

LANGDON

Inc.

Sure-Clamp™ Spiral Pipe & Fittings



9865 WAYNE AVENUE • CINCINNATI, OHIO 45215
PHONE (513) 733-5955 FAX (513) 733-8050

<http://www.langdonsheetmetal.com>

Sure•Clamp™ Spiral

LANGDON
Inc.

9865 Wayne Avenue • Cincinnati, Ohio 45215

Phone (513) 733-5955 Fax (513) 733-5955

Sure•Clamp™ Spiral, a clamp together modular ductwork system. Our new (patented) connection is constructed using a precision fabricated clamp with a silicone sponge gasket and zinc coated latch. With Sure•Clamp™ Spiral, complete systems can be installed with ease and taken apart and reassembled just as easy.

Imagine ductwork components that can be maintained or changed at a low cost to your customer. Sure•Clamp™ Spiral has many applications, such as Lab Hoods, HVAC, Dust, Fume and Dryer Vent systems. Langdon fabricates ductwork to SMACNA construction standards as well as specialty systems. Sure•Clamp™ Spiral is available in galvanized, galvaneal and stainless steel in even and odd sizes from 3" to 22". Sure•Clamp™ is also available in longitudinal seam ductwork.

Diameter

Even and Odd Sizes 4" to 22"

Static Pressure

Negative Pressure to 20" W.G.

Spiral Ductwork

24 - 22 - 20 Gauge

Continuous Welded

18 - 16 - 14 Gauge

Materials

Galvanized
Galvaneal
Stainless Steel
PCD (polyvinyl coated ductwork)

Sure Class Products

Sure•Seal™ Spiral
Sure•Clamp™ Double Wall
Sure•Clamp™ Access (Round)
Sure•Clamp™ Access (Rect.)



- Application: Lab Hoods, HVAC, Dust, Fume and Dryer Vent systems.
- The advantage of Sure Clamp Spiral is a manufactured system with low leakage rates.
- A duct system that is properly sealed can make your work environment safer, more comfortable and energy efficient.
- Our gasketed clamping system will give you a sealed system and finished look for exposed areas.
- Continuous Welded Sure•Clamp™ Ductwork is also available.

<http://www.langdonsheetmetal.com>

Sure•Clamp™ Spiral Energy Savings

Sure•Clamp™ 12" diameter test results

(AirTab International Certified Tab Report 3-18-10, Page 16)

Test results for 10" wg positive pressure had .53 cfm leakage for 100 square feet of 12" dia ductwork
 Test results for 10" wg negative pressure had .60 cfm leakage for 100 square feet of 12" dia ductwork

Sure•Clamp™ Leakage For 10" Positive Pressure

CFM	\$ CFM	\$ for 100 sqft	\$ for 1,000 sqft	\$ for 10,000 sqft	Leakage
0.53	X \$5.00	= \$2.65	\$26.50	\$265.00	\$ per year

Sure•Clamp™ Leakage For 10" Negative Pressure

CFM	\$ CFM	\$ for 100 sqft	\$ for 1,000 sqft	\$ for 10,000 sqft	Leakage
0.60	X \$5.00	= \$3.00	\$30.00	\$300.00	\$ per year

Average cost to heat and cool 1 cfm for 1 year is \$ 5.00

SMACNA Construction Standards

SMACNA maximum allowable leakage is 13.50 cfm for 100 square feet of 12" diameter ductwork

SMACNA Standards Allowable Leakage

CFM	\$ CFM	\$ for 100 sqft	\$ for 1,000 sqft	\$ for 10,000 sqft	Leakage
13.50	X \$5.00	= \$67.50	\$675.00	\$6,750.00	\$ per year

Average cost to heat and cool 1 cfm for 1 year is \$ 5.00

Tapes and mastic are conventional choices for sealing ductwork and the most cost effective time to seal ductwork is at installation of system. The cost of restoring systems not receiving the required sealing or not being properly sealed can greatly exceed the cost of a proper application. The transverse ductwork joint may have up to a 3/16" gap around circumference of the duct that will have to be sealed in the field and SMACNA does not recommended that duct system constructed to 3" wg class or lower be leak tested. Concerns for energy conservation, humidity control, space temperature control, room air movement, necessitate regulating leakage by prescriptive measures in SMACNA Construction Standards. *Leakage is largely a function of static pressure and the amount of leakage in a system is significantly related to system size.* Adequate airtightness can normally be ensured by **a.** selecting a static pressure, construction class suitable for the operating condition and **b.** sealing ductwork properly. If the ductwork system is not properly sealed this will result in air leakage above ceiling, energy loss and higher utility costs. **The advantage of Sure•Clamp™ Spiral is a manufactured system with low leakage rates, this eliminates field workmanship, sealant application and leak testing.**

Sure-Clamp™ Double Wall Spiral

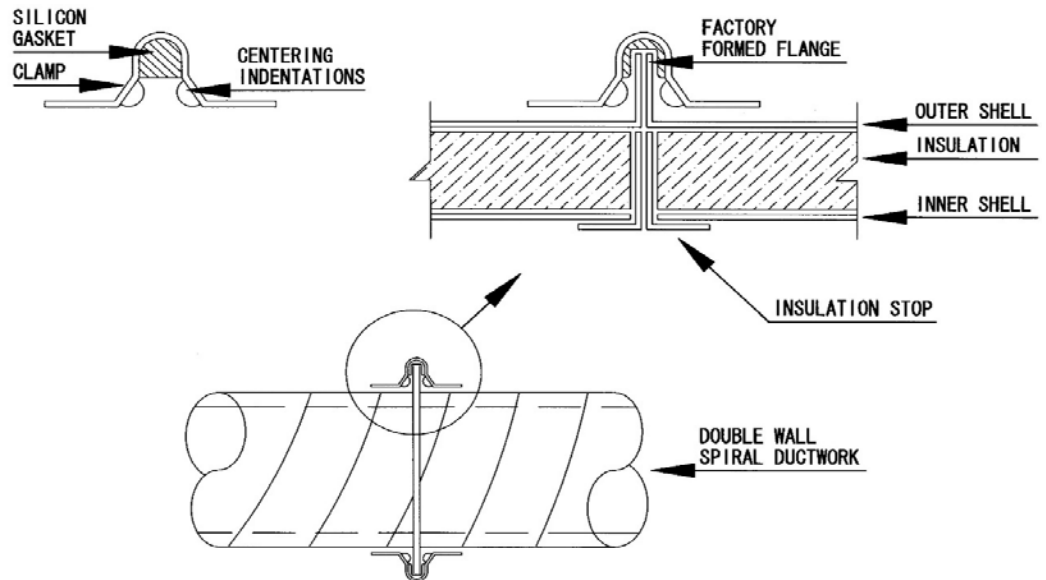
Product Overview

Our new (**patented**) connection is constructed using a precision fabricated clamp with a silicone sponge gasket. With Sure-Clamp™ Double Wall Spiral, complete systems can be installed with ease and taken apart and reassembled just as easy, imagine a ductwork system that can be maintained or changed at a low cost to your customer. Assembly is simple and reliable, simply place the sections together, slide the clamp in place over the flange and clamp shut. Fittings assemble just as easy and there is no messy sealer to apply. Langdon fabricates ductwork to SMACNA construction standards as well as specialty systems. Sure-Clamp™ Spiral Double Wall is available in galvanized, galvaneal, stainless steel and PCD (polyvinyl coated ductwork) in even and odd sizes from 4" to 22".

Assembly is simple and reliable.

Simply place the sections together, slide the clamp in place over the flange and clamp shut. Fittings assemble just as easy and there is no messy sealer to apply, simply nothing else to do except move on to the next piece.

Standard Gasketed Clamp Profiles



Galvanized Gauge Chart

Positive Pressure to 10" W.G.

Diameter	Fitting	Spiral	Solid or Perforated Inner Liner
4" - 12"	22 Gauge	22 Gauge	26 Gauge
13" - 22"	20 Gauge	20 Gauge	

The Benefit of Sure-Clamp™ Double Wall Spiral is a quality product at a cost effective price.

Typical HVAC double wall spiral is fabricated with an inner and outer slip connection, after field assembly of double wall spiral pipe and fittings duct sealer is applied to the outer connection. Langdon can reduce installation costs by eliminating a sometime difficult inner and outer connection and sealing requirements, with the ease and speed of our clamping system. Simply place the sections together, slide the clamp in place over the flange and clamp shut. Our gasketed clamping system will give you a finished look for exposed areas and allow future removal of ductwork for inspection or cleaning of the system.

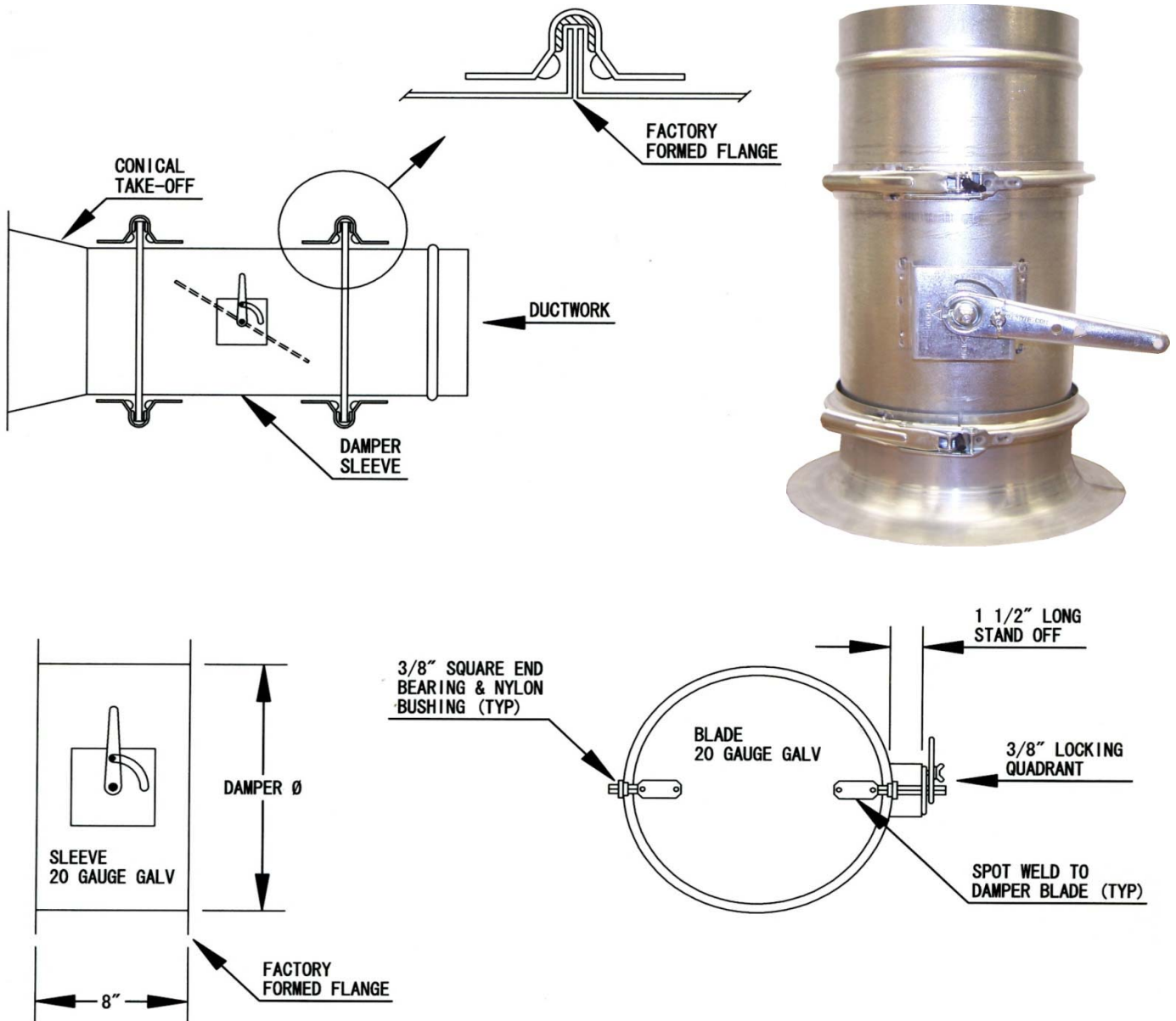
www.langdonsheetmetal.com

Sure-Clamp™ Take Off Damper

The benefits of Sure-Clamp™ Take Off Damper is a quality product at a cost effective price.

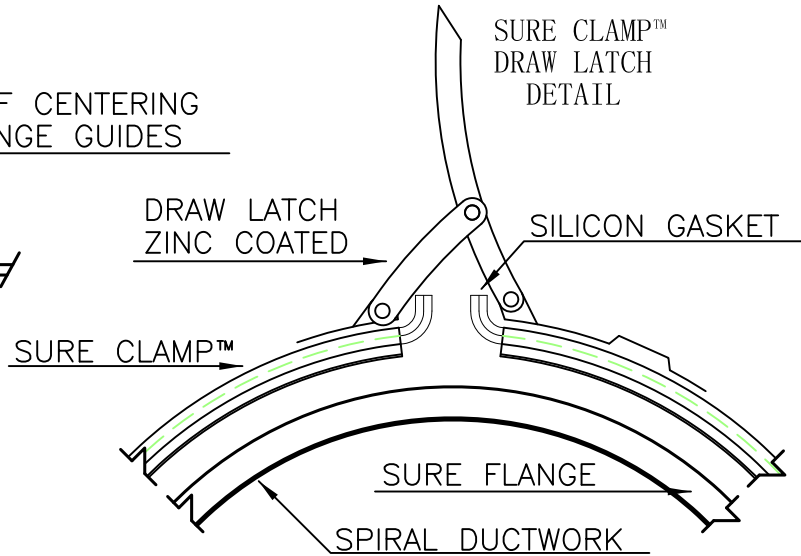
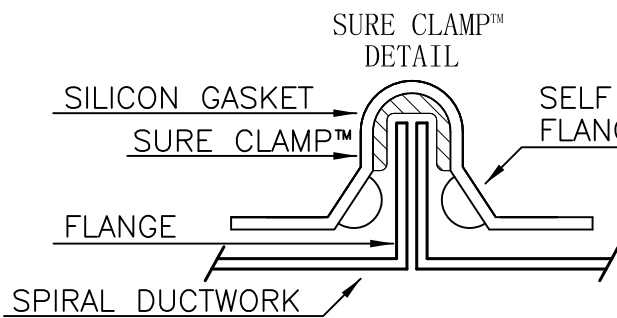
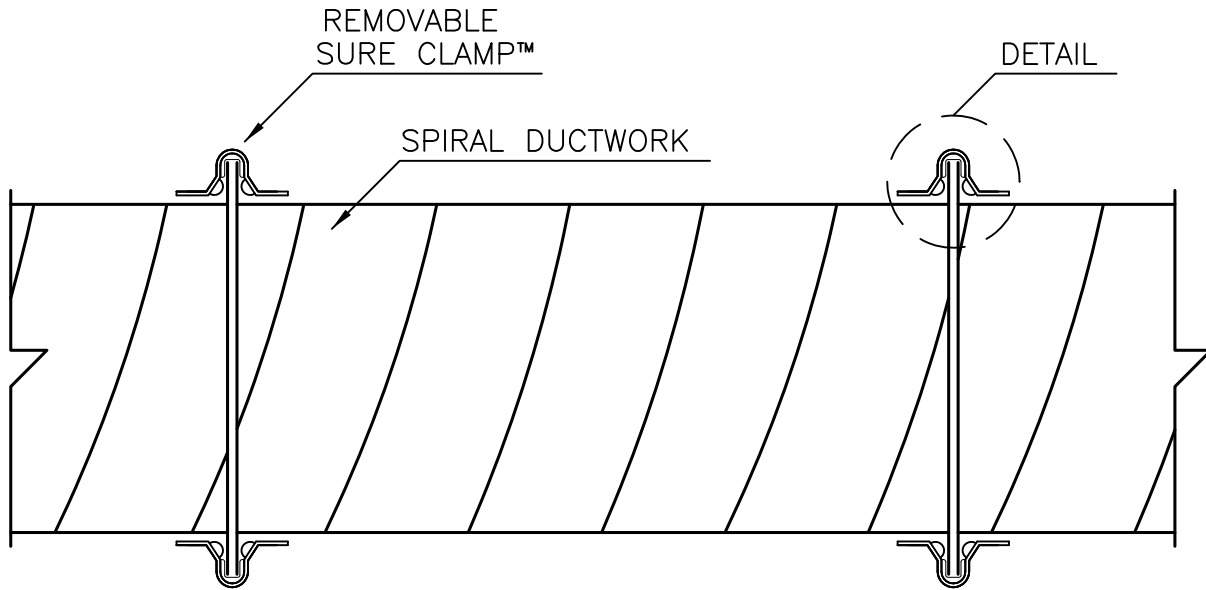
Product Overview

Langdon's Sure Clamp™ Take Off Damper is a high efficiency take off that is fabricated using a conical tap collar. Our medium duty manual balancing damper and sleeve is constructed of 20 GA galvanized metal with 3/8" end bearings and nylon bushing, this will reduce air leakage and minimize damper vibration. The 1-1/2" standoff on dampers sleeve allow access to the heavy duty locking dial regulator after ductwork is externally insulated. Our clamping system will give you a finished look for exposed areas and allow future removal of the damper for inspection and or cleaning of the ductwork system. Sure-Clamp™ and TDC connections can also be used to allow access for other components in the ductwork system. Sure Clamp™ Take Off Dampers are available in galvanized, galvanneal, stainless steel and PCD (polyvinyl coated ductwork) in even and odd sizes from 6" to 22".



www.langdonsheetmetal.com

SUBMITTAL SURE • CLAMP™ (PATENTED)



CONTINUOUS WELDED

CONTINUOUS WELDED SURE CLAMP
DUCTWORK IS AVAILABLE ON REQUEST
18-16-14 GAUGE

**GALVANIZED SPIRAL & FITTING GAUGE CHART
UNREINFORCED**

NEGATIVE PRESSURE TO 20" W.G.		
DIAMETER	FITTING	SPIRAL
4"-12"	22 GAUGE	22 GAUGE
13"-22"	20 GAUGE	20 GAUGE

**STAINLESS STEEL SPIRAL & FITTING GAUGE CHART
REINFORCE PER SMACNA STANDARDS**

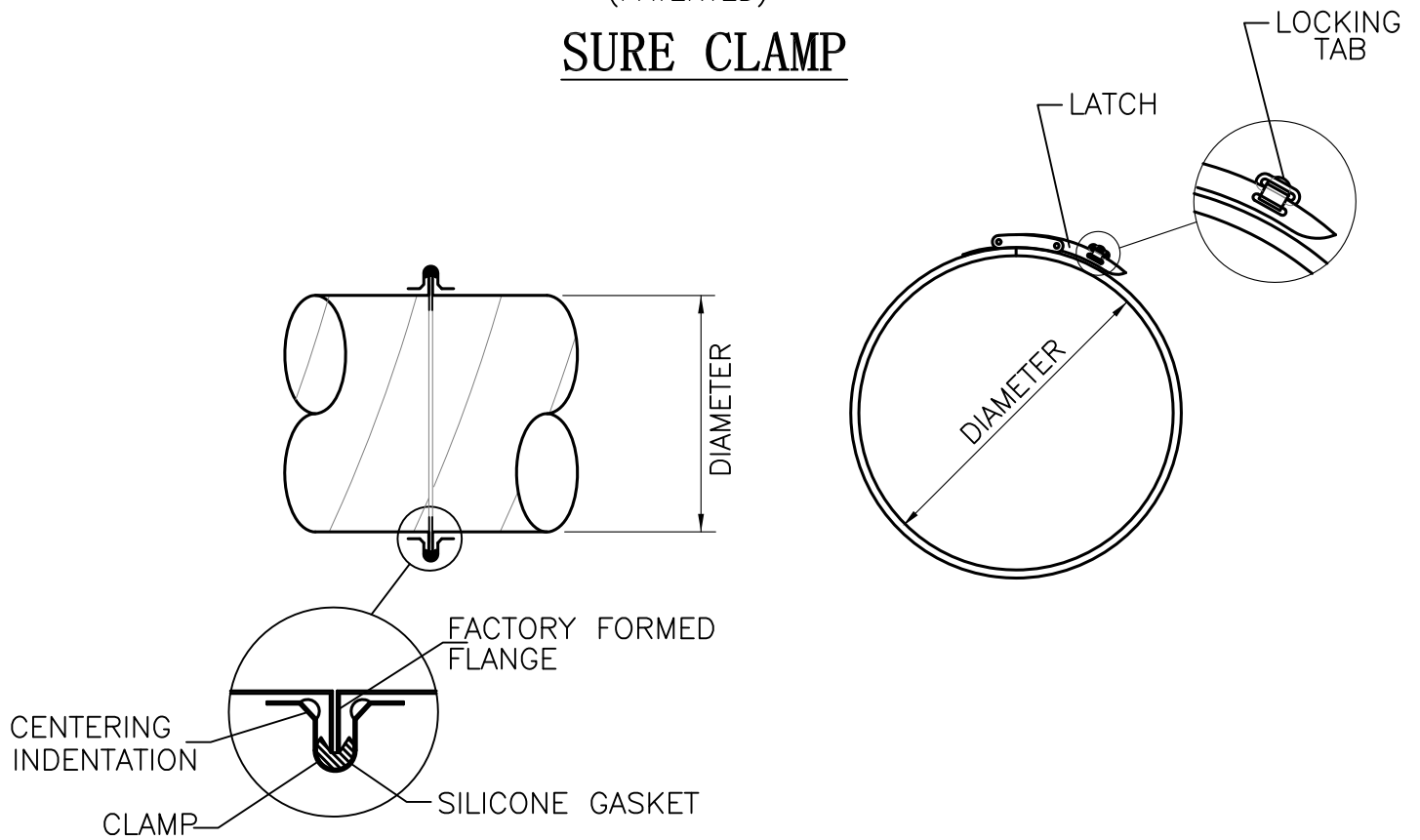
NEGATIVE PRESSURE TO 10" W.G.		
DIAMETER	FITTING	SPIRAL
4"-12"	24 GAUGE	24 GAUGE
13"-22"	22 GAUGE	22 GAUGE

www.langdonsheetmetal.com

Cincinnati, Ohio. 45215
The above mentioned product, is protected by patents and trade marks
All Rights Reserved updated 2/15/13

SUBMITTAL SURE • CLAMP (PATENTED)

SURE CLAMP



SYSTEM NUMBER/AREA : _____
 MATERIAL TYPE : _____

QTY. DIAMETER

_____	_____
_____	_____
_____	_____
_____	_____
_____	_____
_____	_____
_____	_____
_____	_____
_____	_____
_____	_____

FABRICATE IN ACCORDANCE WITH
 LANGDONS CONSTRUCTION STANDARDS

ZINC COATED LATCHES ARE PROVIDED
 FOR GALVANIZED AND STAINLESS
 STEEL CLAMPS.

INSTALL LOCKING TABS TO SECURE
 SURE CLAMP HANDLE



STANDARD SIZES 4"Ø THRU 22"Ø

www.langdonsheetmetal.com

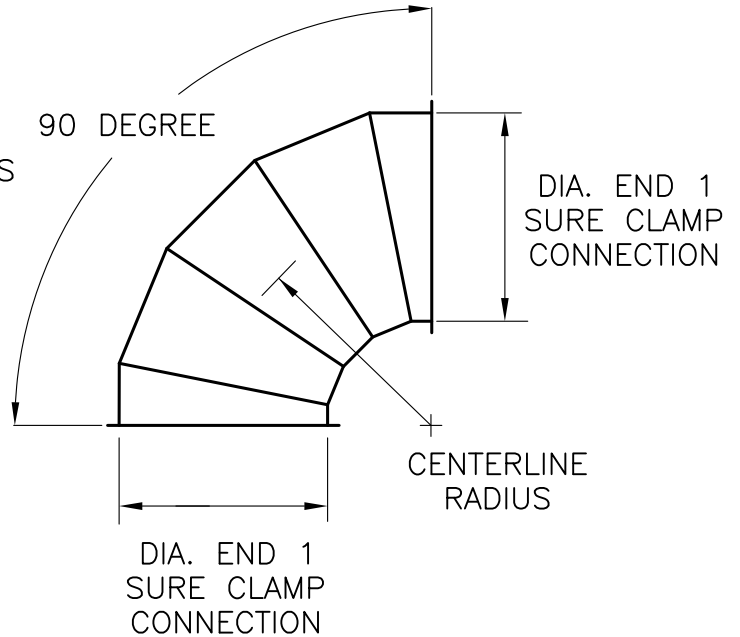
SUBMITTAL

SURE • CLAMP SPIRAL FITTINGS

(PATENTED)

#52 ELBOWS

*SPECIFY
CUSTOM DEGREE
&
CENTERLINE RADIUS

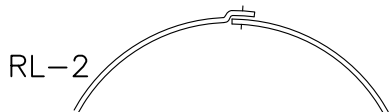


SYSTEM NUMBER/AREA : _____
MATERIAL/STATIC WG : _____

FABRICATE IN ACCORDANCE WITH
SMACNA DUCT CONSTRUCTION STANDARDS

TRANSVERSE JOINT
SURE CLAMP

LONGITUDINAL SEAMS
LAP, SPOTWELD AND SEAL



GORE LOCK
14" DIA. AND LARGER



CENTERLINE RADIUS
1-1/2 X DIAMETER

GORE AMOUNT

- 0-22 DEG. = 2 GORE
- 23-45 DEG. = 3 GORE
- 46-60 DEG. = 4 GORE
- 61-90 DEG. = 5 GORE

<u>TAG</u>	<u>QTY.</u>	<u>DEGREE</u>	<u>DIA END 1</u>
_____	_____	_____	_____
_____	_____	_____	_____
_____	_____	_____	_____
_____	_____	_____	_____
_____	_____	_____	_____
_____	_____	_____	_____
_____	_____	_____	_____
_____	_____	_____	_____
_____	_____	_____	_____
_____	_____	_____	_____

STANDARD SIZES 4"Ø THRU 22"Ø

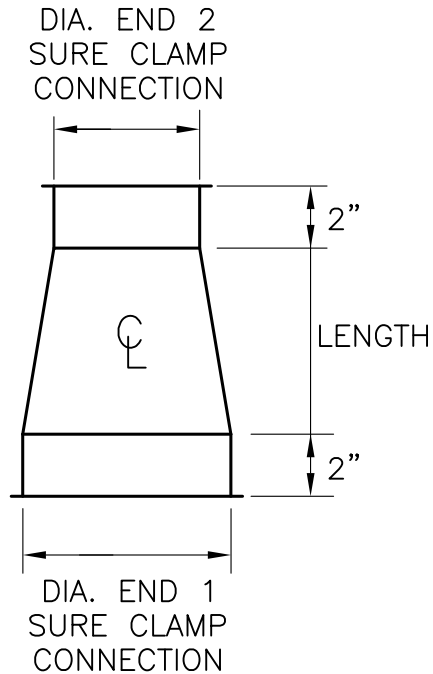
www.langdonsheetmetal.com

SUBMITTAL

SURE • CLAMP SPIRAL FITTINGS

(PATENTED)

#57 CONCENTRIC REDUCER



SYSTEM NUMBER/AREA : _____
 MATERIAL/STATIC WG : _____

TAG

QTY.

DIA. END 1

DIA END 2

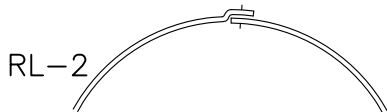
FABRICATE IN ACCORDANCE WITH
 SMACNA DUCT CONSTRUCTION STANDARDS

TRANSVERSE JOINT

SURE CLAMP

LONGITUDINAL SEAMS

LAP, SPOTWELD AND SEAL



LENGTH (4" MINIMUM)
 END 1 - END 2

STANDARD SIZES 4"Ø THRU 22"Ø

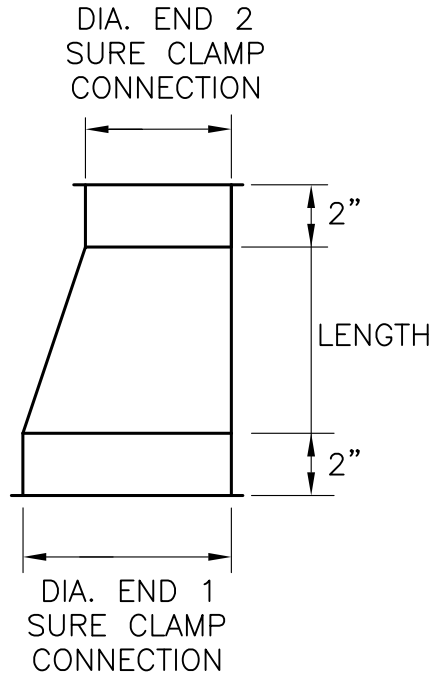
www.langdonsheetmetal.com

SUBMITTAL

SURE • CLAMP SPIRAL FITTINGS

(PATENTED)

#69 ECENTRIC REDUCER



SYSTEM NUMBER/AREA : _____
 MATERIAL/STATIC WG : _____

TAG

QTY.

DIA. END 1

DIA END 2

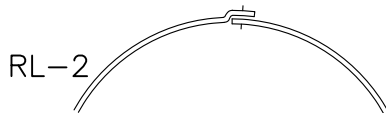
FABRICATE IN ACCORDANCE WITH
 SMACNA DUCT CONSTRUCTION STANDARDS

TRANSVERSE JOINT

SURE CLAMP

LONGITUDINAL SEAMS

LAP, SPOTWELD AND SEAL



LENGTH (4" MINIMUM)

(END 1 - END 2) x 2

STANDARD SIZES 4"Ø THRU 22"Ø

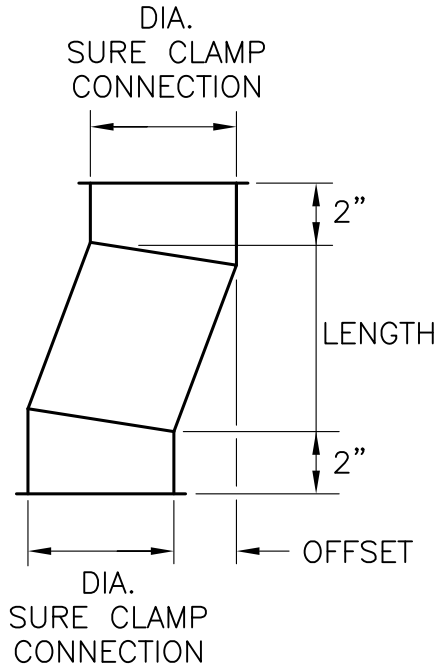
www.langdonsheetmetal.com

SUBMITTAL

SURE • CLAMP SPIRAL FITTINGS

(PATENTED)

#53 OFFSET



	<u>TAG</u>	<u>QTY.</u>	<u>DIA.</u>	<u>OFFSET</u>
SYSTEM NUMBER/AREA : _____				
MATERIAL/STATIC WG : _____				
FABRICATE IN ACCORDANCE WITH SMACNA DUCT CONSTRUCTION STANDARDS				
<u>TRANSVERSE JOINT</u> SURE CLAMP				
<u>LONGITUDINAL SEAMS</u> LAP, SPOTWELD AND SEAL				
RL-2				
<u>LENGTH (6" MINIMUM)</u> OFFSET X 2				

STANDARD SIZES 4"Ø THRU 22"Ø

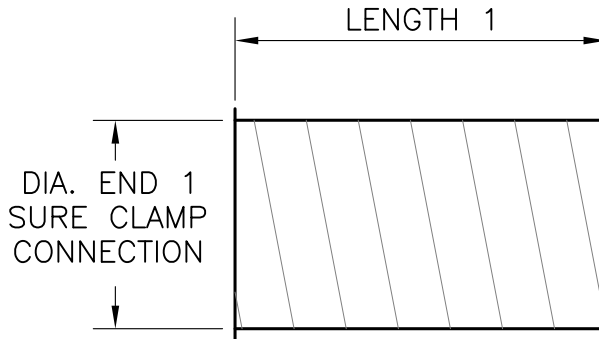
www.langdonsheetmetal.com

SUBMITTAL

SURE • CLAMP SPIRAL DUCTWORK

(PATENTED)

#100S SPIRAL DUCTWORK



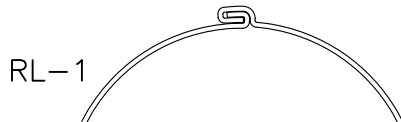
SYSTEM NUMBER/AREA : _____
 MATERIAL/STATIC WG : _____

TAG QTY. DIA. END 1 LENGTH 1

FABRICATE IN ACCORDANCE WITH
 SMACNA DUCT CONSTRUCTION STANDARDS

TRANSVERSE JOINT
 SURE CLAMP

LONGITUDINAL SEAM
 SPIRAL SEAM



STANDARD SIZES 4"Ø THRU 22"Ø

LENGTH 1 = 10' MAX. 14" MIN.

SPECIAL LENGTHS AVAILABLE UPON REQUEST

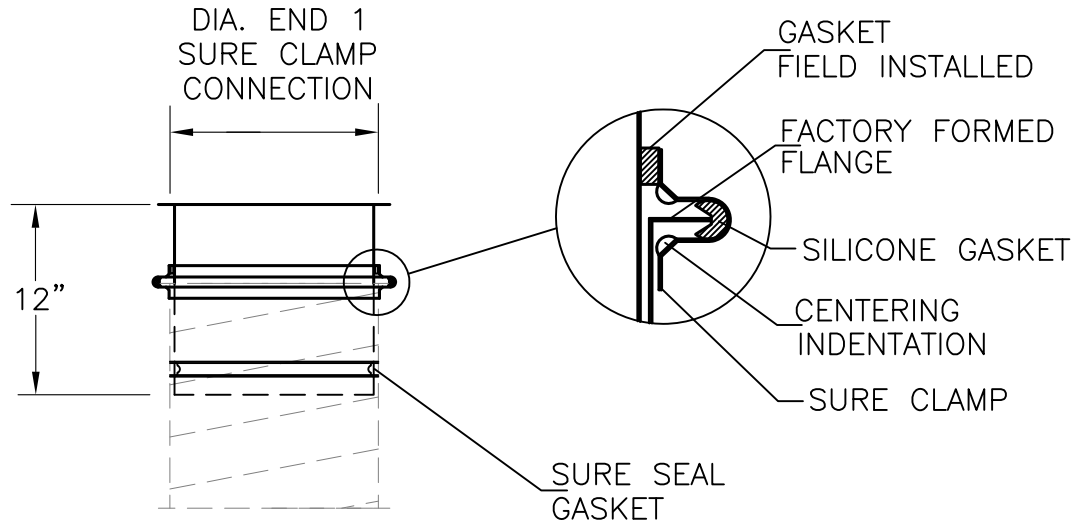
_____	_____	_____	_____
_____	_____	_____	_____
_____	_____	_____	_____
_____	_____	_____	_____
_____	_____	_____	_____
_____	_____	_____	_____
_____	_____	_____	_____
_____	_____	_____	_____
_____	_____	_____	_____
_____	_____	_____	_____
_____	_____	_____	_____
_____	_____	_____	_____
_____	_____	_____	_____
_____	_____	_____	_____
_____	_____	_____	_____
_____	_____	_____	_____
_____	_____	_____	_____
_____	_____	_____	_____
_____	_____	_____	_____
_____	_____	_____	_____
_____	_____	_____	_____
_____	_____	_____	_____
_____	_____	_____	_____

www.langdonsheetmetal.com

Langdon, Inc.: 9865 Wayne Avenue, Cincinnati, Ohio, 45215 Ph. 513-733-5955 Fax. 513-733-8050
 The above mentioned product, is protected by patents and trade marks
 copyright 2008 All Rights Reserved updated 12/17/12

SUBMITTAL SURE • CLAMP SPIRAL FITTINGS (PATENTED)

#100 ADJ-12 SPIRAL 12" ADJUSTABLE LENGTH END



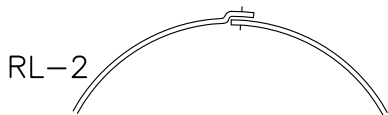
MECHANICAL FASTENERS
MAY BE REQUIRED

SYSTEM NUMBER/AREA : _____
MATERIAL/STATIC WG : _____

FABRICATE IN ACCORDANCE WITH
SMACNA DUCT CONSTRUCTION STANDARDS

TRANSVERSE JOINT
SURE CLAMP

LONGITUDINAL SEAMS
LAP, SPOTWELD AND SEAL



STANDARD SIZES 4"Ø THRU 22"Ø

NOTE: NOT RECOMMENDED FOR
VERTICAL DUCTWORK.

TAG	QTY.	DIA. END 1
_____	_____	_____
_____	_____	_____
_____	_____	_____
_____	_____	_____
_____	_____	_____
_____	_____	_____
_____	_____	_____
_____	_____	_____
_____	_____	_____
_____	_____	_____
_____	_____	_____

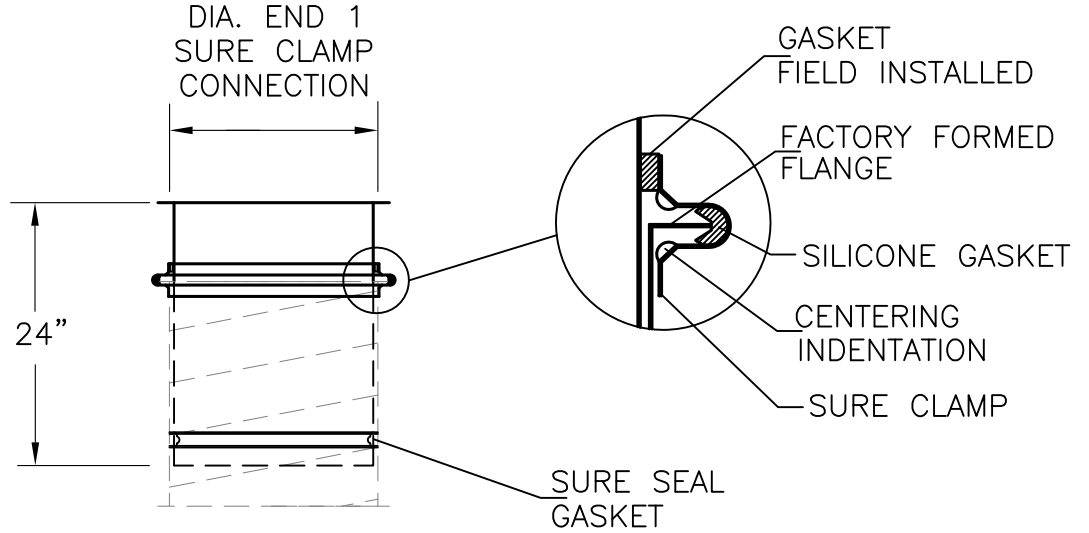
www.langdonsheetmetal.com

SUBMITTAL

SURE • CLAMP SPIRAL FITTINGS

(PATENTED)

#100 ADJ-24 SPIRAL 24" ADJUSTABLE LENGTH END



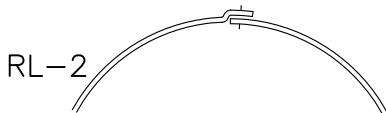
MECHANICAL FASTENERS
MAY BE REQUIRED

SYSTEM NUMBER/AREA : _____ TAG QTY. DIA. END 1
 MATERIAL/STATIC WG : _____

FABRICATE IN ACCORDANCE WITH
SMACNA DUCT CONSTRUCTION STANDARDS

TRANSVERSE JOINT
SURE CLAMP

LONGITUDINAL SEAMS
LAP, SPOTWELD AND SEAL



STANDARD SIZES 4"φ THRU 22"φ

NOTE: NOT RECOMMENDED FOR
VERTICAL DUCTWORK.

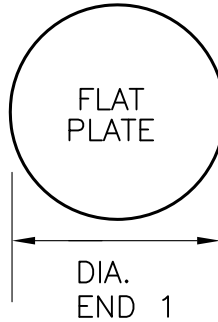
TAG	QTY.	DIA. END 1

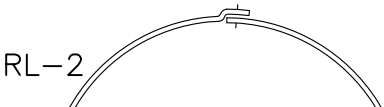
SUBMITTAL

SURE • CLAMP SPIRAL FITTINGS

(PATENTED)

#02 END CAP



	<u>TAG</u>	<u>QTY.</u>	<u>DIA. END 1</u>
SYSTEM NUMBER/AREA : _____	_____	_____	_____
MATERIAL/STATIC WG : _____	_____	_____	_____
FABRICATE IN ACCORDANCE WITH SMACNA DUCT CONSTRUCTION STANDARDS			
<u>TRANSVERSE JOINT</u>	_____	_____	_____
SURE CLAMP	_____	_____	_____
<u>LONGITUDINAL SEAMS</u>	_____	_____	_____
LAP, SPOTWELD AND SEAL	_____	_____	_____
RL-2 	_____	_____	_____
STANDARD SIZES 4"Ø THRU 22"Ø	_____	_____	_____

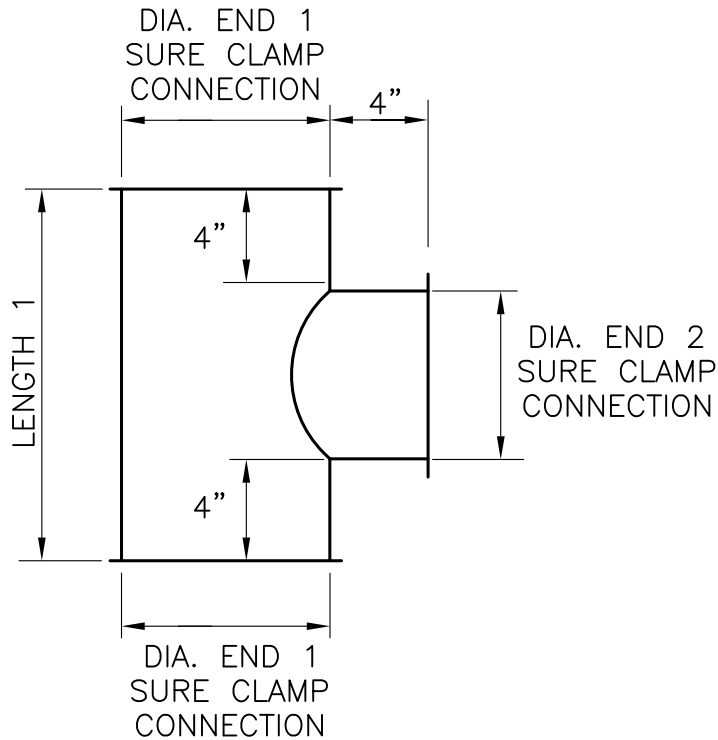
www.langdonsheetmetal.com

SUBMITTAL

SURE • CLAMP SPIRAL FITTINGS

(PATENTED)

#55 STRAIGHT 90 DEGREE TEE

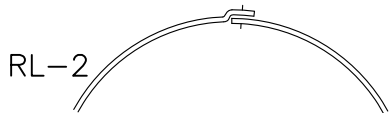


SYSTEM NUMBER/AREA : _____	<u>TAG</u>	<u>QTY.</u>	<u>DIA. END 1</u>	<u>DIA. END 2</u>
MATERIAL/STATIC WG : _____				

FABRICATE IN ACCORDANCE WITH
SMACNA DUCT CONSTRUCTION STANDARDS

TRANSVERSE JOINT
SURE CLAMP

LONGITUDINAL SEAMS
LAP, SPOTWELD AND SEAL



LENGTH 1
END 2 + 8"

STANDARD SIZES 4"Ø THRU 22"Ø

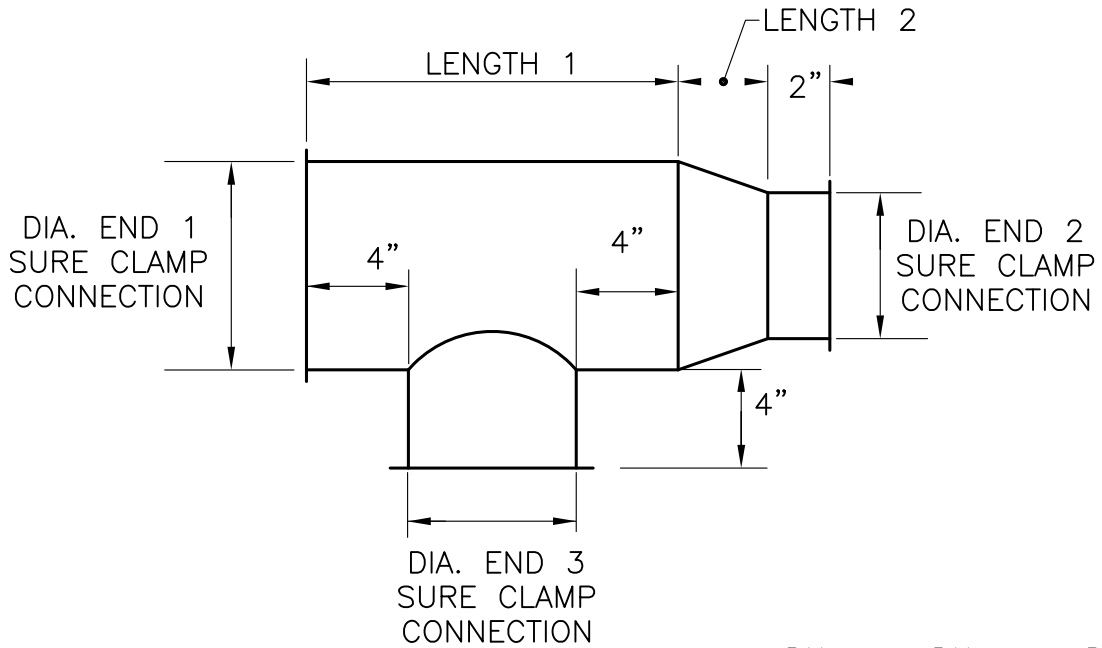
www.langdonsheetmetal.com

SUBMITTAL

SURE • CLAMP SPIRAL FITTINGS

(PATENTED)

#65 CONCENTRIC REDUCING TEE 90 DEGREE

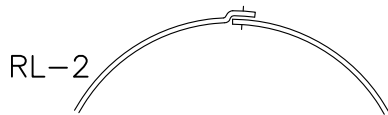


SYSTEM NUMBER/AREA :	TAG	QTY.	DIA. END 1	DIA. END 2	DIA. END 3
MATERIAL/STATIC WG :					

FABRICATE IN ACCORDANCE WITH
SMACNA DUCT CONSTRUCTION STANDARDS

TRANSVERSE JOINT
SURE CLAMP

LONGITUDINAL SEAMS
LAP, SPOTWELD AND SEAL



LENGTH 1
END 3 + 8"

LENGTH 2 (4" MINIMUM)
END 1 - END 2

STANDARD SIZES 4"Ø THRU 22"Ø

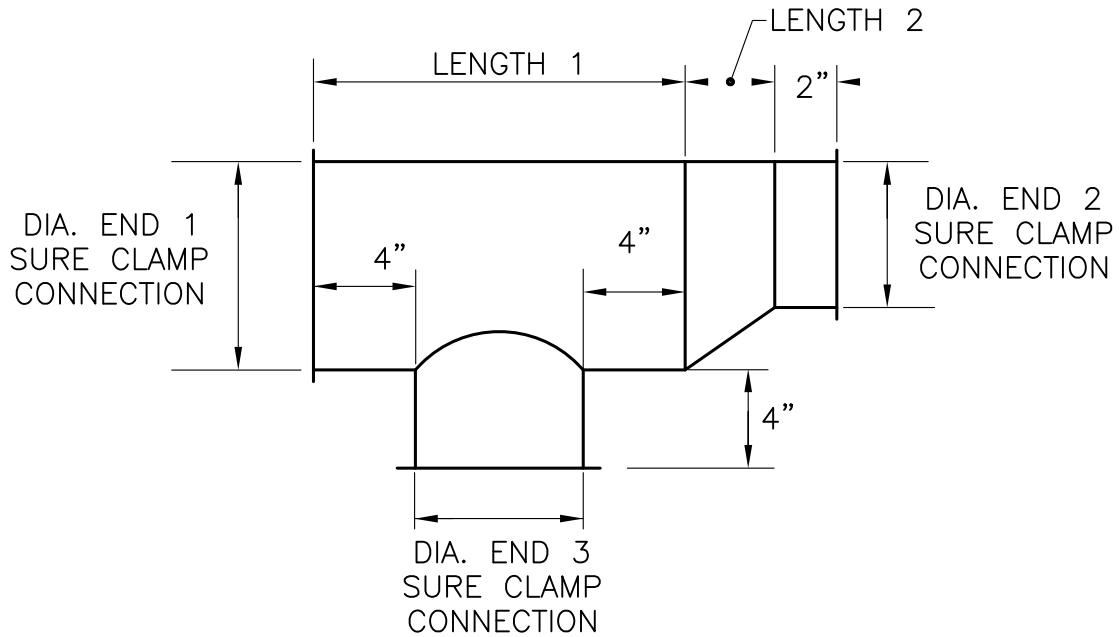
www.langdonsheetmetal.com

SUBMITTAL

SURE • CLAMP SPIRAL FITTINGS

(PATENTED)

#65F ECCENTRIC REDUCING TEE 90 DEGREE

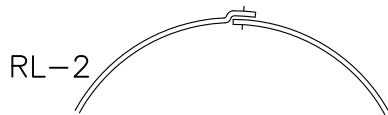


SYSTEM NUMBER/AREA :	TAG	QTY.	DIA. END 1	DIA. END 2	DIA. END 3
MATERIAL/STATIC WG :					

FABRICATE IN ACCORDANCE WITH
SMACNA DUCT CONSTRUCTION STANDARDS

TRANSVERSE JOINT
SURE CLAMP

LONGITUDINAL SEAMS
LAP, SPOTWELD AND SEAL



LENGTH 1
END 3 + 8"

LENGTH 2 (4" MINIMUM)
(END 1 - END 2) X 2

STANDARD SIZES 4"Ø THRU 22"Ø

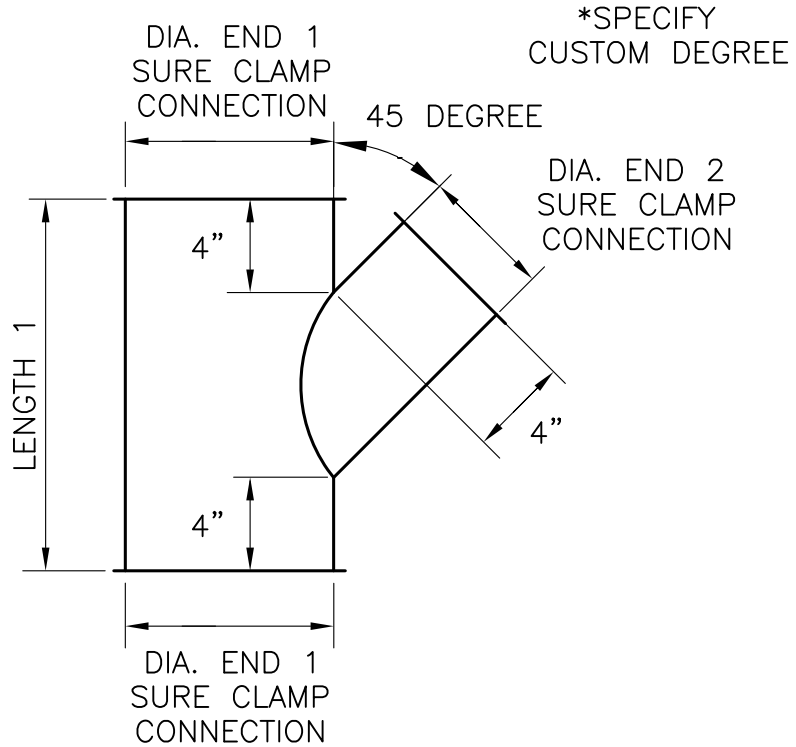
www.langdonsheetmetal.com

SUBMITTAL

SURE • CLAMP SPIRAL FITTINGS

(PATENTED)

#54 LATERAL



*SPECIFY
CUSTOM DEGREE

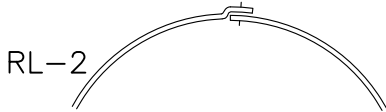
SYSTEM NUMBER/AREA : _____
MATERIAL/STATIC WG : _____

TAG	QTY.	DIA. END 1	DIA. END 2
_____	_____	_____	_____
_____	_____	_____	_____
_____	_____	_____	_____
_____	_____	_____	_____
_____	_____	_____	_____
_____	_____	_____	_____
_____	_____	_____	_____
_____	_____	_____	_____
_____	_____	_____	_____
_____	_____	_____	_____
_____	_____	_____	_____
_____	_____	_____	_____
_____	_____	_____	_____
_____	_____	_____	_____
_____	_____	_____	_____
_____	_____	_____	_____
_____	_____	_____	_____
_____	_____	_____	_____
_____	_____	_____	_____
_____	_____	_____	_____
_____	_____	_____	_____
_____	_____	_____	_____

FABRICATE IN ACCORDANCE WITH
SMACNA DUCT CONSTRUCTION STANDARDS

TRANSVERSE JOINT
SURE CLAMP

LONGITUDINAL SEAMS
LAP, SPOTWELD AND SEAL



LENGTH 1

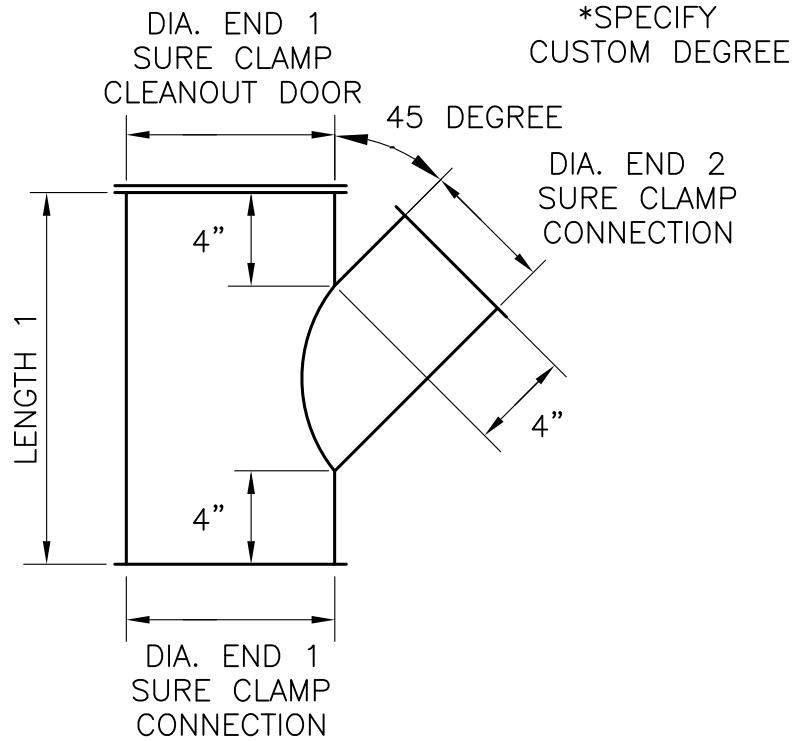
45 DEGREE: DIA. END 2 X (1.41) + 8
30 DEGREE: DIA. END 2 X (2) + 8

STANDARD SIZES 4"Ø THRU 22"Ø

www.langdonsheetmetal.com

SUBMITTAL SURE • CLAMP SPIRAL FITTINGS (PATENTED)

#54 LATERAL/CLEANOUT DOOR



*SPECIFY
CUSTOM DEGREE

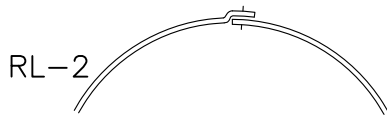
SYSTEM NUMBER/AREA : _____
MATERIAL/STATIC WG : _____

<u>TAG</u>	<u>QTY.</u>	<u>DIA.</u> <u>END 1</u>	<u>DIA.</u> <u>END 2</u>
------------	-------------	-----------------------------	-----------------------------

FABRICATE IN ACCORDANCE WITH
SMACNA DUCT CONSTRUCTION STANDARDS

TRANSVERSE JOINT
SURE CLAMP

LONGITUDINAL SEAMS
LAP, SPOTWELD AND SEAL



LENGTH 1

45 DEGREE: DIA. END 2 X (1.41) + 8
30 DEGREE: DIA. END 2 X (2) + 8

STANDARD SIZES 4"Ø THRU 22"Ø

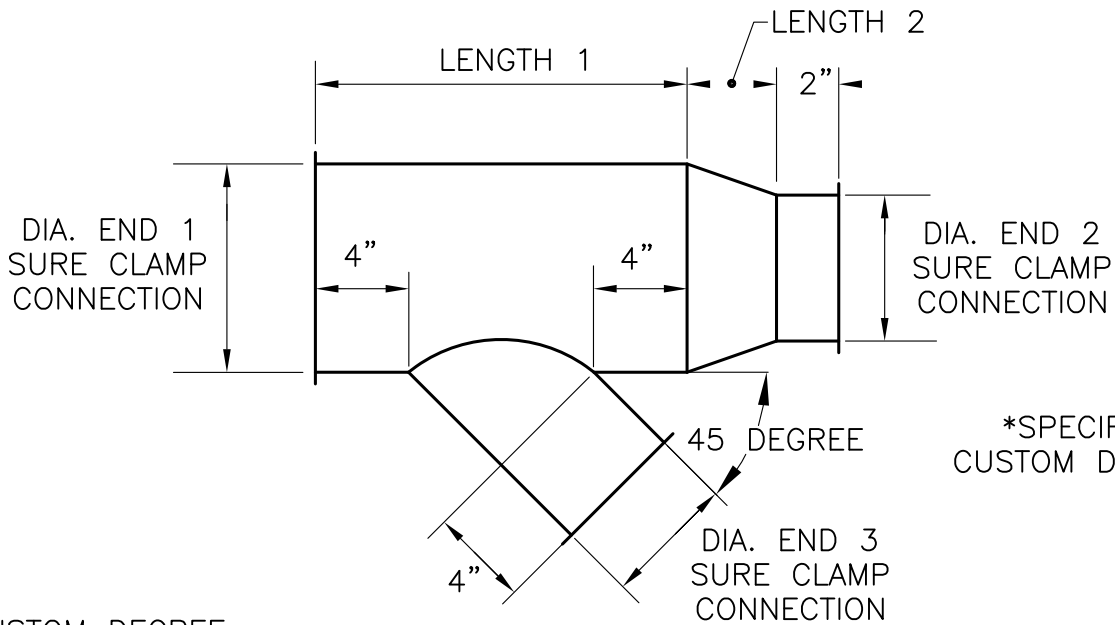
www.langdonsheetmetal.com

SUBMITTAL

SURE • CLAMP SPIRAL FITTINGS

(PATENTED)

#63 REDUCING LATERAL



*SPECIFY CUSTOM DEGREE

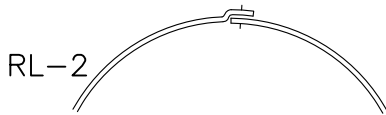
*SPECIFY CUSTOM DEGREE

SYSTEM NUMBER/AREA :	TAG	QTY.	DIA. END 1	DIA. END 2	DIA. END 3
MATERIAL/STATIC WG :					

FABRICATE IN ACCORDANCE WITH
SMACNA DUCT CONSTRUCTION STANDARDS

TRANSVERSE JOINT
SURE CLAMP

LONGITUDINAL SEAMS
LAP, SPOTWELD AND SEAL



LENGTH 1

45 DEGREE: DIA. END 3 X (1.41) + 8
30 DEGREE: DIA. END 3 X (2) + 8

LENGTH 2 (4" MINIMUM)
END 1 - END 2

STANDARD SIZES 4"Ø THRU 22"Ø

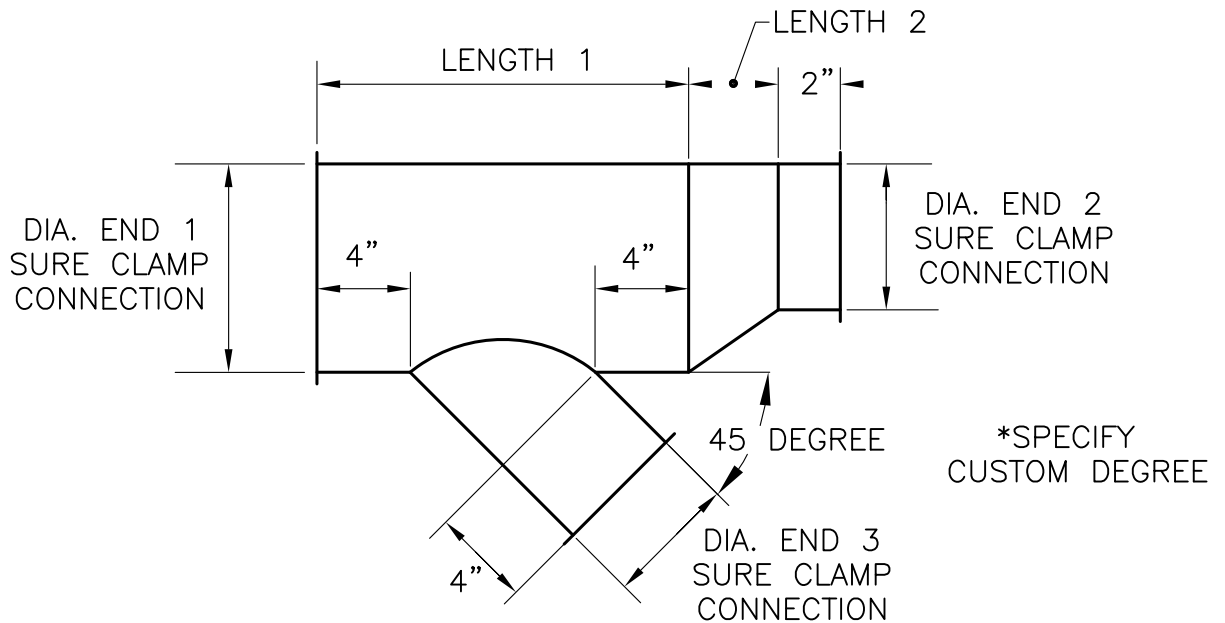
www.langdonsheetmetal.com

SUBMITTAL

SURE • CLAMP SPIRAL FITTINGS

(PATENTED)

#63F ECCENTRIC REDUCING LATERAL

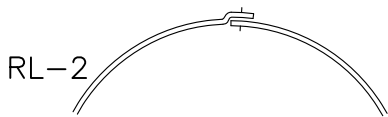


SYSTEM NUMBER/AREA : _____	<u>TAG</u>	<u>QTY.</u>	<u>DIA.</u> <u>END 1</u>	<u>DIA.</u> <u>END 2</u>	<u>DIA.</u> <u>END 3</u>
MATERIAL/STATIC WG : _____	_____	_____	_____	_____	_____

FABRICATE IN ACCORDANCE WITH
SMACNA DUCT CONSTRUCTION STANDARDS

TRANSVERSE JOINT
SURE CLAMP

LONGITUDINAL SEAMS
LAP, SPOTWELD AND SEAL



LENGTH 1

45 DEGREE: DIA. END 3 X (1.41) + 8
30 DEGREE: DIA. END 3 X (2) + 8

LENGTH 2 (4" MINIMUM)
(END 1 - END 2) X 2

STANDARD SIZES 4"Ø THRU 22"Ø

www.langdonsheetmetal.com

SUBMITTAL

SURE • CLAMP SPIRAL FITTINGS

(PATENTED)

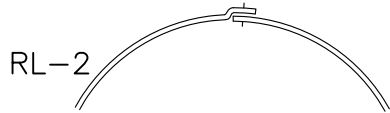
#73 LATERAL CROSS

SYSTEM NUMBER/AREA : _____
 MATERIAL/STATIC WG : _____

FABRICATE IN ACCORDANCE WITH
 SMACNA DUCT CONSTRUCTION STANDARDS

TRANSVERSE JOINT
 SURE CLAMP

LONGITUDINAL SEAMS
 LAP, SPOTWELD AND SEAL

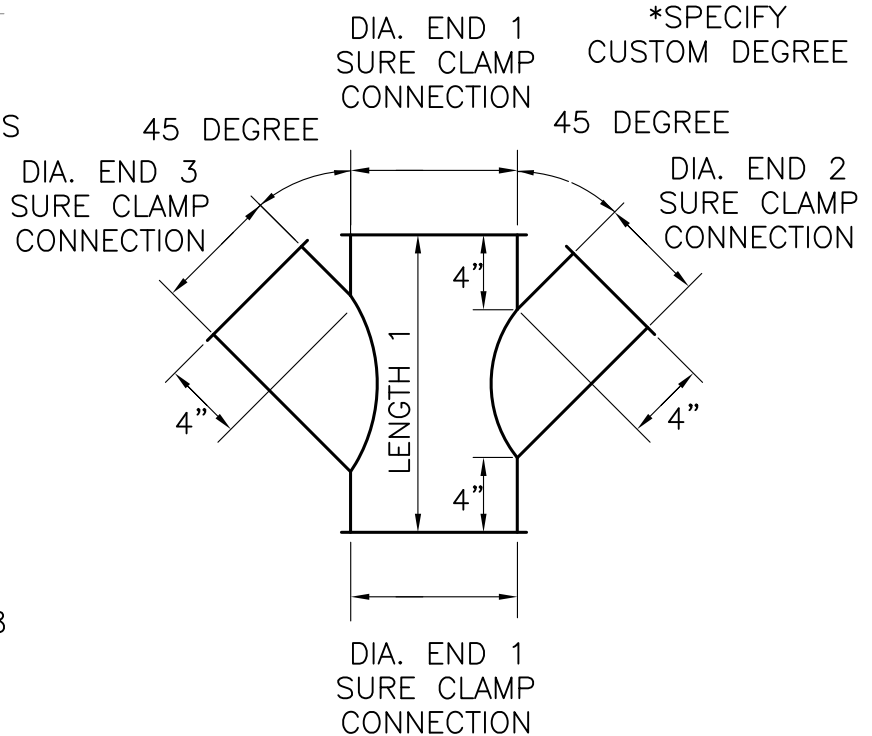


LENGTH 1

45 DEGREE: DIA. END 3 X (1.41) + 8

30 DEGREE: DIA. END 3 X (2) + 8

STANDARD SIZES 4"Ø THRU 22"Ø



*SPECIFY
 CUSTOM DEGREE

<u>TAG</u>	<u>QTY.</u>	<u>DIA. END 1</u>	<u>DIA END 2</u>	<u>DIA END 3</u>
_____	_____	_____	_____	_____
_____	_____	_____	_____	_____
_____	_____	_____	_____	_____
_____	_____	_____	_____	_____
_____	_____	_____	_____	_____
_____	_____	_____	_____	_____
_____	_____	_____	_____	_____
_____	_____	_____	_____	_____
_____	_____	_____	_____	_____
_____	_____	_____	_____	_____
_____	_____	_____	_____	_____
_____	_____	_____	_____	_____
_____	_____	_____	_____	_____
_____	_____	_____	_____	_____

www.langdonsheetmetal.com

SUBMITTAL

SURE • CLAMP SPIRAL FITTINGS

(PATENTED)

#64 REDUCING LATERAL CROSS

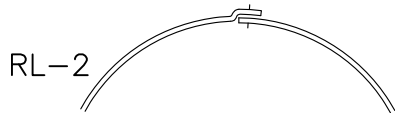
SYSTEM NUMBER/AREA : _____

MATERIAL/STATIC WG : _____

FABRICATE IN ACCORDANCE WITH
SMACNA DUCT CONSTRUCTION STANDARDS

TRANSVERSE JOINT
SURE CLAMP

LONGITUDINAL SEAMS
LAP, SPOTWELD AND SEAL



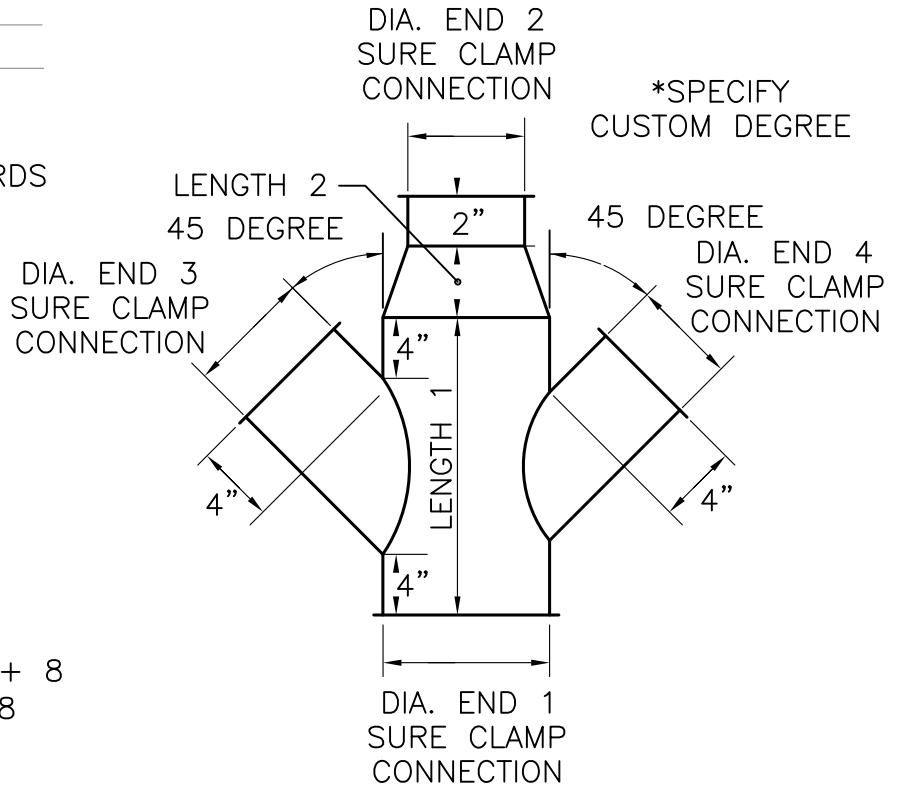
LENGTH 1

45 DEGREE: DIA. END 3 X (1.41) + 8

30 DEGREE: DIA. END 3 X (2) + 8

LENGTH 2 (4" MINIMUM)
END 1 - END 2

STANDARD SIZES 4"Ø THRU 22"Ø



<u>TAG</u>	<u>QTY.</u>	<u>DIA. END 1</u>	<u>DIA END 2</u>	<u>DIA END 3</u>	<u>DIA END 4</u>
_____	_____	_____	_____	_____	_____
_____	_____	_____	_____	_____	_____
_____	_____	_____	_____	_____	_____
_____	_____	_____	_____	_____	_____
_____	_____	_____	_____	_____	_____
_____	_____	_____	_____	_____	_____
_____	_____	_____	_____	_____	_____
_____	_____	_____	_____	_____	_____
_____	_____	_____	_____	_____	_____
_____	_____	_____	_____	_____	_____

www.langdonsheetmetal.com

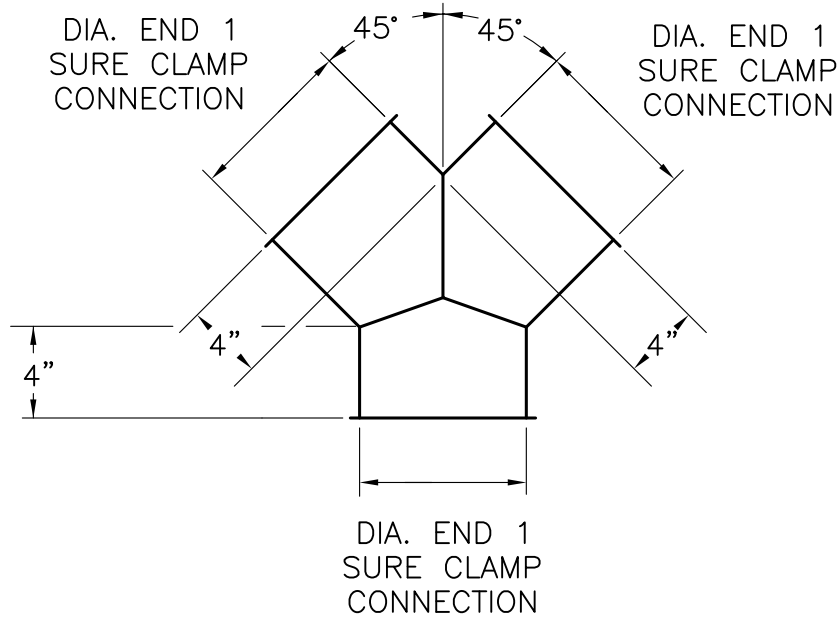
SUBMITTAL

SURE • CLAMP SPIRAL FITTINGS

(PATENTED)

#132A 45° Y BRANCH

*SPECIFY CUSTOM DEGREE



SYSTEM NUMBER/AREA : _____
 MATERIAL/STATIC WG : _____

TAG QTY. DIA. END 1

_____	_____	_____
_____	_____	_____
_____	_____	_____
_____	_____	_____
_____	_____	_____
_____	_____	_____
_____	_____	_____
_____	_____	_____
_____	_____	_____
_____	_____	_____
_____	_____	_____
_____	_____	_____
_____	_____	_____

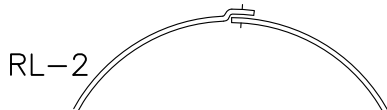
FABRICATE IN ACCORDANCE WITH
 SMACNA DUCT CONSTRUCTION STANDARDS

TRANSVERSE JOINT

SURE CLAMP

LONGITUDINAL SEAMS

LAP, SPOTWELD AND SEAL



STANDARD SIZES 4"Ø THRU 22"Ø

www.langdonsheetmetal.com

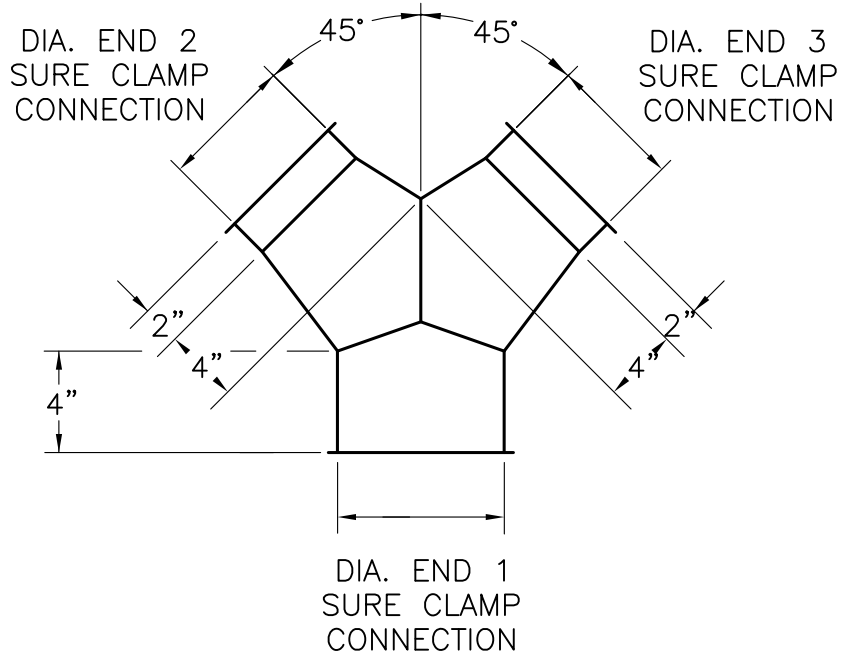
SUBMITTAL

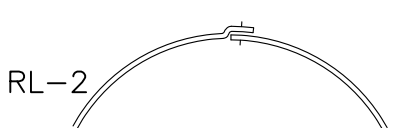
SURE • CLAMP SPIRAL FITTINGS

(PATENTED)

#132 45° Y BRANCH REDUCING

*SPECIFY CUSTOM DEGREE



	<u>TAG</u>	<u>QTY.</u>	<u>DIA.</u> <u>END 1</u>	<u>DIA.</u> <u>END 2</u>	<u>DIA.</u> <u>END 3</u>
SYSTEM NUMBER/AREA : _____	_____	_____	_____	_____	_____
MATERIAL/STATIC WG : _____	_____	_____	_____	_____	_____
FABRICATE IN ACCORDANCE WITH SMACNA DUCT CONSTRUCTION STANDARDS	_____	_____	_____	_____	_____
<u>TRANSVERSE JOINT</u> SURE CLAMP	_____	_____	_____	_____	_____
<u>LONGITUDINAL SEAMS</u> LAP, SPOTWELD AND SEAL	_____	_____	_____	_____	_____
 RL-2	_____	_____	_____	_____	_____
STANDARD SIZES 4"Ø THRU 22"Ø	_____	_____	_____	_____	_____

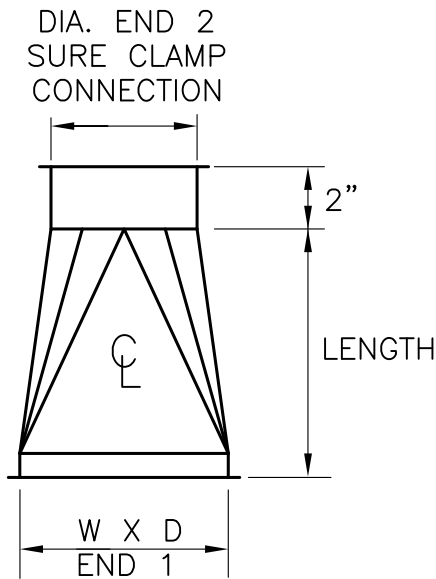
www.langdonsheetmetal.com

SUBMITTAL

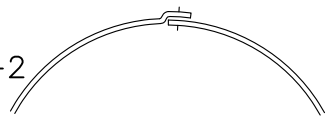
SURE • CLAMP SPIRAL FITTINGS

(PATENTED)

#50 CENTER LINE SQUARE TO ROUND



S & D-TDC-FLG-RAW

	<u>TAG</u>	<u>QTY.</u>	<u>W X D END 1 CENTERLINE</u>	<u>CONN. TYPE END 1</u>	<u>DIA. END 2 CENTERLINE</u>
SYSTEM NUMBER/AREA : _____	_____	_____	X	_____	_____
MATERIAL/STATIC WG : _____	_____	_____	X	_____	_____
FABRICATE IN ACCORDANCE WITH SMACNA DUCT CONSTRUCTION STANDARDS	_____	_____	X	_____	_____
<u>END 1 TRANSVERSE JOINT</u> S & D-TDC-FLG-RAW	_____	_____	X	_____	_____
<u>END 2 TRANSVERSE JOINT</u> SURE CLAMP	_____	_____	X	_____	_____
<u>LONGITUDINAL SEAMS</u> LAP, SPOTWELD AND SEAL	_____	_____	X	_____	_____
RL-2 	_____	_____	X	_____	_____
<u>LENGTH (6" MINIMUM)</u>	_____	_____	X	_____	_____
END 1 (W OR D LARGEST ONE) - END 2	_____	_____	X	_____	_____

STANDARD SIZES 4"Ø THRU 22"Ø

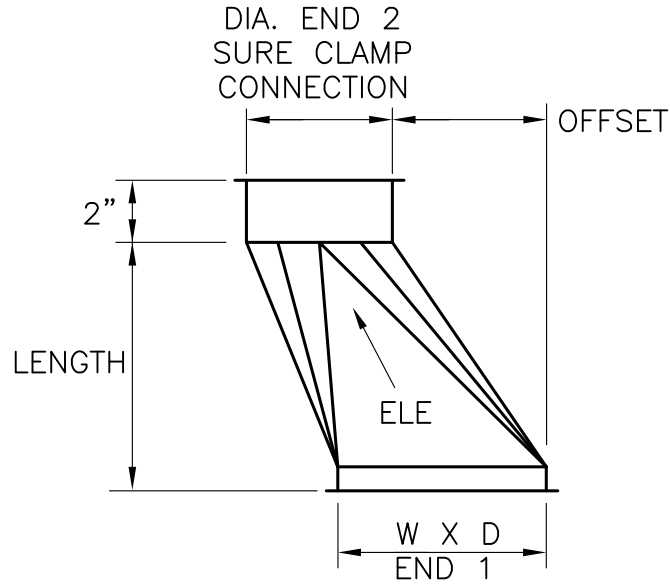
www.langdonsheetmetal.com

SUBMITTAL

SURE • CLAMP SPIRAL FITTINGS

(PATENTED)

#74 OFFSET SQUARE TO ROUND



S & D-TDC-FLG-RAW

	<u>TAG</u>	<u>QTY.</u>	<u>W X D</u> <u>END 1</u>	<u>CONN.</u> <u>TYPE</u> <u>END 1</u>	<u>DIA</u> <u>END 2</u>	<u>OFFSET</u>	<u>ELE.</u> <u>TU/TD</u>
SYSTEM NUMBER/AREA : _____	_____	_____	_____	_____	_____	_____	_____
MATERIAL/STATIC WG : _____	_____	_____	X	_____	_____	_____	_____
FABRICATE IN ACCORDANCE WITH	_____	_____	X	_____	_____	_____	_____
SMACNA DUCT CONSTRUCTION STANDARDS	_____	_____	X	_____	_____	_____	_____
<u>END 1 TRANSVERSE JOINT</u>	_____	_____	X	_____	_____	_____	_____
S & D-TDC-FLG-RAW	_____	_____	X	_____	_____	_____	_____
<u>END 2 TRANSVERSE JOINT</u>	_____	_____	X	_____	_____	_____	_____
SURE CLAMP	_____	_____	X	_____	_____	_____	_____
<u>LONGITUDINAL SEAMS</u>	_____	_____	X	_____	_____	_____	_____
LAP, SPOTWELD AND SEAL	_____	_____	X	_____	_____	_____	_____
RL-2	_____	_____	X	_____	_____	_____	_____
<u>LENGTH (6" MINIMUM)</u>	_____	_____	X	_____	_____	_____	_____
OFFSET X 2	_____	_____	X	_____	_____	_____	_____

STANDARD SIZES 4"Ø THRU 22"Ø

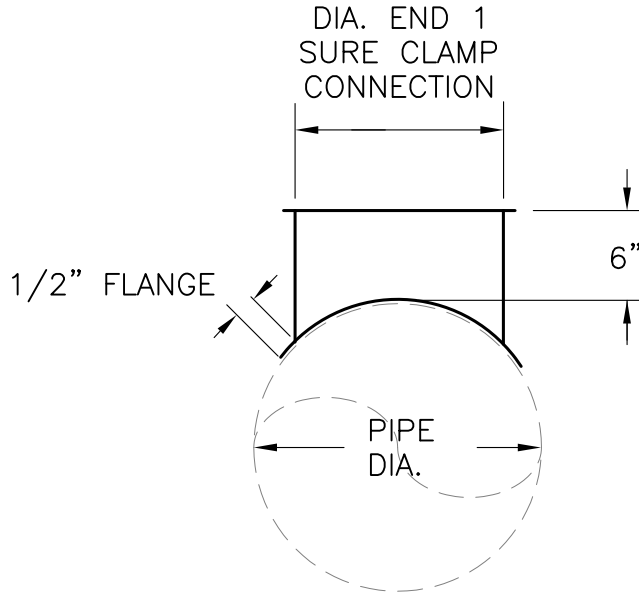
www.langdonsheetmetal.com

SUBMITTAL

SURE • CLAMP SPIRAL FITTINGS

(PATENTED)

#67-90 FIELD MOUNTED STRAIGHT TAP ON ROUND

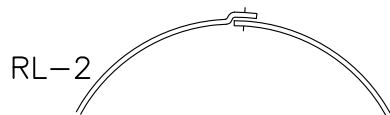


SYSTEM NUMBER/AREA : _____	<u>TAG</u>	<u>QTY.</u>	<u>DIA. END 1</u>	<u>PIPE DIA.</u>
MATERIAL/STATIC WG : _____	_____	_____	_____	_____

FABRICATE IN ACCORDANCE WITH
SMACNA DUCT CONSTRUCTION STANDARDS

TRANSVERSE JOINT
SURE CLAMP

LONGITUDINAL SEAMS
LAP, SPOTWELD AND SEAL

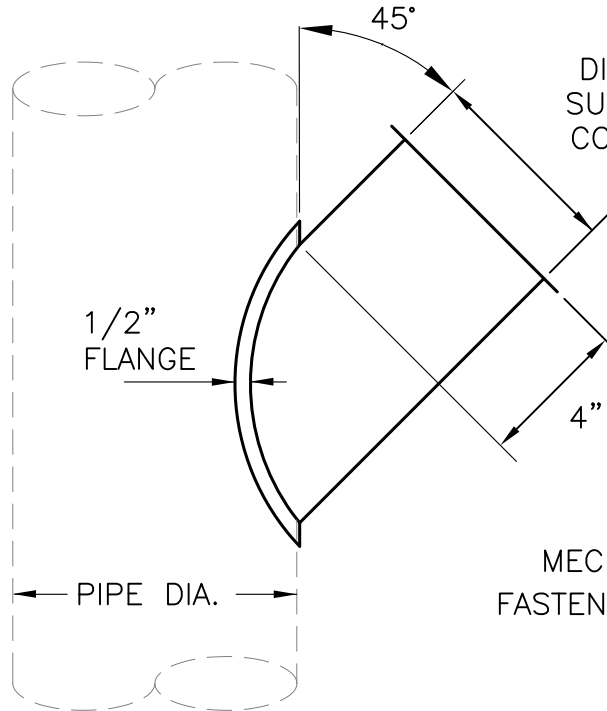


STANDARD SIZES 4"Ø THRU 22"Ø

www.langdonsheetmetal.com

SUBMITTAL
SURE • CLAMP SPIRAL FITTINGS
(PATENTED)
#67 FIELD MOUNTED LATERAL TAP

*SPECIFY
CUSTOM DEGREE



MECHANICALLY
FASTEN AND SEAL.

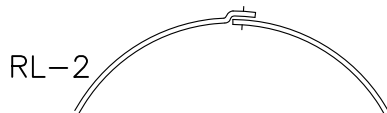
SYSTEM NUMBER/AREA : _____
MATERIAL/STATIC WG : _____

TAG	QTY.	DIA. END 1	PIPE DIA.
_____	_____	_____	_____
_____	_____	_____	_____
_____	_____	_____	_____
_____	_____	_____	_____
_____	_____	_____	_____
_____	_____	_____	_____
_____	_____	_____	_____
_____	_____	_____	_____
_____	_____	_____	_____
_____	_____	_____	_____
_____	_____	_____	_____
_____	_____	_____	_____
_____	_____	_____	_____
_____	_____	_____	_____
_____	_____	_____	_____
_____	_____	_____	_____

FABRICATE IN ACCORDANCE WITH
SMACNA DUCT CONSTRUCTION STANDARDS

TRANSVERSE JOINT
SURE CLAMP

LONGITUDINAL SEAMS
LAP, SPOTWELD AND SEAL



STANDARD SIZES 4"Ø THRU 22"Ø

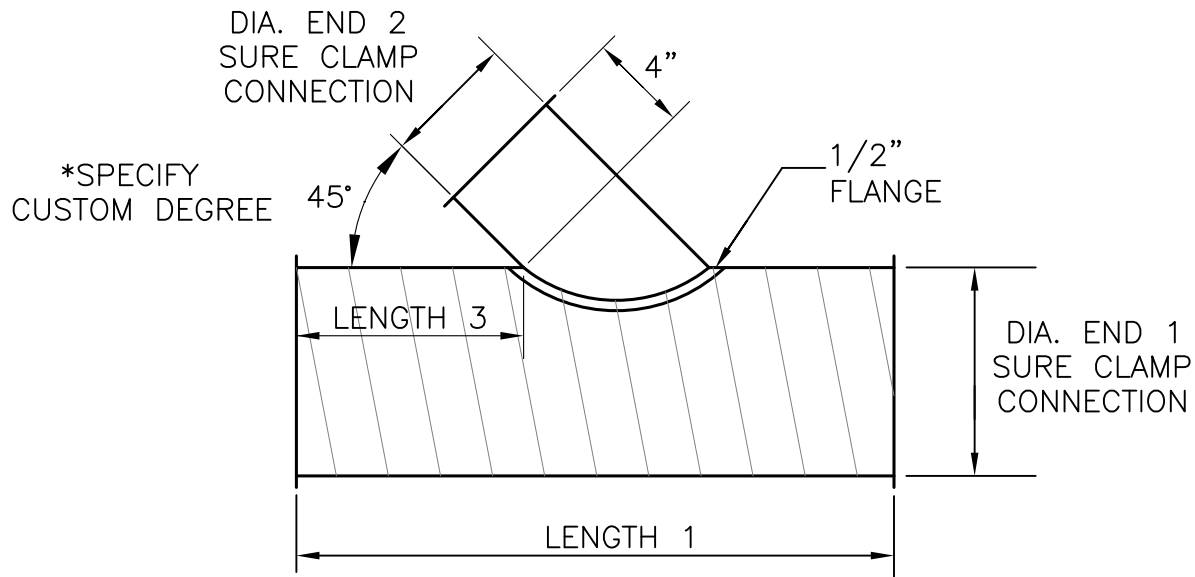
www.langdonsheetmetal.com

SUBMITTAL

SURE • CLAMP SPIRAL FITTINGS

(PATENTED)

#54S LATERAL SHOP MOUNTED

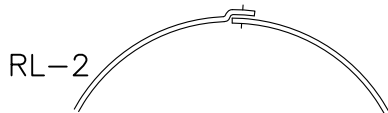


SYSTEM NUMBER/AREA :	TAG	QTY.	DIA. END 1	DIA. END 2	LENGTH 1	LENGTH 3
MATERIAL/STATIC WG :						

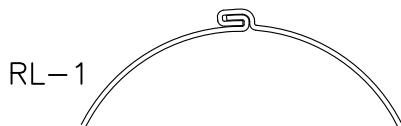
FABRICATE IN ACCORDANCE WITH
SMACNA DUCT CONSTRUCTION STANDARDS

TRANSVERSE JOINT
SURE CLAMP

LATERAL LONGITUDINAL SEAM
LAP, SPOTWELD AND SEAL



BODY LONGITUDINAL SEAM
SPIRAL SEAM



STANDARD SIZES 4"Ø THRU 22"Ø

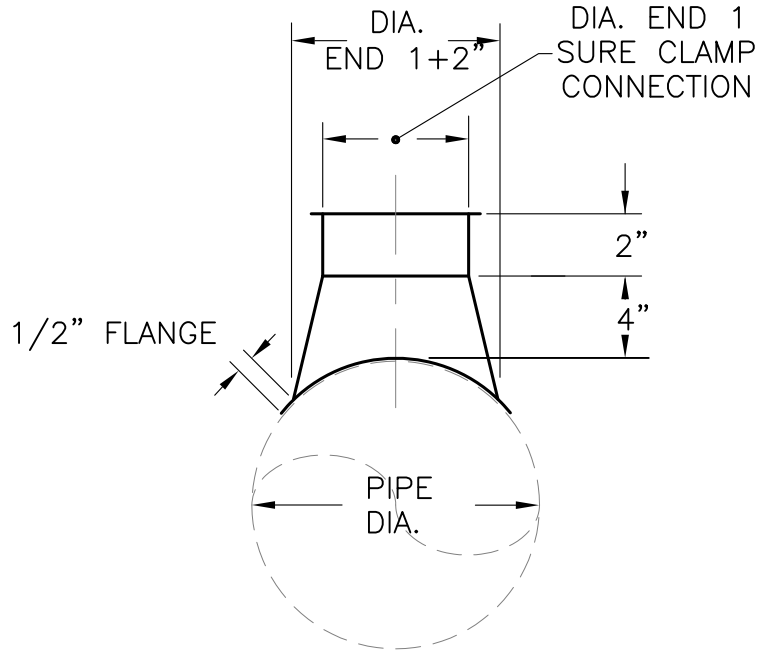
www.langdonsheetmetal.com

SUBMITTAL

SURE • CLAMP SPIRAL FITTINGS

(PATENTED)

#56T CONICAL TAP ON ROUND



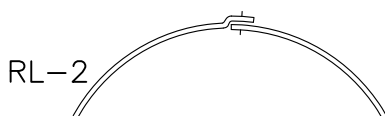
SYSTEM NUMBER/AREA : _____
 MATERIAL/STATIC WG : _____

<u>TAG</u>	<u>QTY.</u>	<u>DIA. END 1</u>	<u>PIPE DIA.</u>
_____	_____	_____	_____
_____	_____	_____	_____
_____	_____	_____	_____
_____	_____	_____	_____
_____	_____	_____	_____
_____	_____	_____	_____
_____	_____	_____	_____
_____	_____	_____	_____
_____	_____	_____	_____
_____	_____	_____	_____
_____	_____	_____	_____
_____	_____	_____	_____
_____	_____	_____	_____
_____	_____	_____	_____
_____	_____	_____	_____
_____	_____	_____	_____

FABRICATE IN ACCORDANCE WITH
 SMACNA DUCT CONSTRUCTION STANDARDS

TRANSVERSE JOINT
 SURE CLAMP

LONGITUDINAL SEAMS
 LAP, SPOTWELD AND SEAL



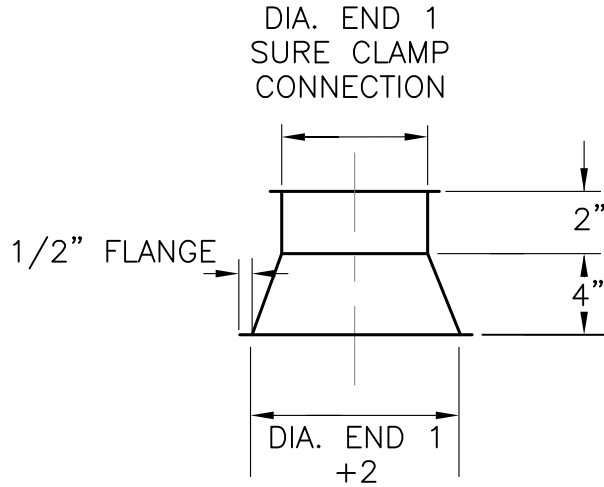
STANDARD SIZES 4"Ø THRU 22"Ø

SUBMITTAL

SURE • CLAMP SPIRAL FITTINGS

(PATENTED)

#57T CONICAL TAP ON RECTANGULAR DUCTWORK



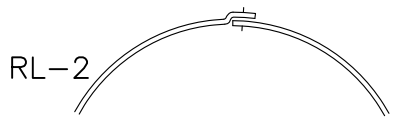
SYSTEM NUMBER/AREA : _____
MATERIAL/STATIC WG : _____

TAG QTY. DIA. END 1

FABRICATE IN ACCORDANCE WITH
SMACNA DUCT CONSTRUCTION STANDARDS

TRANSVERSE JOINT
SURE CLAMP

LONGITUDINAL SEAMS
LAP, SPOTWELD AND SEAL



STANDARD SIZES 4"φ THRU 22"φ

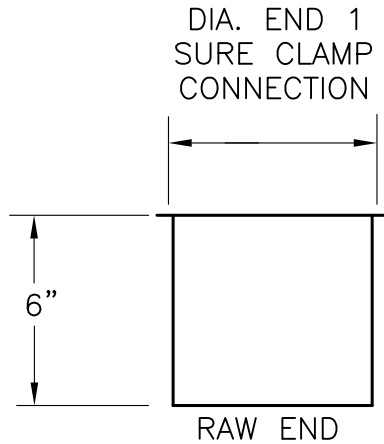
_____	_____	_____
_____	_____	_____
_____	_____	_____
_____	_____	_____
_____	_____	_____
_____	_____	_____
_____	_____	_____
_____	_____	_____
_____	_____	_____
_____	_____	_____
_____	_____	_____
_____	_____	_____
_____	_____	_____
_____	_____	_____

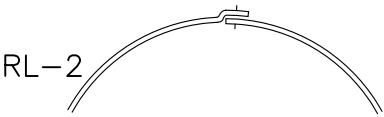
SUBMITTAL

SURE • CLAMP SPIRAL FITTINGS

(PATENTED)

#100C EQUIPMENT COLLAR-(HOODS, AIR VALVES, ECT.)



	<u>TAG</u>	<u>QTY.</u>	<u>DIA. END 1</u>
SYSTEM NUMBER/AREA : _____	_____	_____	_____
MATERIAL/STATIC WG : _____	_____	_____	_____
FABRICATE IN ACCORDANCE WITH SMACNA DUCT CONSTRUCTION STANDARDS	_____	_____	_____
<u>TRANSVERSE JOINT</u> SURE CLAMP	_____	_____	_____
<u>LONGITUDINAL SEAMS</u> LAP, SPOTWELD AND SEAL	_____	_____	_____
RL-2 	_____	_____	_____
STANDARD SIZES 4"Ø THRU 22"Ø	_____	_____	_____
	_____	_____	_____
	_____	_____	_____

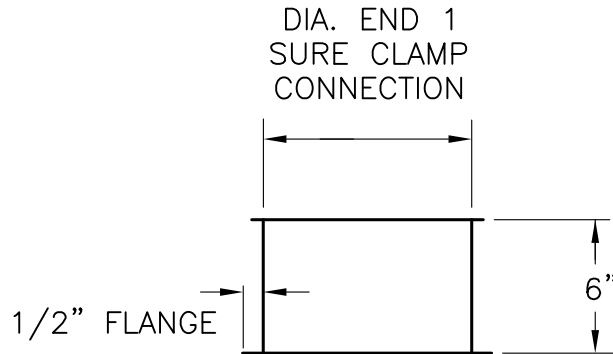
www.langdonsheetmetal.com

SUBMITTAL

SURE • CLAMP SPIRAL FITTINGS

(PATENTED)

#100T FIELD MOUNTED STRAIGHT TAP ON RECTANGULAR



SYSTEM NUMBER/AREA : _____
 MATERIAL/STATIC WG : _____

TAG

QTY.

DIA. END 1

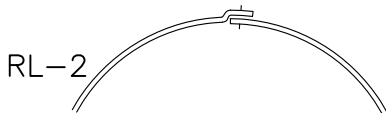
FABRICATE IN ACCORDANCE WITH
 SMACNA DUCT CONSTRUCTION STANDARDS

TRANSVERSE JOINT

SURE CLAMP

LONGITUDINAL SEAMS

LAP, SPOTWELD AND SEAL



STANDARD SIZES 4"Ø THRU 22"Ø

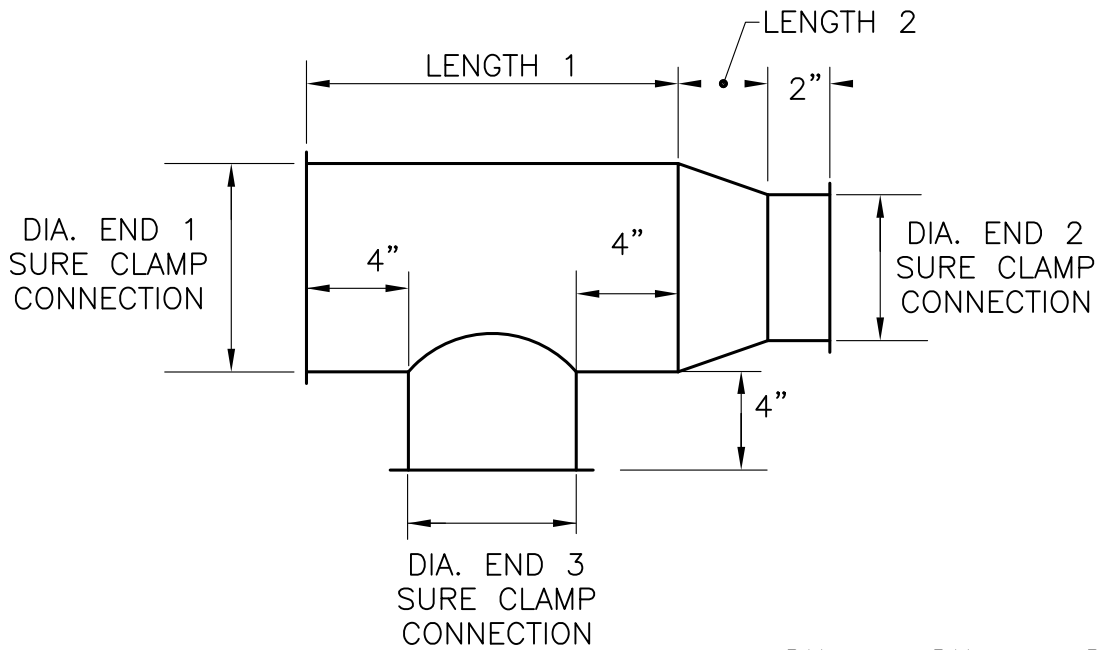
www.langdonsheetmetal.com

SUBMITTAL

SURE • CLAMP SPIRAL FITTINGS

(PATENTED)

#65 CONCENTRIC REDUCING TEE 90 DEGREE

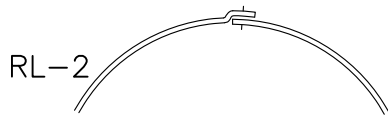


SYSTEM NUMBER/AREA :	TAG	QTY.	DIA. END 1	DIA. END 2	DIA. END 3
MATERIAL/STATIC WG :					

FABRICATE IN ACCORDANCE WITH
SMACNA DUCT CONSTRUCTION STANDARDS

TRANSVERSE JOINT
SURE CLAMP

LONGITUDINAL SEAMS
LAP, SPOTWELD AND SEAL



LENGTH 1
END 3 + 8"

LENGTH 2 (4" MINIMUM)
END 1 - END 2

STANDARD SIZES 4"Ø THRU 22"Ø

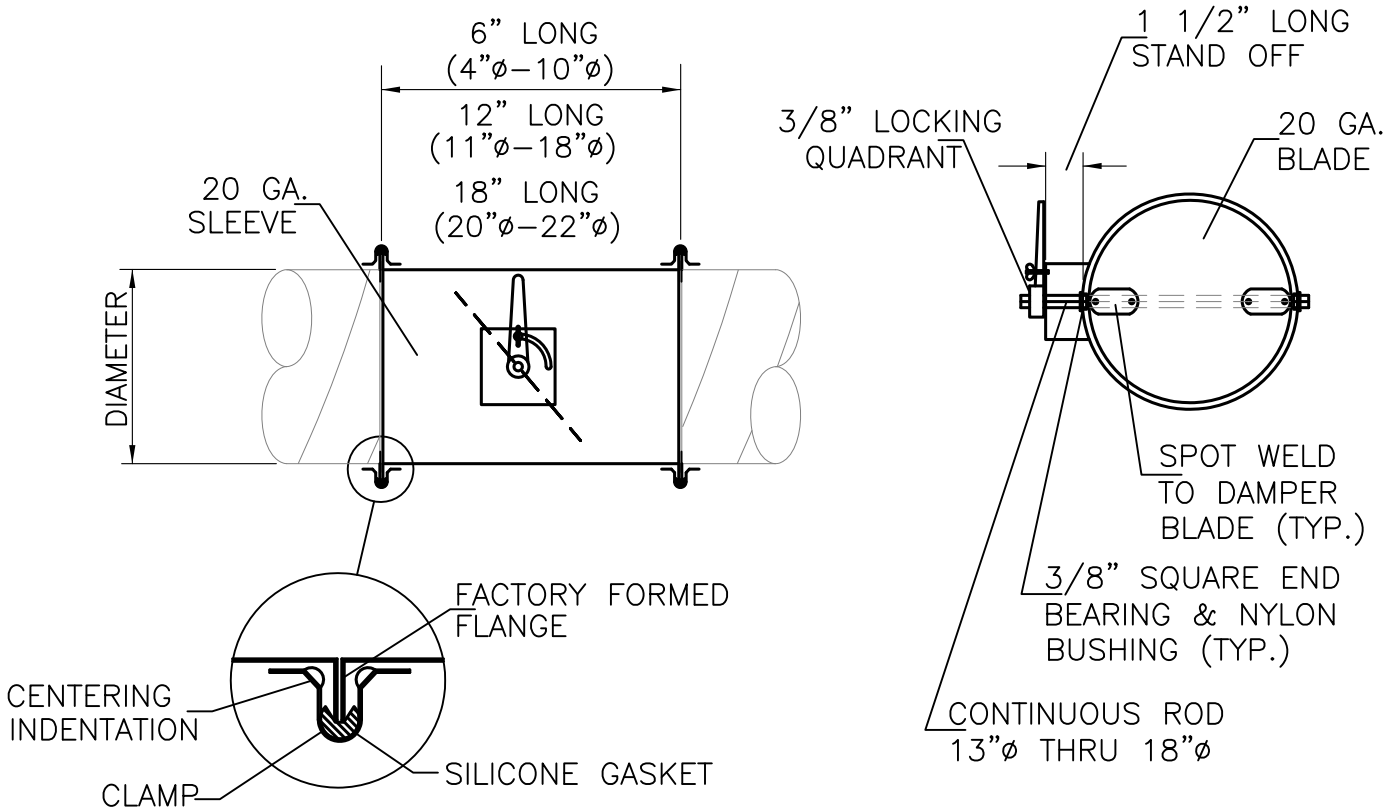
www.langdonsheetmetal.com

SUBMITTAL

SURE • CLAMP SPIRAL FITTINGS

(PATENTED)

#100VD MANUAL VOLUME DAMPER 4"φ TO 18"φ



SYSTEM NUMBER/AREA : _____
 MATERIAL/STATIC WG : _____

TAG	QTY.	DIAMETER
_____	_____	_____
_____	_____	_____
_____	_____	_____
_____	_____	_____
_____	_____	_____
_____	_____	_____
_____	_____	_____
_____	_____	_____
_____	_____	_____
_____	_____	_____
_____	_____	_____

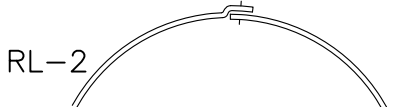
FABRICATE IN ACCORDANCE WITH
 SMACNA DUCT CONSTRUCTION STANDARDS

TRANSVERSE JOINT

SURE CLAMP

LONGITUDINAL SEAMS

LAP, SPOTWELD AND SEAL



STANDARD SIZES 4"φ THRU 22"φ

www.langdonsheetmetal.com