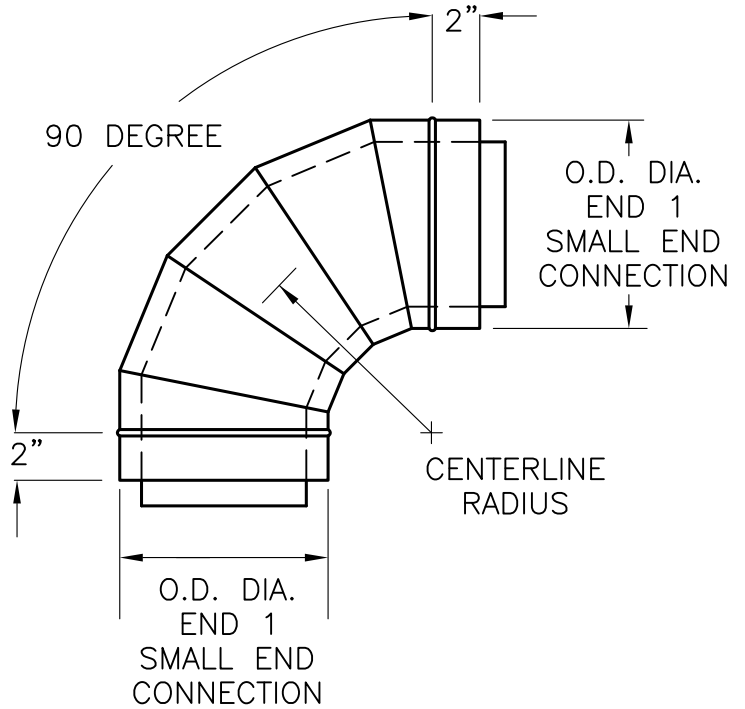


SUBMITTAL DOUBLE WALL SPIRAL FITTINGS

#52 ELBOWS

*SPECIFY
CUSTOM DEGREE
&
CENTERLINE RADIUS



SYSTEM NUMBER/AREA : _____
MATERIAL/STATIC WG : _____

INNER: SOLID PERF PERF W/MYLAR

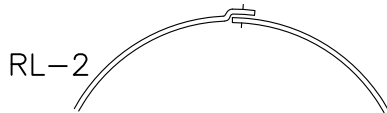
FABRICATE IN ACCORDANCE WITH
SMACNA DUCT CONSTRUCTION STANDARDS
1" OR 2" INSULATION

TRANSVERSE JOINT

SMALL END SLIP CONNECTION

LONGITUDINAL SEAMS

LAP, SPOTWELD AND SEAL



GORE LOCK
14" DIA. AND LARGER



CENTERLINE RADIUS

1-1/2 X INSIDE DIAMETER

GORE AMOUNT

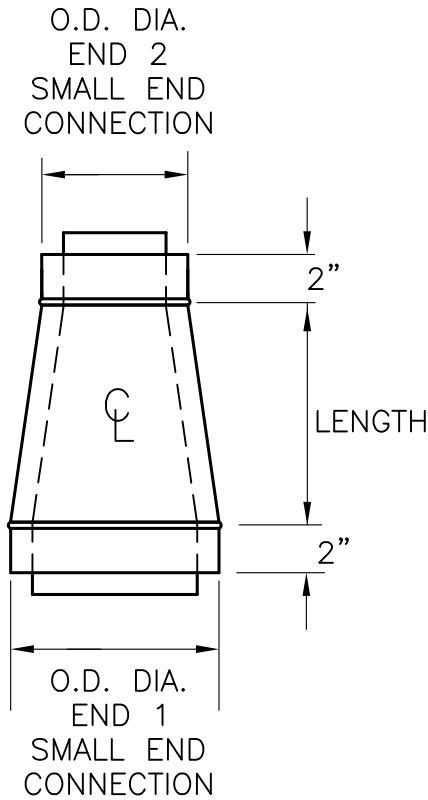
0-22 DEGREE = 2 GORE
23-45 DEGREE = 3 GORE
46-60 DEGREE = 4 GORE
61-90 DEGREE = 5 GORE

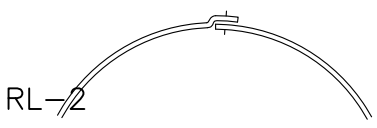
	<u>TAG</u>	<u>QTY.</u>	<u>DEGREE</u>	<u>DIA END 1</u> O.D./I.D.
<u>LONGITUDINAL SEAMS</u>	_____	_____	_____	/
LAP, SPOTWELD AND SEAL	_____	_____	_____	/
RL-2	_____	_____	_____	/
GORE LOCK	_____	_____	_____	/
14" DIA. AND LARGER	_____	_____	_____	/
<u>CENTERLINE RADIUS</u>	_____	_____	_____	/
1-1/2 X INSIDE DIAMETER	_____	_____	_____	/
GORE AMOUNT	_____	_____	_____	/
0-22 DEGREE = 2 GORE	_____	_____	_____	/
23-45 DEGREE = 3 GORE	_____	_____	_____	/
46-60 DEGREE = 4 GORE	_____	_____	_____	/
61-90 DEGREE = 5 GORE	_____	_____	_____	/

www.langdonsheetmetal.com

SUBMITTAL DOUBLE WALL SPIRAL FITTINGS

#57 CONCENTRIC REDUCER

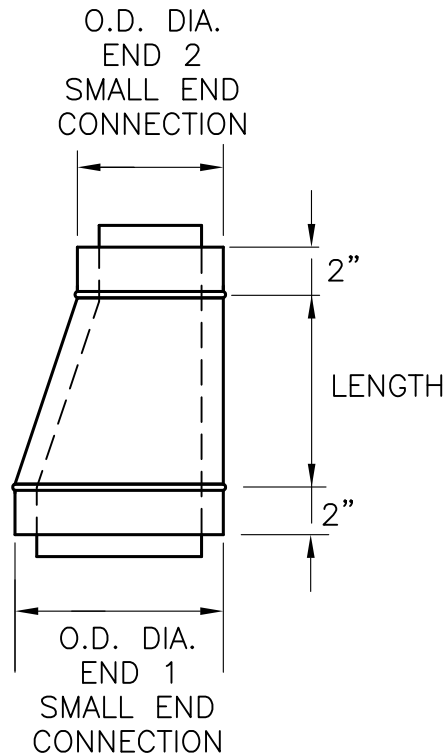


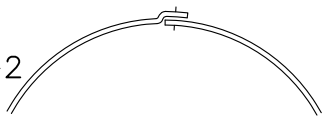
	<u>TAG</u>	<u>QTY.</u>	<u>DIA. END 1</u> O.D./I.D.	<u>DIA END 2</u> O.D./I.D.
SYSTEM NUMBER/AREA : _____	_____	_____	/	/
MATERIAL/STATIC WG : _____	_____	_____	/	/
INNER: SOLID <input type="checkbox"/> PERF <input type="checkbox"/> PERF W/MYLAR <input type="checkbox"/>	_____	_____	/	/
FABRICATE IN ACCORDANCE WITH SMACNA DUCT CONSTRUCTION STANDARDS	_____	_____	/	/
1" OR 2" INSULATION	_____	_____	/	/
<u>TRANSVERSE JOINT</u>	_____	_____	/	/
SMALL END SLIP CONNECTION	_____	_____	/	/
<u>LONGITUDINAL SEAMS</u>	_____	_____	/	/
LAP, SPOTWELD AND SEAL	_____	_____	/	/
	_____	_____	/	/
<u>LENGTH (4" MINIMUM)</u> END 1 - END 2	_____	_____	/	/

www.langdonsheetmetal.com

SUBMITTAL DOUBLE WALL SPIRAL FITTINGS

#69 ECENTRIC REDUCER

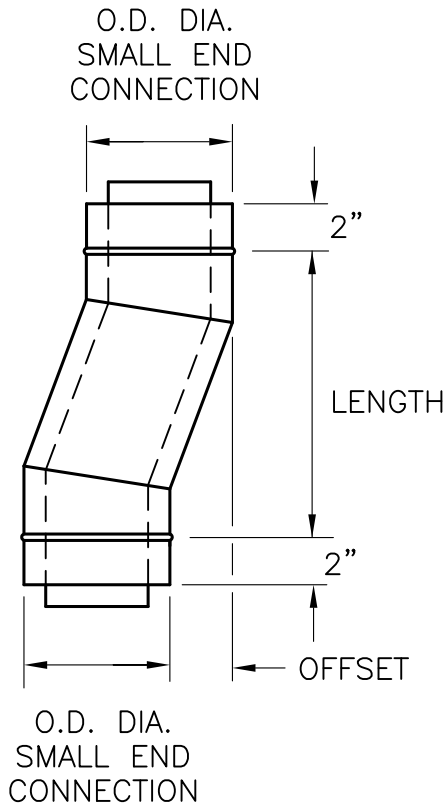


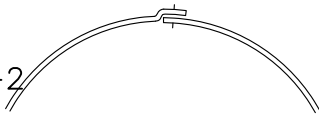
	<u>TAG</u>	<u>QTY.</u>	<u>DIA. END 1</u> O.D./I.D.	<u>DIA END 2</u> O.D./I.D.
SYSTEM NUMBER/AREA : _____	_____	_____	/	/
MATERIAL/STATIC WG : _____	_____	_____	/	/
INNER: SOLID <input type="checkbox"/> PERF <input type="checkbox"/> PERF W/MYLAR <input type="checkbox"/>	_____	_____	/	/
FABRICATE IN ACCORDANCE WITH SMACNA DUCT CONSTRUCTION STANDARDS	_____	_____	/	/
1" OR 2" INSULATION	_____	_____	/	/
<u>TRANSVERSE JOINT</u>	_____	_____	/	/
SMALL END SLIP CONNECTION	_____	_____	/	/
<u>LONGITUDINAL SEAMS</u>	_____	_____	/	/
LAP, SPOTWELD AND SEAL	_____	_____	/	/
RL-2 	_____	_____	/	/
<u>LENGTH (4" MINIMUM)</u> (END 1 - END 2) x 2	_____	_____	/	/

www.langdonsheetmetal.com

SUBMITTAL DOUBLE WALL SPIRAL FITTINGS

#53 OFFSET

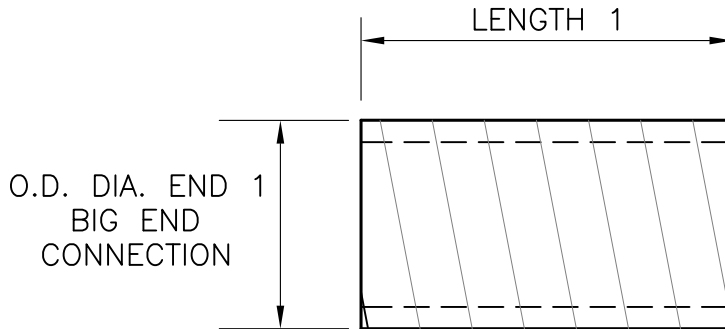


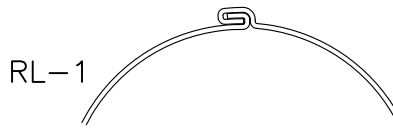
	<u>TAG</u>	<u>QTY.</u>	<u>DIA.</u> O.D./I.D.	<u>OFFSET</u>
SYSTEM NUMBER/AREA : _____	_____	_____	/	_____
MATERIAL/STATIC WG : _____	_____	_____	/	_____
INNER: SOLID <input type="checkbox"/> PERF <input type="checkbox"/> PERF W/MYLAR <input type="checkbox"/>	_____	_____	/	_____
FABRICATE IN ACCORDANCE WITH SMACNA DUCT CONSTRUCTION STANDARDS	_____	_____	/	_____
1" OR 2" INSULATION	_____	_____	/	_____
<u>TRANSVERSE JOINT</u>	_____	_____	/	_____
SMALL END SLIP CONNECTION	_____	_____	/	_____
<u>LONGITUDINAL SEAMS</u>	_____	_____	/	_____
LAP, SPOTWELD AND SEAL	_____	_____	/	_____
RL-2 	_____	_____	/	_____
<u>LENGTH (6" MINIMUM)</u> OFFSET X 2	_____	_____	/	_____

www.langdonsheetmetal.com

SUBMITTAL DOUBLE WALL SPIRAL FITTINGS

#100S SPIRAL DUCTWORK

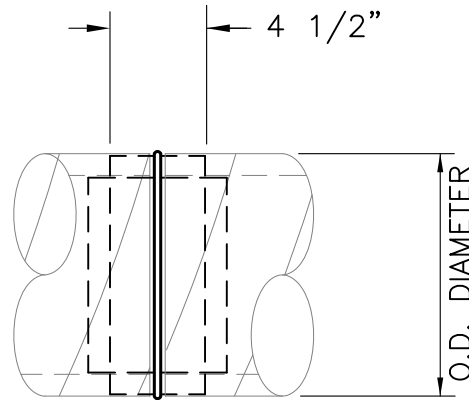


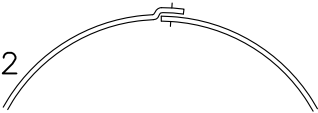
	<u>TAG</u>	<u>QTY.</u>	<u>DIA. END 1</u> O.D./I.D.	<u>LENGTH 1</u>
SYSTEM NUMBER/AREA : _____	_____	_____	/	_____
MATERIAL/STATIC WG : _____	_____	_____	/	_____
INNER: SOLID <input type="checkbox"/> PERF <input type="checkbox"/> PERF W/MYLAR <input type="checkbox"/>	_____	_____	/	_____
FABRICATE IN ACCORDANCE WITH SMACNA DUCT CONSTRUCTION STANDARDS	_____	_____	/	_____
1" OR 2" INSULATION	_____	_____	/	_____
<u>TRANSVERSE JOINT</u>	_____	_____	/	_____
BIG END RAW CONNECTION	_____	_____	/	_____
<u>LONGITUDINAL SEAM</u>	_____	_____	/	_____
SPIRAL SEAM	_____	_____	/	_____
	_____	_____	/	_____
<u>LENGTH 1</u> = 10' MAX. 14" MIN.	_____	_____	/	_____
SPECIAL LENGTHS AVAILABLE UPON REQUEST	_____	_____	/	_____

www.langdonsheetmetal.com

SUBMITTAL DOUBLE WALL SPIRAL FITTINGS

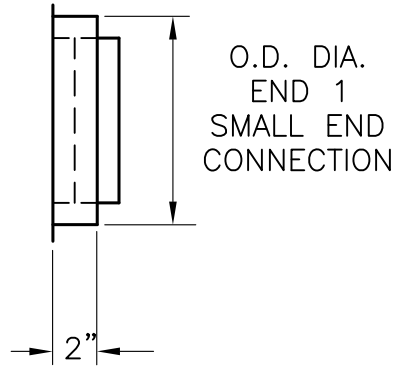
SPIRAL COUPLING

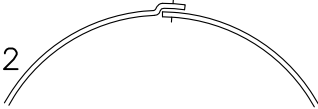


	<u>QTY.</u>	<u>DIAMETER</u> O.D./I.D.
SYSTEM NUMBER/AREA : _____	_____	/
MATERIAL/STATIC WG : _____	_____	/
INNER: SOLID <input type="checkbox"/> PERF <input type="checkbox"/> PERF W/MYLAR <input type="checkbox"/>	_____	/
FABRICATE IN ACCORDANCE WITH SMACNA DUCT CONSTRUCTION STANDARDS 1" OR 2" INSULATION	_____	/
<u>TRANSVERSE JOINT</u>	_____	/
SMALL END SLIP CONNECTION	_____	/
<u>LONGITUDINAL SEAMS</u>	_____	/
LAP, SPOTWELD AND SEAL	_____	/
RL-2 	_____	/
	_____	/

SUBMITTAL DOUBLE WALL SPIRAL FITTINGS

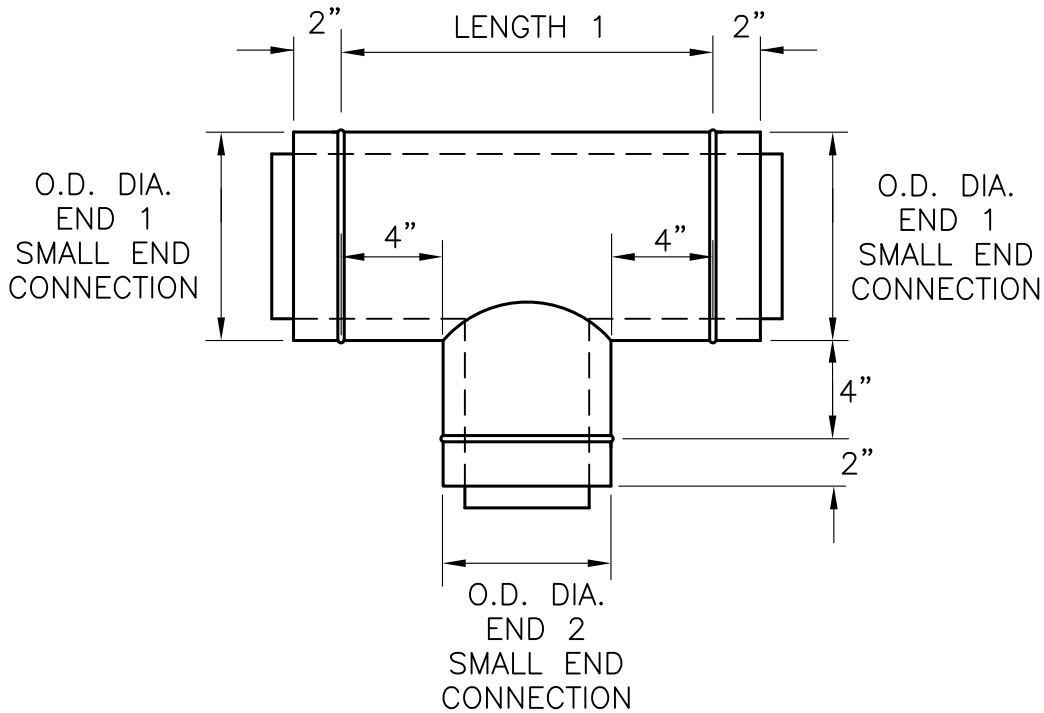
#02 END CAP



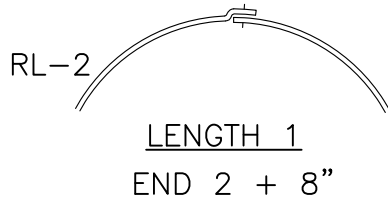
	<u>TAG</u>	<u>QTY.</u>	<u>DIA. END 1</u> O.D./I.D.
SYSTEM NUMBER/AREA : _____	_____	_____	/
MATERIAL/STATIC WG : _____	_____	_____	/
INNER: SOLID <input type="checkbox"/> PERF <input type="checkbox"/> PERF W/MYLAR <input type="checkbox"/>	_____	_____	/
FABRICATE IN ACCORDANCE WITH SMACNA DUCT CONSTRUCTION STANDARDS 1" OR 2" INSULATION	_____	_____	/
<u>TRANSVERSE JOINT</u>	_____	_____	/
SMALL END SLIP CONNECTION	_____	_____	/
<u>LONGITUDINAL SEAMS</u>	_____	_____	/
LAP, SPOTWELD AND SEAL	_____	_____	/
RL-2 	_____	_____	/
	_____	_____	/
	_____	_____	/

SUBMITTAL DOUBLE WALL SPIRAL FITTINGS

#55 STRAIGHT 90 DEGREE TEE

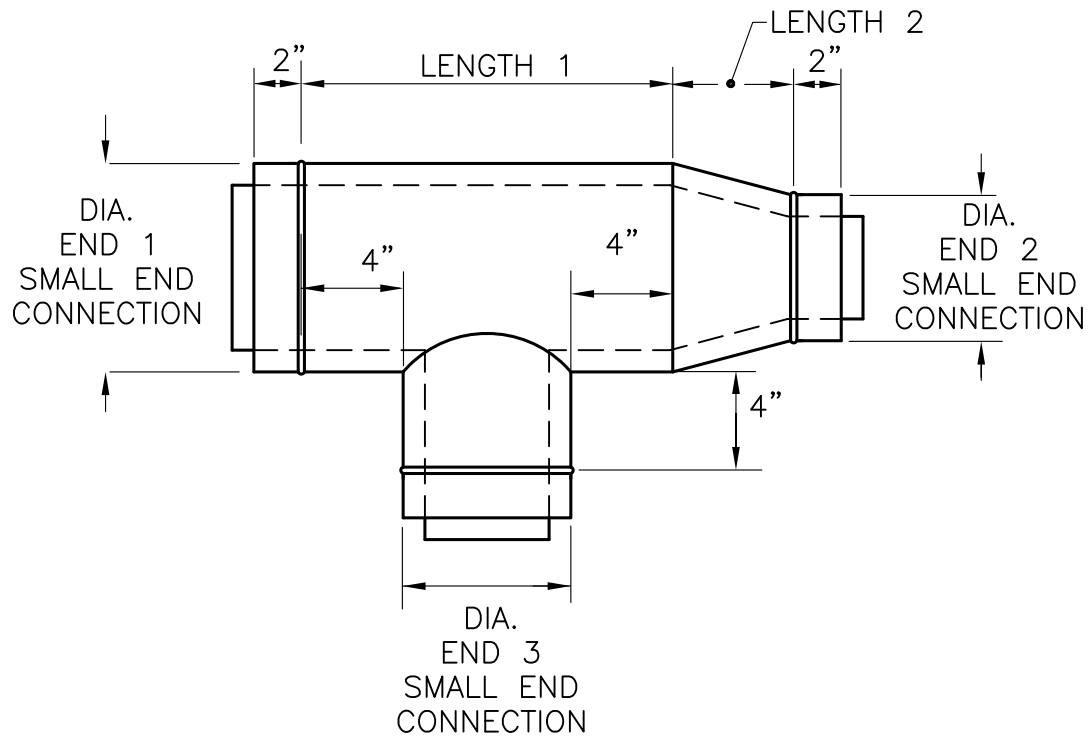


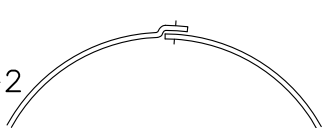
	<u>TAG</u>	<u>QTY.</u>	<u>DIA. END 1</u> O.D./I.D.	<u>DIA. END 2</u> O.D./I.D.
SYSTEM NUMBER/AREA : _____			/	/
MATERIAL/STATIC WG : _____			/	/
INNER: SOLID <input type="checkbox"/> PERF <input type="checkbox"/> PERF W/MYLAR <input type="checkbox"/>			/	/
FABRICATE IN ACCORDANCE WITH SMACNA DUCT CONSTRUCTION STANDARDS			/	/
1" OR 2" INSULATION			/	/
<u>TRANSVERSE JOINT</u>			/	/
SMALL END SLIP CONNECTION			/	/
<u>LONGITUDINAL SEAMS</u>			/	/
LAP, SPOTWELD AND SEAL			/	/
			/	/
			/	/



SUBMITTAL DOUBLE WALL SPIRAL FITTINGS

#65 CONCENTRIC REDUCING TEE 90 DEGREE

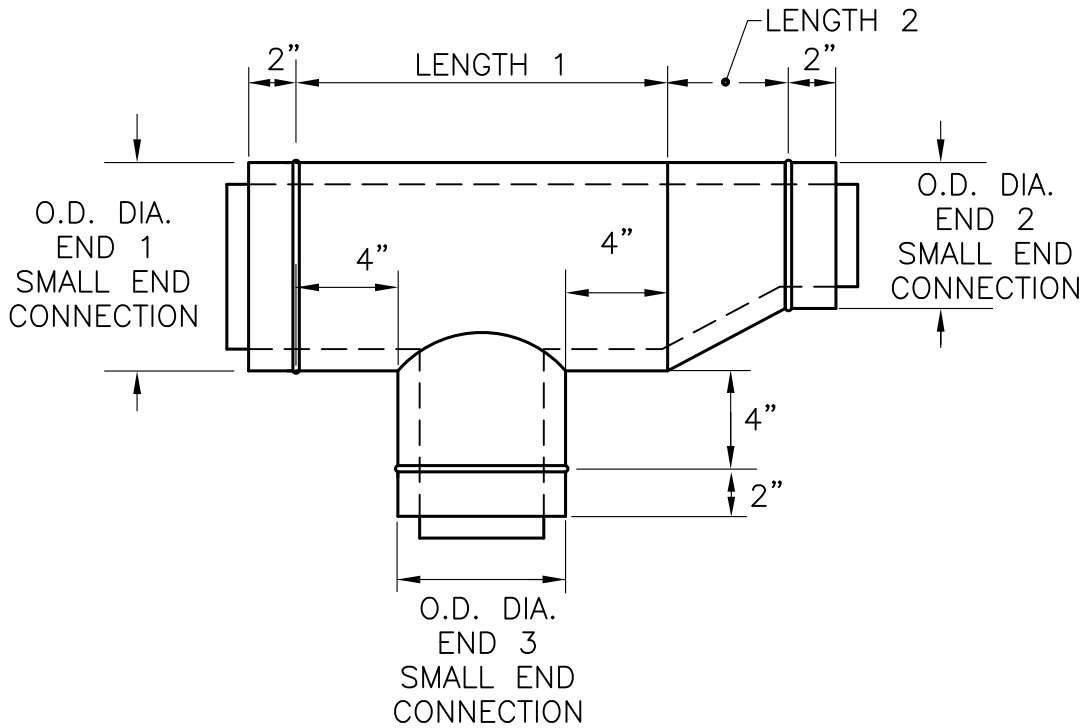


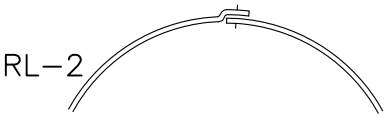
	<u>TAG</u>	<u>QTY.</u>	<u>DIA. END 1</u> O.D./I.D.	<u>DIA. END 2</u> O.D./I.D.	<u>DIA. END 3</u> O.D./I.D.
SYSTEM NUMBER/AREA : _____			/	/	/
MATERIAL/STATIC WG : _____			/	/	/
INNER: SOLID <input type="checkbox"/> PERF <input type="checkbox"/> PERF W/MYLAR <input type="checkbox"/>			/	/	/
FABRICATE IN ACCORDANCE WITH SMACNA DUCT CONSTRUCTION STANDARDS			/	/	/
1" OR 2" INSULATION			/	/	/
<u>TRANSVERSE JOINT</u>			/	/	/
SMALL END SLIP CONNECTION			/	/	/
<u>LONGITUDINAL SEAMS</u>			/	/	/
LAP, SPOTWELD AND SEAL			/	/	/
RL-2 			/	/	/
<u>LENGTH 1</u> END 3 + 8"			/	/	/
<u>LENGTH 2 (4" MINIMUM)</u> END 1 - END 2			/	/	/

www.langdonsheetmetal.com

SUBMITTAL DOUBLE WALL SPIRAL FITTINGS

#65F ECCENTRIC REDUCING TEE 90 DEGREE



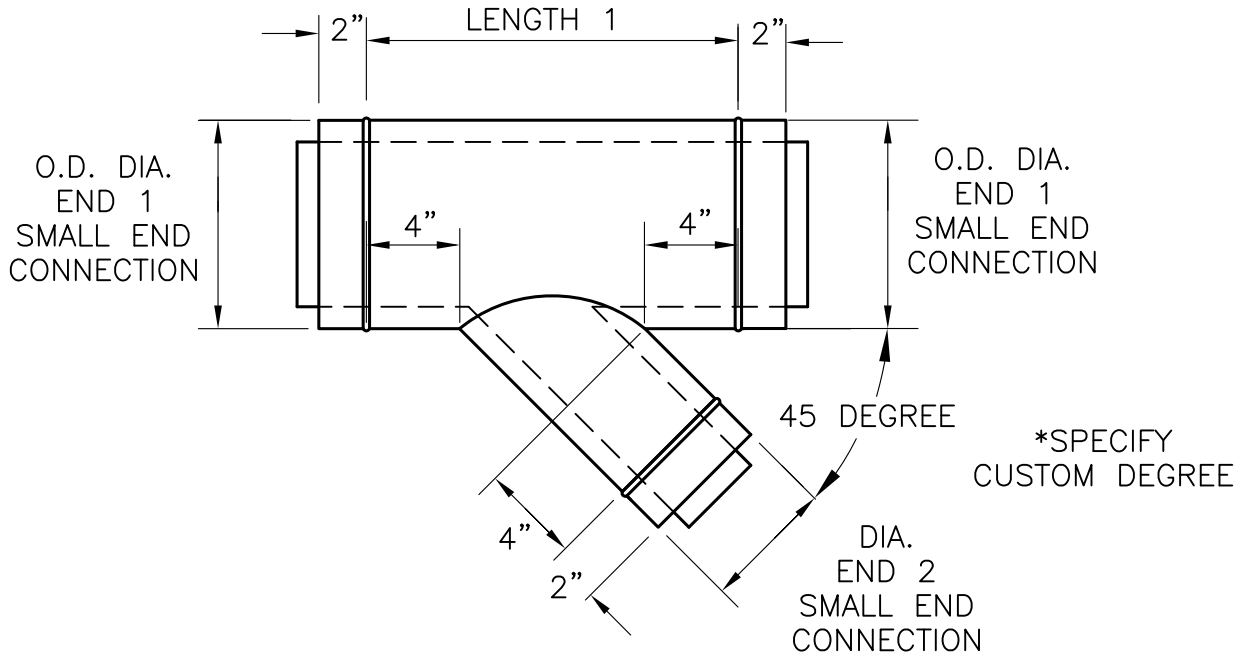
	TAG	QTY.	DIA. END 1 O.D./I.D.	DIA. END 2 O.D./I.D.	DIA. END 3 O.D./I.D.
SYSTEM NUMBER/AREA : _____			/	/	/
MATERIAL/STATIC WG : _____			/	/	/
INNER: SOLID <input type="checkbox"/> PERF <input type="checkbox"/> PERF W/MYLAR <input type="checkbox"/>			/	/	/
FABRICATE IN ACCORDANCE WITH SMACNA DUCT CONSTRUCTION STANDARDS			/	/	/
1" OR 2" INSULATION			/	/	/
<u>TRANSVERSE JOINT</u>			/	/	/
SMALL END SLIP CONNECTION			/	/	/
<u>LONGITUDINAL SEAMS</u>			/	/	/
LAP, SPOTWELD AND SEAL			/	/	/
RL-2 			/	/	/
<u>LENGTH 1</u> END 3 + 8"			/	/	/
<u>LENGTH 2 (4" MINIMUM)</u> (END 1 - END 2) X 2			/	/	/

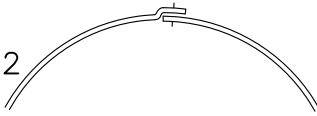
www.langdonsheetmetal.com

SUBMITTAL

DOUBLE WALL SPIRAL FITTINGS

#54 LATERAL



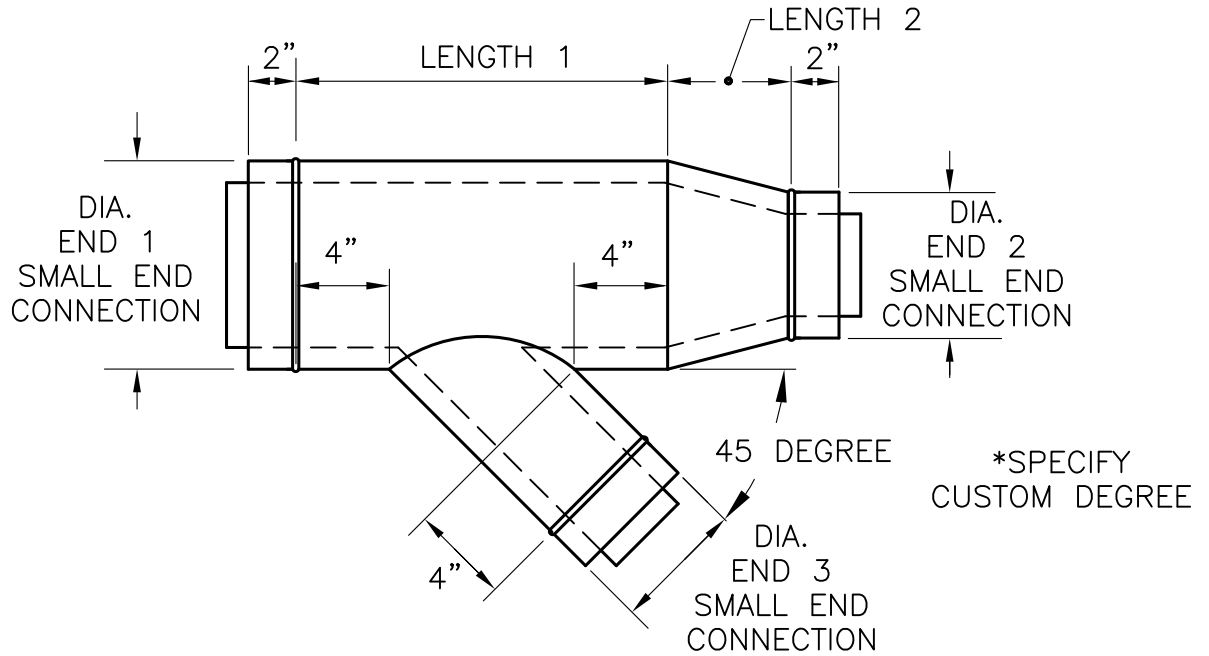
	<u>TAG</u>	<u>QTY.</u>	<u>DIA. END 1</u> O.D./I.D.	<u>DIA END 2</u> O.D./I.D.
SYSTEM NUMBER/AREA : _____			/	/
MATERIAL/STATIC WG : _____			/	/
INNER: SOLID <input type="checkbox"/> PERF <input type="checkbox"/> PERF W/MYLAR <input type="checkbox"/>			/	/
FABRICATE IN ACCORDANCE WITH SMACNA DUCT CONSTRUCTION STANDARDS 1" OR 2" INSULATION			/	/
<u>TRANSVERSE JOINT</u>			/	/
SMALL END SLIP CONNECTION			/	/
<u>LONGITUDINAL SEAMS</u>			/	/
LAP, SPOTWELD AND SEAL			/	/
RL-2 			/	/
<u>LENGTH 1</u>			/	/

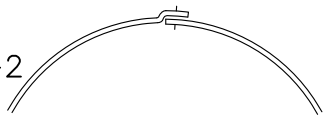
30 DEGREE: DIA. END 2 X (2) + 8
 45 DEGREE: DIA. END 2 X (1.41) + 8

www.langdonsheetmetal.com

SUBMITTAL DOUBLE WALL SPIRAL FITTINGS

#63 REDUCING LATERAL



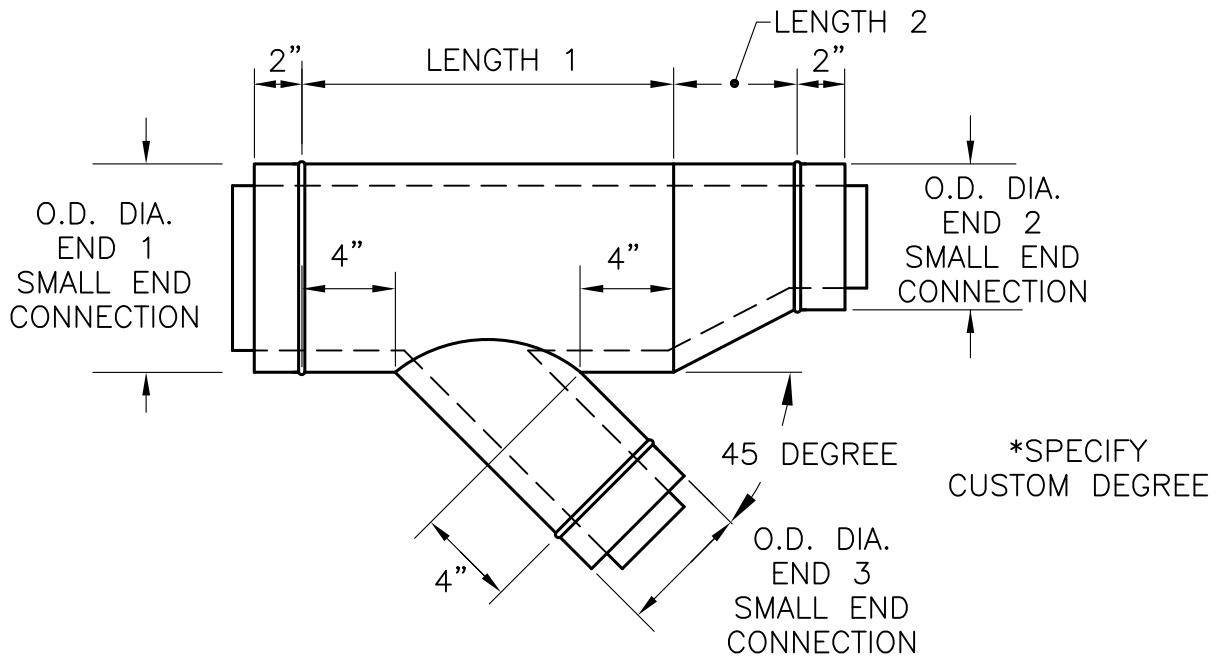
	<u>DIA. END 1</u>	<u>DIA. END 2</u>	<u>DIA. END 3</u>
	O.D./I.D.	O.D./I.D.	O.D./I.D.
SYSTEM NUMBER/AREA : _____	<u>TAG</u>	<u>QTY.</u>	
MATERIAL/STATIC WG : _____			
INNER: SOLID <input type="checkbox"/> PERF <input type="checkbox"/> PERF W/MYLAR <input type="checkbox"/>			
FABRICATE IN ACCORDANCE WITH SMACNA DUCT CONSTRUCTION STANDARDS			
1" OR 2" INSULATION			
<u>TRANSVERSE JOINT</u>			
SMALL END SLIP CONNECTION			
<u>LONGITUDINAL SEAMS</u>			
LAP, SPOTWELD AND SEAL			
RL-2 			
<u>LENGTH 1</u>			
45 DEGREE: DIA. END 3 X (1.41) + 8			
30 DEGREE: DIA. END 3 X (2) + 8			

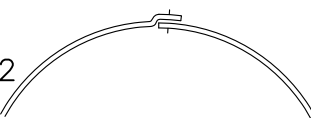
LENGTH 2 (4" MINIMUM)
END 1 - END 2

www.langdonsheetmetal.com

SUBMITTAL DOUBLE WALL SPIRAL FITTINGS

#63F ECCENTRIC REDUCING LATERAL



SYSTEM NUMBER/AREA :	TAG	QTY.	DIA. END 1 O.D./I.D.	DIA. END 2 O.D./I.D.	DIA. END 3 O.D./I.D.
MATERIAL/STATIC WG :			/	/	/
INNER: SOLID <input type="checkbox"/> PERF <input type="checkbox"/> PERF W/MYLAR <input type="checkbox"/>			/	/	/
FABRICATE IN ACCORDANCE WITH SMACNA DUCT CONSTRUCTION STANDARDS			/	/	/
1" OR 2" INSULATION			/	/	/
<u>TRANSVERSE JOINT</u>			/	/	/
SMALL END SLIP CONNECTION			/	/	/
<u>LONGITUDINAL SEAMS</u>			/	/	/
LAP, SPOTWELD AND SEAL			/	/	/
RL-2 			/	/	/
<u>LENGTH 1</u>			/	/	/
45 DEGREE: DIA. END 3 X (1.41) + 8			/	/	/
30 DEGREE: DIA. END 3 X (2) + 8			/	/	/
<u>LENGTH 2 (4" MINIMUM)</u> (END 1 - END 2) X 2			/	/	/

SUBMITTAL DOUBLE WALL SPIRAL FITTINGS

#73 LATERAL CROSS

SYSTEM NUMBER/AREA : _____

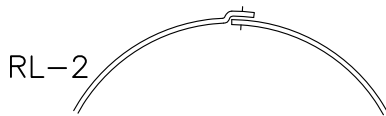
MATERIAL/STATIC WG : _____

INNER: SOLID PERF PERF W/MYLAR

FABRICATE IN ACCORDANCE WITH
SMACNA DUCT CONSTRUCTION STANDARDS
1" OR 2" INSULATION

TRANSVERSE JOINT
SMALL END SLIP CONNECTION

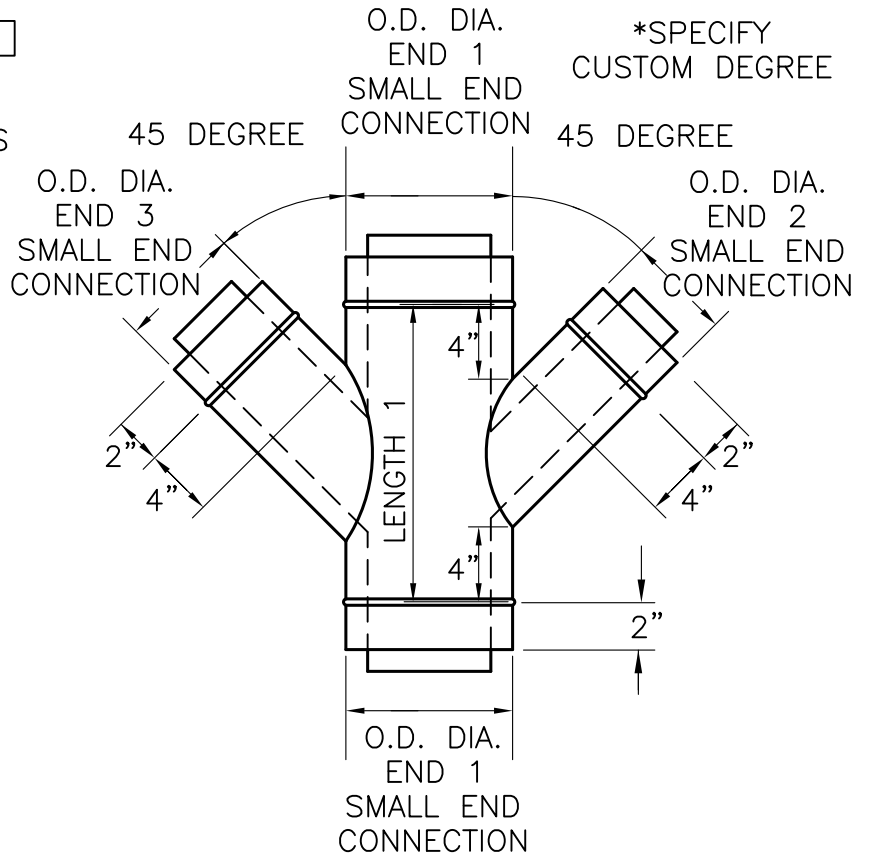
LONGITUDINAL SEAMS
LAP, SPOTWELD AND SEAL



LENGTH 1

45 DEGREE: DIA. END 3 X (1.41) + 8

30 DEGREE: DIA. END 3 X (2) + 8



<u>TAG</u>	<u>QTY.</u>	<u>DIA. END 1</u>	<u>DIA. END 2</u>	<u>DIA. END 3</u>
		O.D./I.D.	O.D./I.D.	O.D./I.D.
_____	_____	/	/	/
_____	_____	/	/	/
_____	_____	/	/	/
_____	_____	/	/	/
_____	_____	/	/	/
_____	_____	/	/	/
_____	_____	/	/	/
_____	_____	/	/	/
_____	_____	/	/	/
_____	_____	/	/	/

SUBMITTAL DOUBLE WALL SPIRAL FITTINGS

#64 REDUCING LATERAL CROSS

SYSTEM NUMBER/AREA : _____

MATERIAL/STATIC WG : _____

INNER: SOLID PERF PERF W/MYLAR

FABRICATE IN ACCORDANCE WITH
SMACNA DUCT CONSTRUCTION STANDARDS

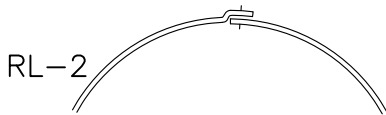
1" OR 2" INSULATION

TRANSVERSE JOINT

SMALL END SLIP CONNECTION

LONGITUDINAL SEAMS

LAP, SPOTWELD AND SEAL



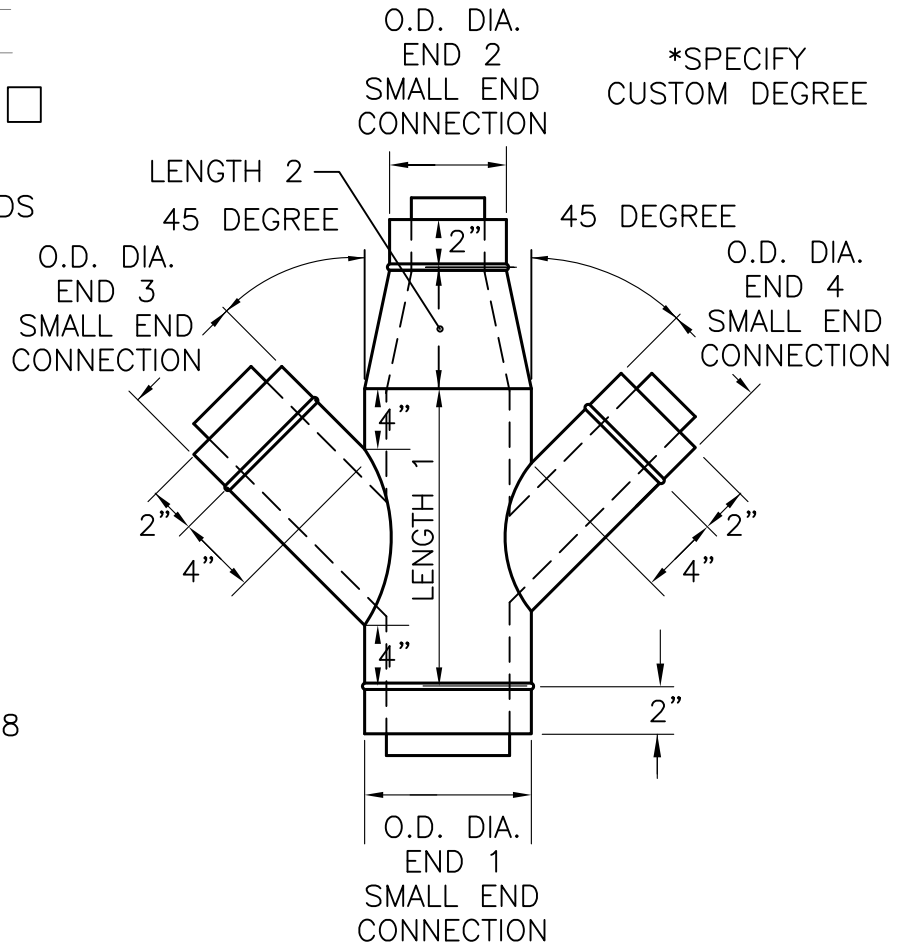
LENGTH 1

45 DEGREE: DIA. END 3 X (1.41) + 8

30 DEGREE: DIA. END 3 X (2) + 8

LENGTH 2 (4" MINIMUM)

END 1 - END 2

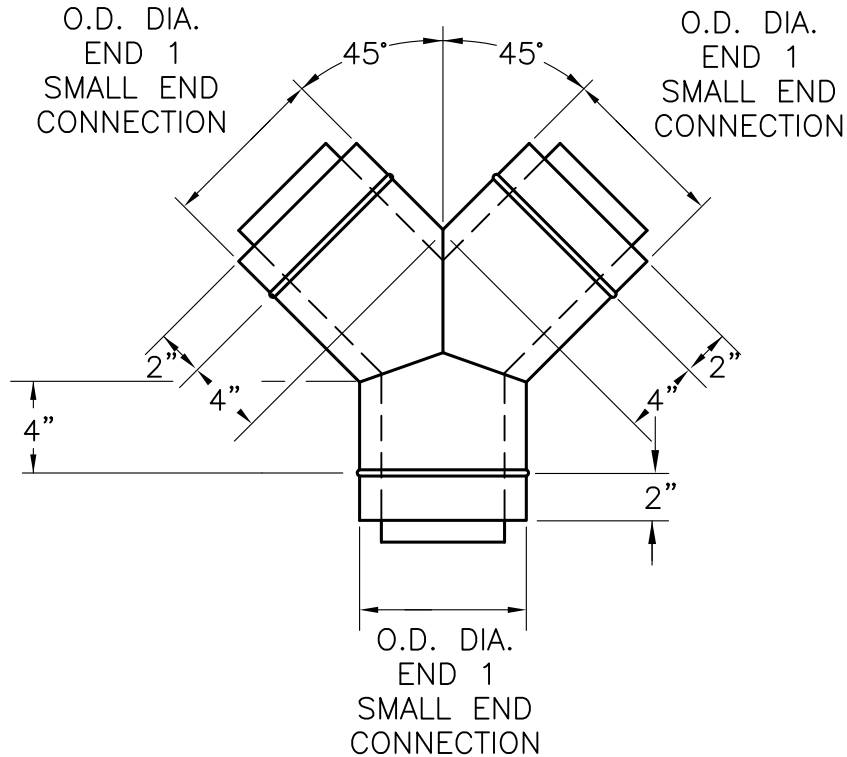


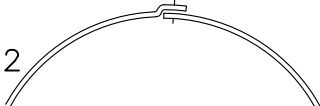
TAG	QTY.	DIA. END 1	DIA. END 2	DIA. END 3	DIA. END 4
		O.D./I.D.	O.D./I.D.	O.D./I.D.	O.D./I.D.
_____	_____	/	/	/	/
_____	_____	/	/	/	/
_____	_____	/	/	/	/
_____	_____	/	/	/	/
_____	_____	/	/	/	/
_____	_____	/	/	/	/
_____	_____	/	/	/	/
_____	_____	/	/	/	/
_____	_____	/	/	/	/
_____	_____	/	/	/	/

SUBMITTAL DOUBLE WALL SPIRAL FITTINGS

#132A 45° Y BRANCH

*SPECIFY CUSTOM DEGREE

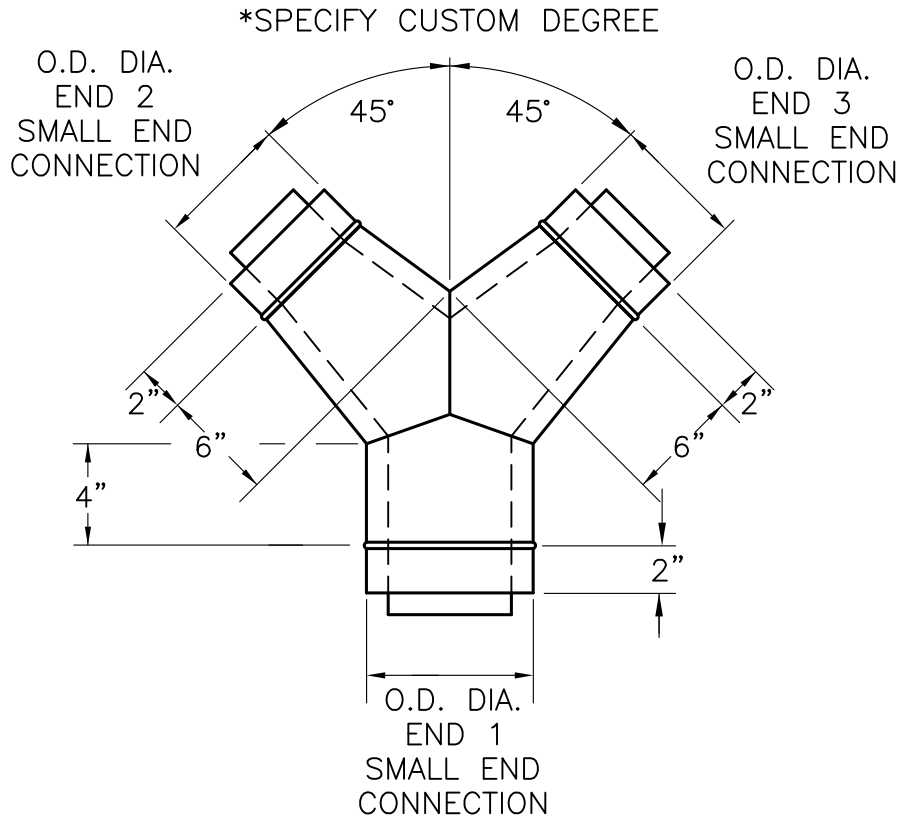


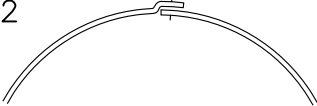
	<u>TAG</u>	<u>QTY.</u>	<u>DIA. END 1</u> O.D./I.D.
SYSTEM NUMBER/AREA : _____	_____	_____	/
MATERIAL/STATIC WG : _____	_____	_____	/
INNER: SOLID <input type="checkbox"/> PERF <input type="checkbox"/> PERF W/MYLAR <input type="checkbox"/>	_____	_____	/
FABRICATE IN ACCORDANCE WITH SMACNA DUCT CONSTRUCTION STANDARDS	_____	_____	/
1" OR 2" INSULATION	_____	_____	/
<u>TRANSVERSE JOINT</u>	_____	_____	/
SMALL END SLIP CONNECTION	_____	_____	/
<u>LONGITUDINAL SEAMS</u>	_____	_____	/
LAP, SPOTWELD AND SEAL	_____	_____	/
RL-2 	_____	_____	/
	_____	_____	/

www.langdonsheetmetal.com

SUBMITTAL DOUBLE WALL SPIRAL FITTINGS

#132 45° Y BRANCH REDUCING

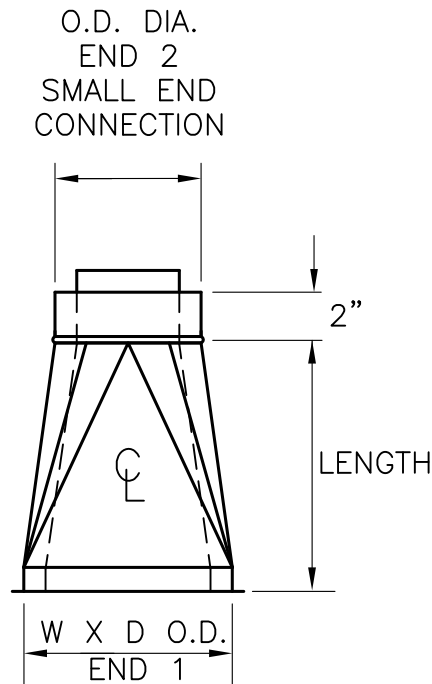


			DIA. END 1	DIA. END 2	DIA. END 3
SYSTEM NUMBER/AREA : _____	TAG	QTY.	O.D./I.D.	O.D./I.D.	O.D./I.D.
MATERIAL/STATIC WG : _____	_____	_____	/	/	/
INNER: SOLID <input type="checkbox"/> PERF <input type="checkbox"/> PERF W/MYLAR <input type="checkbox"/>	_____	_____	/	/	/
FABRICATE IN ACCORDANCE WITH SMACNA DUCT CONSTRUCTION STANDARDS	_____	_____	/	/	/
1" OR 2" INSULATION	_____	_____	/	/	/
<u>TRANSVERSE JOINT</u>	_____	_____	/	/	/
SMALL END SLIP CONNECTION	_____	_____	/	/	/
<u>LONGITUDINAL SEAMS</u>	_____	_____	/	/	/
LAP, SPOTWELD AND SEAL	_____	_____	/	/	/
RL-2	_____	_____	/	/	/
	_____	_____	/	/	/
	_____	_____	/	/	/

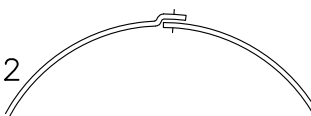
www.langdonsheetmetal.com

SUBMITTAL DOUBLE WALL SPIRAL FITTINGS

#50 CENTER LINE SQUARE TO ROUND



S & D-TDC-FLG-RAW

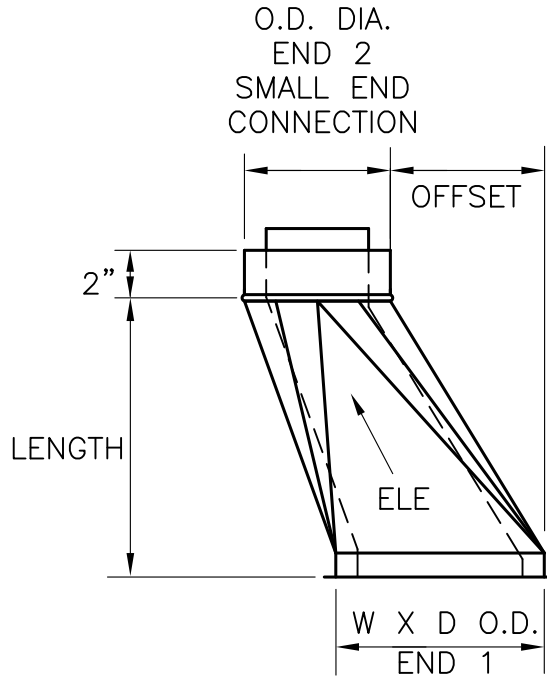
			<u>W X D O.D.</u> <u>END 1</u> <u>CENTERLINE</u>	<u>CONN.</u> <u>TYPE</u> <u>END 1</u>	<u>DIA. END 2</u> <u>CENTERLINE</u> <u>O.D./I.D.</u>
SYSTEM NUMBER/AREA : _____					
MATERIAL/STATIC WG : _____	<u>TAG</u>	<u>QTY.</u>			
INNER: SOLID <input type="checkbox"/> PERF <input type="checkbox"/> PERF W/MYLAR <input type="checkbox"/>			X		/
FABRICATE IN ACCORDANCE WITH			X		/
SMACNA DUCT CONSTRUCTION STANDARDS			X		/
1" OR 2" INSULATION			X		/
<u>END 1 TRANSVERSE JOINT</u>			X		/
S & D-TDC-FLG-RAW			X		/
<u>END 2 TRANSVERSE JOINT</u>			X		/
SMALL END SLIP CONNECTION			X		/
<u>LONGITUDINAL SEAMS</u>			X		/
LAP, SPOTWELD AND SEAL			X		/
RL-2 			X		/
<u>LENGTH (6" MINIMUM)</u>			X		/

END 1 (W OR D LARGEST ONE)
- END 2

www.langdonsheetmetal.com

SUBMITTAL DOUBLE WALL SPIRAL FITTINGS

#74 OFFSET SQUARE TO ROUND



S & D-TDC-FLG-RAW

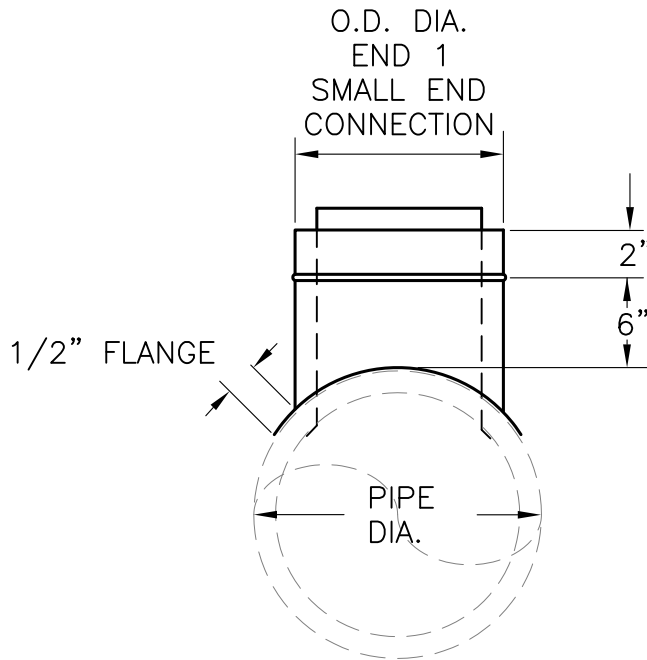
SYSTEM NUMBER/AREA :	TAG	QTY.	O.D. W X D END 1	CONN. TYPE END 1	DIA END 2 O.D./I.D.	OFFSET	ELE. TU/TD	
MATERIAL/STATIC WG :			X		/			
INNER: SOLID <input type="checkbox"/> PERF <input type="checkbox"/> PERF W/MYLAR <input type="checkbox"/>			X		/			
FABRICATE IN ACCORDANCE WITH SMACNA DUCT CONSTRUCTION STANDARDS			X		/			
1" OR 2" INSULATION			X		/			
<u>END 1 TRANSVERSE JOINT</u> S & D-TDC-FLG-RAW			X		/			
<u>END 2 TRANSVERSE JOINT</u>			X		/			
SMALL END SLIP CONNECTION			X		/			
<u>LONGITUDINAL SEAMS</u> LAP, SPOTWELD AND SEAL			X		/			
<u>RL-2</u>			X		/			

LENGTH (6" MINIMUM)
OFFSET X 2

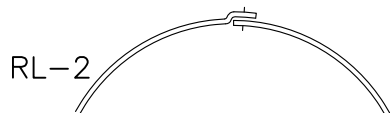
www.langdonsheetmetal.com

SUBMITTAL DOUBLE WALL SPIRAL FITTINGS

#67-90 FIELD MOUNTED STRAIGHT TAP ON ROUND



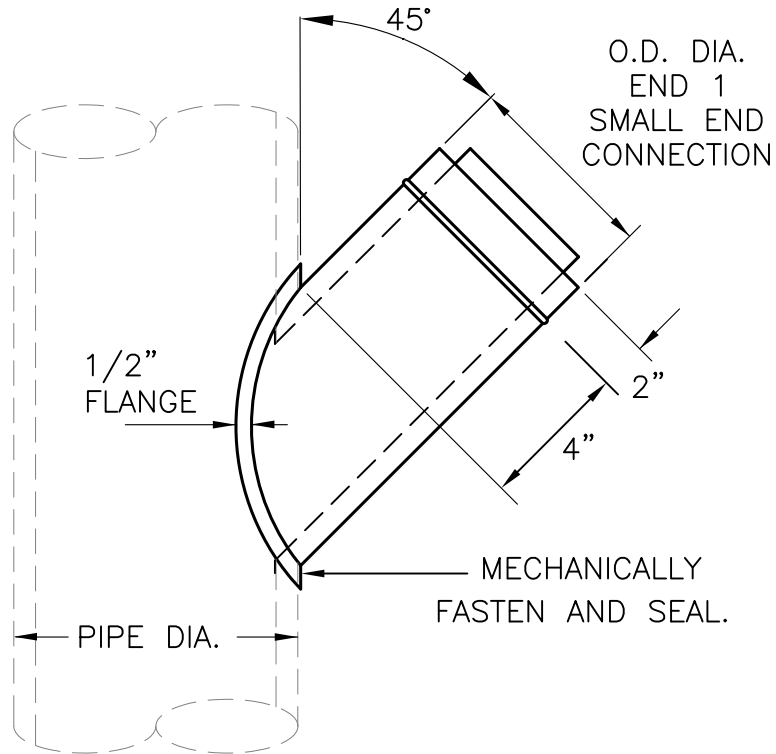
	<u>TAG</u>	<u>QTY.</u>	<u>DIA. END 1</u> O.D./I.D.	<u>PIPE DIA.</u> O.D./I.D.
SYSTEM NUMBER/AREA : _____			/	/
MATERIAL/STATIC WG : _____			/	/
INNER: SOLID <input type="checkbox"/> PERF <input type="checkbox"/> PERF W/MYLAR <input type="checkbox"/>			/	/
FABRICATE IN ACCORDANCE WITH SMACNA DUCT CONSTRUCTION STANDARDS			/	/
1" OR 2" INSULATION			/	/
<u>TRANSVERSE JOINT</u>			/	/
SMALL END SLIP CONNECTION			/	/
<u>LONGITUDINAL SEAMS</u>			/	/
LAP, SPOTWELD AND SEAL			/	/
			/	/
			/	/
			/	/
			/	/
			/	/
			/	/
			/	/

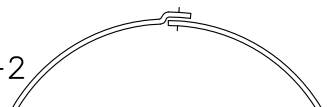


SUBMITTAL DOUBLE WALL SPIRAL FITTINGS

#67 FIELD MOUNTED LATERAL TAP

*SPECIFY
CUSTOM DEGREE

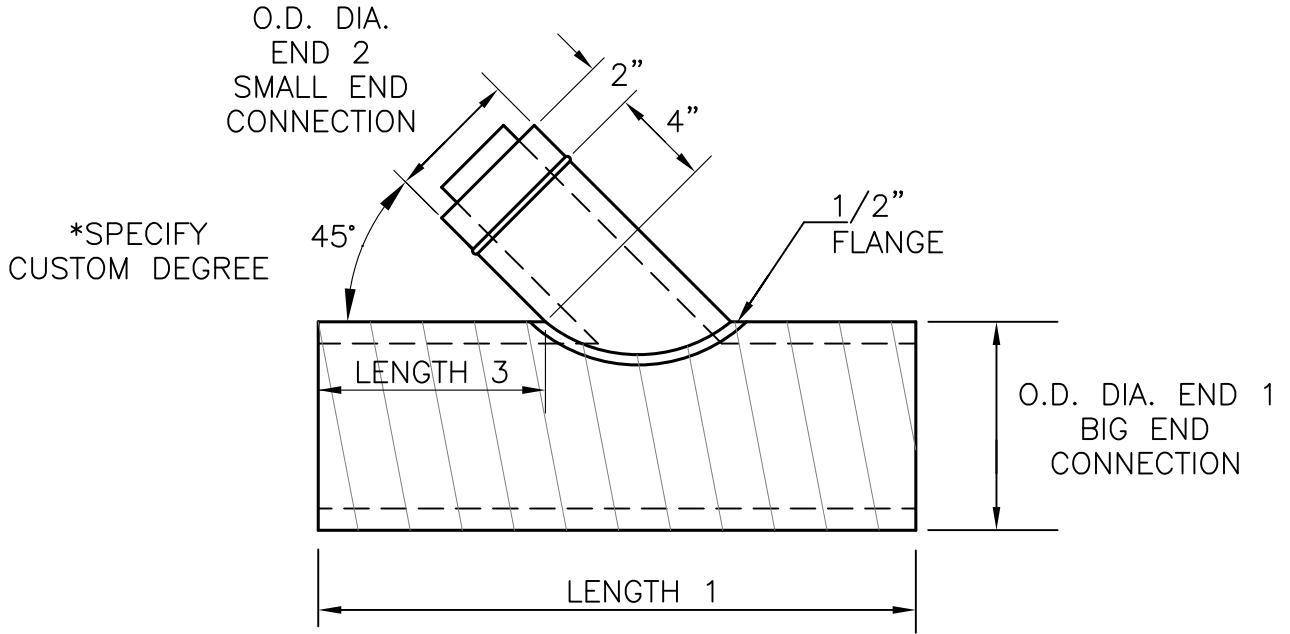


	<u>TAG</u>	<u>QTY.</u>	<u>DIA. END 1</u> O.D./I.D.	<u>PIPE DIA.</u>
SYSTEM NUMBER/AREA : _____	_____	_____	/	_____
MATERIAL/STATIC WG : _____	_____	_____	/	_____
INNER: SOLID <input type="checkbox"/> PERF <input type="checkbox"/> PERF W/MYLAR <input type="checkbox"/>	_____	_____	/	_____
FABRICATE IN ACCORDANCE WITH SMACNA DUCT CONSTRUCTION STANDARDS	_____	_____	/	_____
1" OR 2" INSULATION	_____	_____	/	_____
<u>TRANSVERSE JOINT</u>	_____	_____	/	_____
SMALL END SLIP CONNECTION	_____	_____	/	_____
<u>LONGITUDINAL SEAMS</u>	_____	_____	/	_____
LAP, SPOTWELD AND SEAL	_____	_____	/	_____
RL-2 	_____	_____	/	_____

www.langdonsheetmetal.com

SUBMITTAL DOUBLE WALL SPIRAL FITTINGS

#54S LATERAL SHOP MOUNTED



SYSTEM NUMBER/AREA : _____

MATERIAL/STATIC WG : _____

INNER: SOLID PERF PERF W/MYLAR

FABRICATE IN ACCORDANCE WITH
SMACNA DUCT CONSTRUCTION STANDARDS

1" OR 2" INSULATION

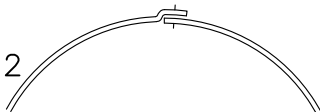
TRANSVERSE JOINT

SMALL END SLIP CONNECTION

LATERAL LONGITUDINAL SEAM

LAP, SPOTWELD AND SEAL

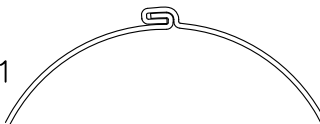
RL-2



BODY LONGITUDINAL SEAM

SPIRAL SEAM

RL-1

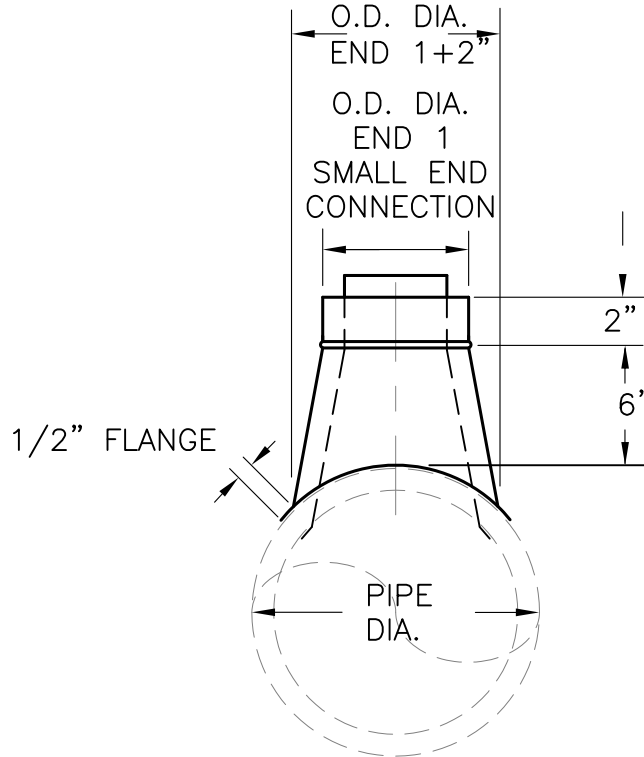


			<u>DIA. END 1</u>	<u>DIA. END 2</u>		
	<u>TAG</u>	<u>QTY.</u>	<u>O.D./I.D.</u>	<u>O.D./I.D.</u>	<u>LG 1</u>	<u>LG 3</u>
INNER: SOLID <input type="checkbox"/> PERF <input type="checkbox"/> PERF W/MYLAR <input type="checkbox"/>	_____	_____	/	/	_____	_____
FABRICATE IN ACCORDANCE WITH SMACNA DUCT CONSTRUCTION STANDARDS	_____	_____	/	/	_____	_____
1" OR 2" INSULATION	_____	_____	/	/	_____	_____
<u>TRANSVERSE JOINT</u>	_____	_____	/	/	_____	_____
SMALL END SLIP CONNECTION	_____	_____	/	/	_____	_____
<u>LATERAL LONGITUDINAL SEAM</u>	_____	_____	/	/	_____	_____
LAP, SPOTWELD AND SEAL	_____	_____	/	/	_____	_____
RL-2	_____	_____	/	/	_____	_____
<u>BODY LONGITUDINAL SEAM</u>	_____	_____	/	/	_____	_____
SPIRAL SEAM	_____	_____	/	/	_____	_____
RL-1	_____	_____	/	/	_____	_____

www.langdonsheetmetal.com

SUBMITTAL DOUBLE WALL SPIRAL FITTINGS

#56T CONICAL TAP ON ROUND

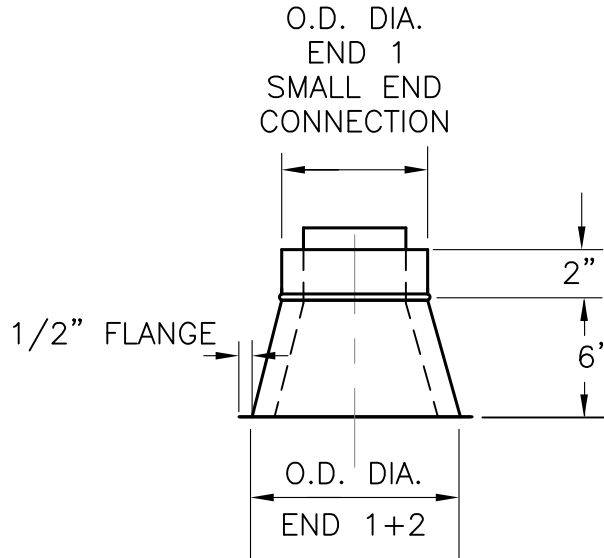


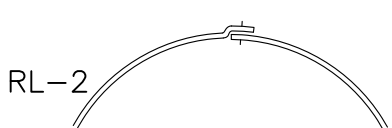
	<u>TAG</u>	<u>QTY.</u>	<u>DIA. END 1</u> O.D./I.D.	<u>PIPE DIA.</u> O.D./I.D.
SYSTEM NUMBER/AREA : _____	_____	_____	/	/
MATERIAL/STATIC WG : _____	_____	_____	/	/
INNER: SOLID <input type="checkbox"/> PERF <input type="checkbox"/> PERF W/MYLAR <input type="checkbox"/>	_____	_____	/	/
FABRICATE IN ACCORDANCE WITH SMACNA DUCT CONSTRUCTION STANDARDS	_____	_____	/	/
1" OR 2" INSULATION	_____	_____	/	/
<u>TRANSVERSE JOINT</u>	_____	_____	/	/
SMALL END SLIP CONNECTION	_____	_____	/	/
<u>LONGITUDINAL SEAMS</u>	_____	_____	/	/
LAP, SPOTWELD AND SEAL	_____	_____	/	/
RL-2	_____	_____	/	/
	_____	_____	/	/
	_____	_____	/	/

www.langdonsheetmetal.com

SUBMITTAL DOUBLE WALL SPIRAL FITTINGS

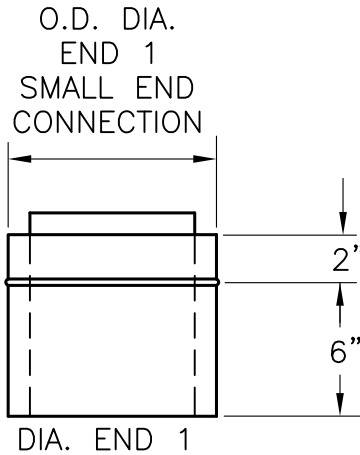
#57T CONICAL TAP ON RECTANGULAR DUCTWORK



	<u>TAG</u>	<u>QTY.</u>	<u>DIA. END 1</u> O.D./I.D.
SYSTEM NUMBER/AREA : _____	_____	_____	/
MATERIAL/STATIC WG : _____	_____	_____	/
INNER: SOLID <input type="checkbox"/> PERF <input type="checkbox"/> PERF W/MYLAR <input type="checkbox"/>	_____	_____	/
FABRICATE IN ACCORDANCE WITH SMACNA DUCT CONSTRUCTION STANDARDS	_____	_____	/
1" OR 2" INSULATION	_____	_____	/
<u>TRANSVERSE JOINT</u>	_____	_____	/
SMALL END SLIP CONNECTION	_____	_____	/
<u>LONGITUDINAL SEAMS</u>	_____	_____	/
LAP, SPOTWELD AND SEAL	_____	_____	/
RL-2 	_____	_____	/
	_____	_____	/
	_____	_____	/

SUBMITTAL DOUBLE WALL SPIRAL FITTINGS

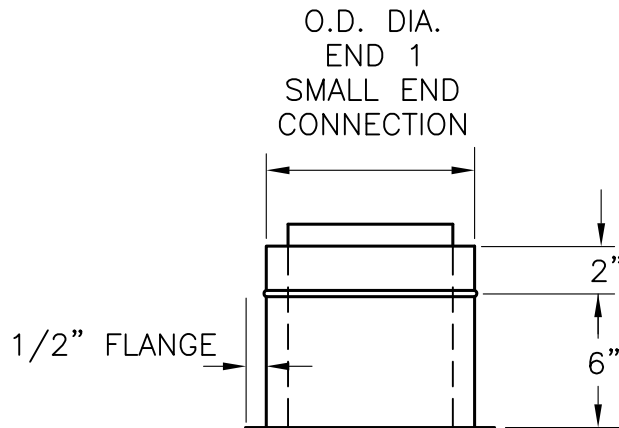
#100C EQUIPMENT COLLAR-(HOODS, AIR VALVES, ECT.)

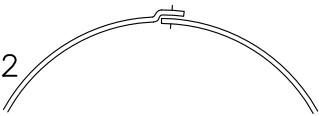


	<u>TAG</u>	<u>QTY.</u>	<u>DIA. END 1</u> O.D./I.D.
SYSTEM NUMBER/AREA : _____	_____	_____	/
MATERIAL/STATIC WG : _____	_____	_____	/
INNER: SOLID <input type="checkbox"/> PERF <input type="checkbox"/> PERF W/MYLAR <input type="checkbox"/>	_____	_____	/
FABRICATE IN ACCORDANCE WITH SMACNA DUCT CONSTRUCTION STANDARDS	_____	_____	/
1" OR 2" INSULATION	_____	_____	/
<u>TRANSVERSE JOINT</u>	_____	_____	/
SMALL END SLIP CONNECTION	_____	_____	/
<u>LONGITUDINAL SEAMS</u>	_____	_____	/
LAP, SPOTWELD AND SEAL	_____	_____	/
RL-2	_____	_____	/
	_____	_____	/
	_____	_____	/

SUBMITTAL DOUBLE WALL SPIRAL FITTINGS

#100T FIELD MOUNTED STRAIGHT TAP ON RECTANGULAR



	<u>TAG</u>	<u>QTY.</u>	<u>DIA. END 1</u> O.D./I.D.
SYSTEM NUMBER/AREA : _____	_____	_____	/
MATERIAL/STATIC WG : _____	_____	_____	/
INNER: SOLID <input type="checkbox"/> PERF <input type="checkbox"/> PERF W/MYLAR <input type="checkbox"/>	_____	_____	/
FABRICATE IN ACCORDANCE WITH SMACNA DUCT CONSTRUCTION STANDARDS	_____	_____	/
1" OR 2" INSULATION	_____	_____	/
<u>TRANSVERSE JOINT</u>	_____	_____	/
SMALL END SLIP CONNECTION	_____	_____	/
<u>LONGITUDINAL SEAMS</u>	_____	_____	/
LAP, SPOTWELD AND SEAL	_____	_____	/
RL-2 	_____	_____	/
	_____	_____	/
	_____	_____	/

