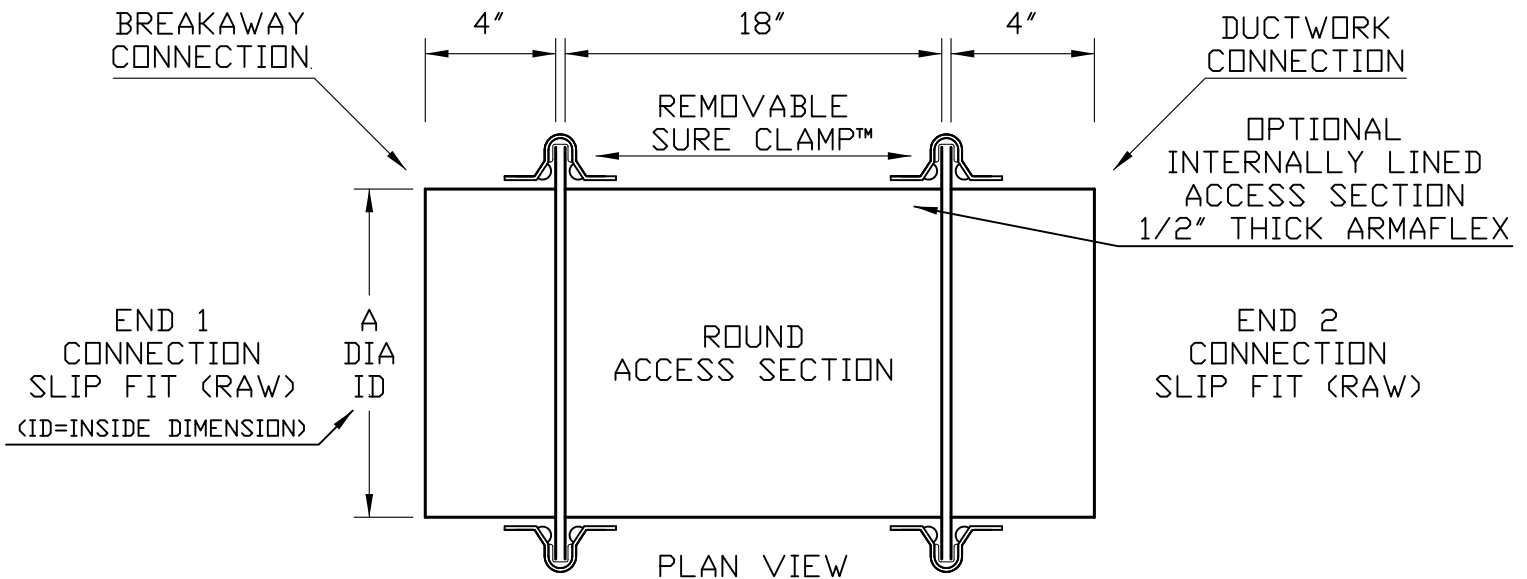


# ORDER FORM

## SURE • CLAMP™ ACCESS

(PATENT PENDING)



MATERIAL : 4"Ø/12"Ø 22 GAUGE GALVANIZED  
 13"Ø/18"Ø 20 GAUGE GALVANIZED

FABRICATE IN ACCORDANCE WITH  
 LANGDON'S DUCT CONSTRUCTION STANDARDS

MAXIMUM ACCESS SIZE 18" DIAMETER

TAG	QTY.	END 1 (A) 12"Ø ID	LINER.
EXAMPLE	1		YES/NO <input checked="" type="radio"/>
_____	_____	_____	YES/NO
_____	_____	_____	YES/NO
_____	_____	_____	YES/NO
_____	_____	_____	YES/NO
_____	_____	_____	YES/NO
_____	_____	_____	YES/NO
_____	_____	_____	YES/NO
_____	_____	_____	YES/NO
_____	_____	_____	YES/NO

[www.langdonsheetmetal.com](http://www.langdonsheetmetal.com)