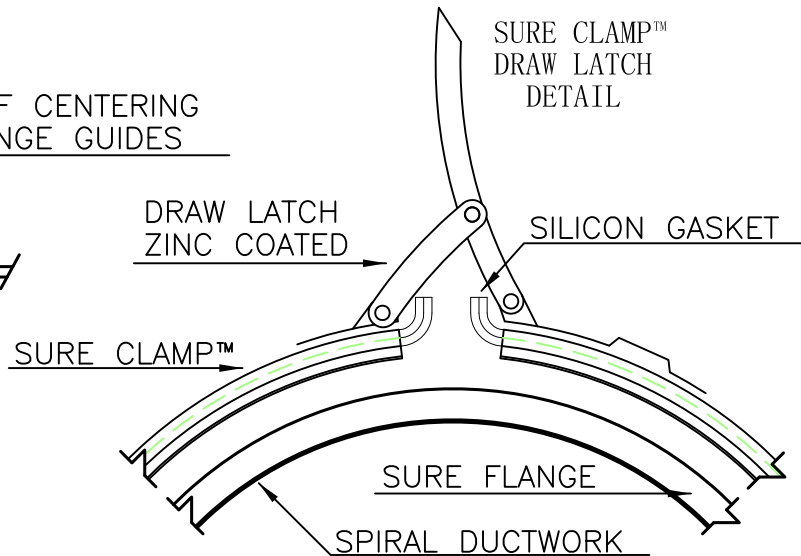
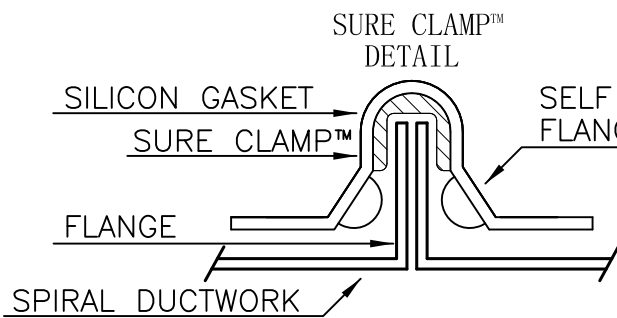
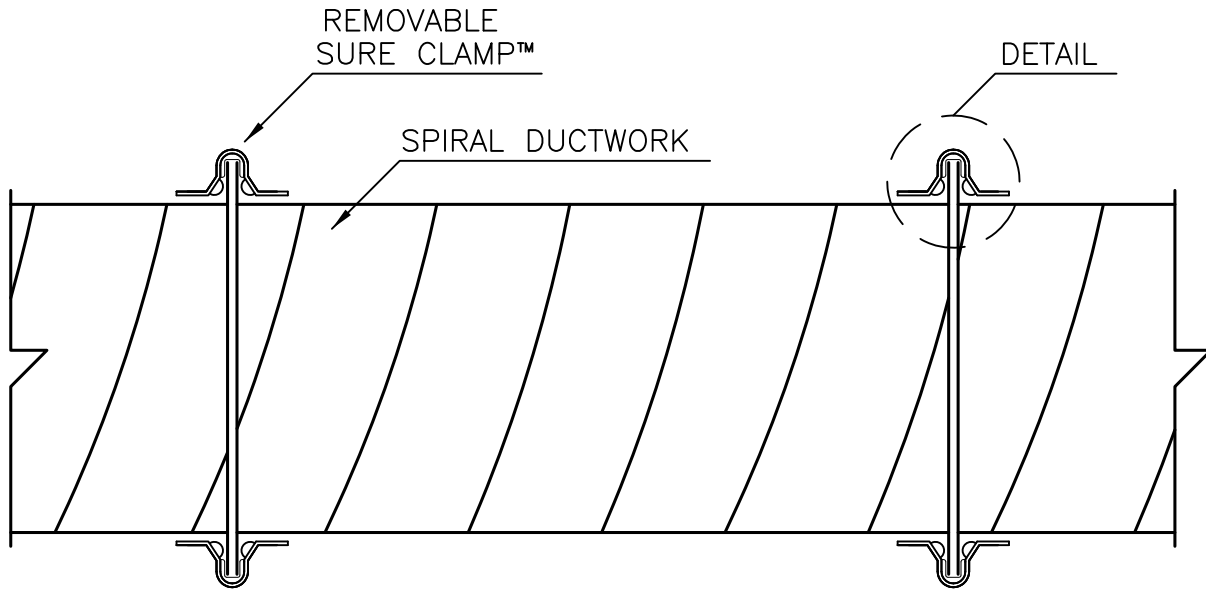


SUBMITTAL SURE • CLAMP™ (PATENTED)



CONTINUOUS WELDED

CONTINUOUS WELDED SURE CLAMP
DUCTWORK IS AVAILABLE ON REQUEST
18-16-14 GAUGE

**GALVANIZED SPIRAL & FITTING GAUGE CHART
UNREINFORCED**

NEGATIVE PRESSURE TO 20" W.G.		
DIAMETER	FITTING	SPIRAL
4"-12"	22 GAUGE	22 GAUGE
13"-22"	20 GAUGE	20 GAUGE

**STAINLESS STEEL SPIRAL & FITTING GAUGE CHART
REINFORCE PER SMACNA STANDARDS**

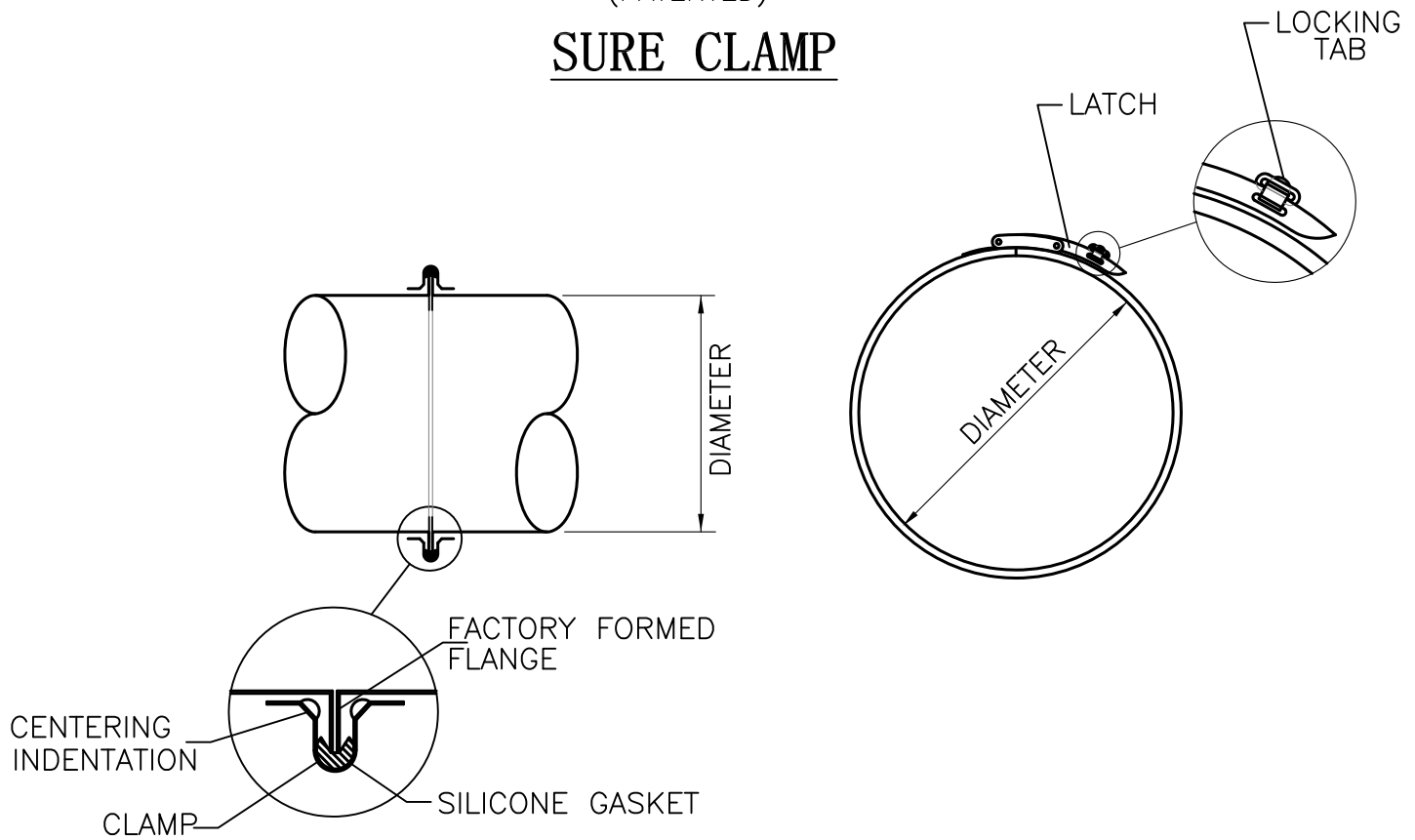
NEGATIVE PRESSURE TO 10" W.G.		
DIAMETER	FITTING	SPIRAL
4"-12"	24 GAUGE	24 GAUGE
13"-22"	22 GAUGE	22 GAUGE

www.langdonsheetmetal.com

Cincinnati, Ohio. 45215
The above mentioned product, is protected by patents and trade marks
All Rights Reserved updated 2/15/13

SUBMITTAL GALVANIZED SURE • CLAMP (PATENTED)

SURE CLAMP



SYSTEM NUMBER/AREA : _____
 MATERIAL TYPE : GALVANIZED

QTY. DIAMETER

FABRICATE IN ACCORDANCE WITH
 LANGDON'S DUCT CONSTRUCTION STANDARDS

ZINC COATED LATCHES ARE PROVIDED
 FOR GALVANIZED CLAMPS.

INSTALL LOCKING TABS TO SECURE
 SURE CLAMP HANDLE



STANDARD SIZES 4"Ø THRU 22"Ø

<u>QTY.</u>	<u>DIAMETER</u>
_____	_____
_____	_____
_____	_____
_____	_____
_____	_____
_____	_____
_____	_____
_____	_____
_____	_____
_____	_____

www.langdonsheetmetal.com

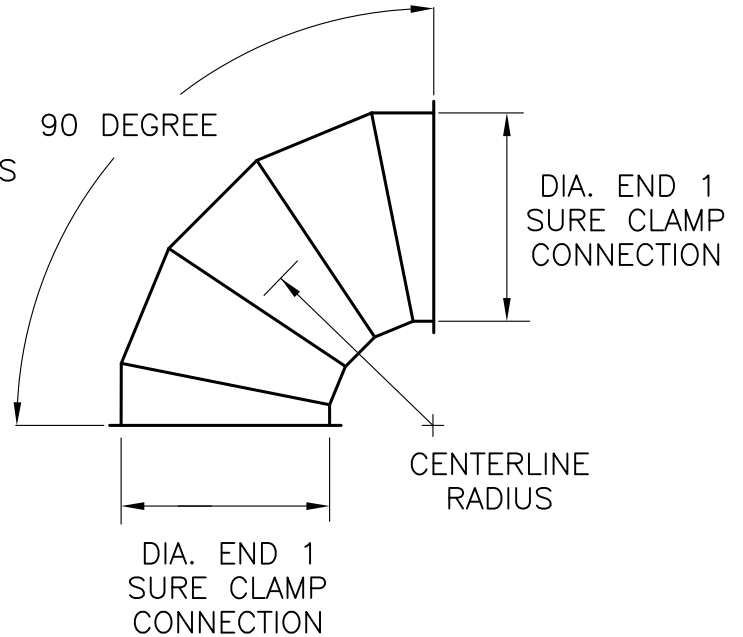
SUBMITTAL

SURE • CLAMP 14 GA. GALVANIZED FITTINGS

(PATENTED)

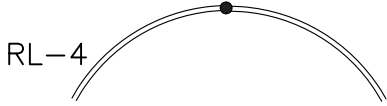
#52 ELBOWS

*SPECIFY
CUSTOM DEGREE
&
CENTERLINE RADIUS



SYSTEM NUMBER/AREA : _____
MATERIAL : 14 GA. GALVANIZED

FABRICATE IN ACCORDANCE WITH
LANGDON'S DUCT CONSTRUCTION STANDARDS

<u>TRANSVERSE JOINT</u> SURE CLAMP	<u>TAG</u>	<u>QTY.</u>	<u>DEGREE</u>	<u>DIA END 1</u>
<u>LONGITUDINAL/TRANSVERSE SEAMS</u> ANSI/AWS D9.1-90 MIG WELDED (GMAW)	_____	_____	_____	_____
RL-4 	_____	_____	_____	_____
<u>CENTERLINE RADIUS</u> 1.5 X DIAMETER	_____	_____	_____	_____
GORE AMOUNT	_____	_____	_____	_____
0-22 DEG. = 2 GORE	_____	_____	_____	_____
23-45 DEG. = 3 GORE	_____	_____	_____	_____
46-60 DEG. = 4 GORE	_____	_____	_____	_____
61-90 DEG. = 5 GORE	_____	_____	_____	_____

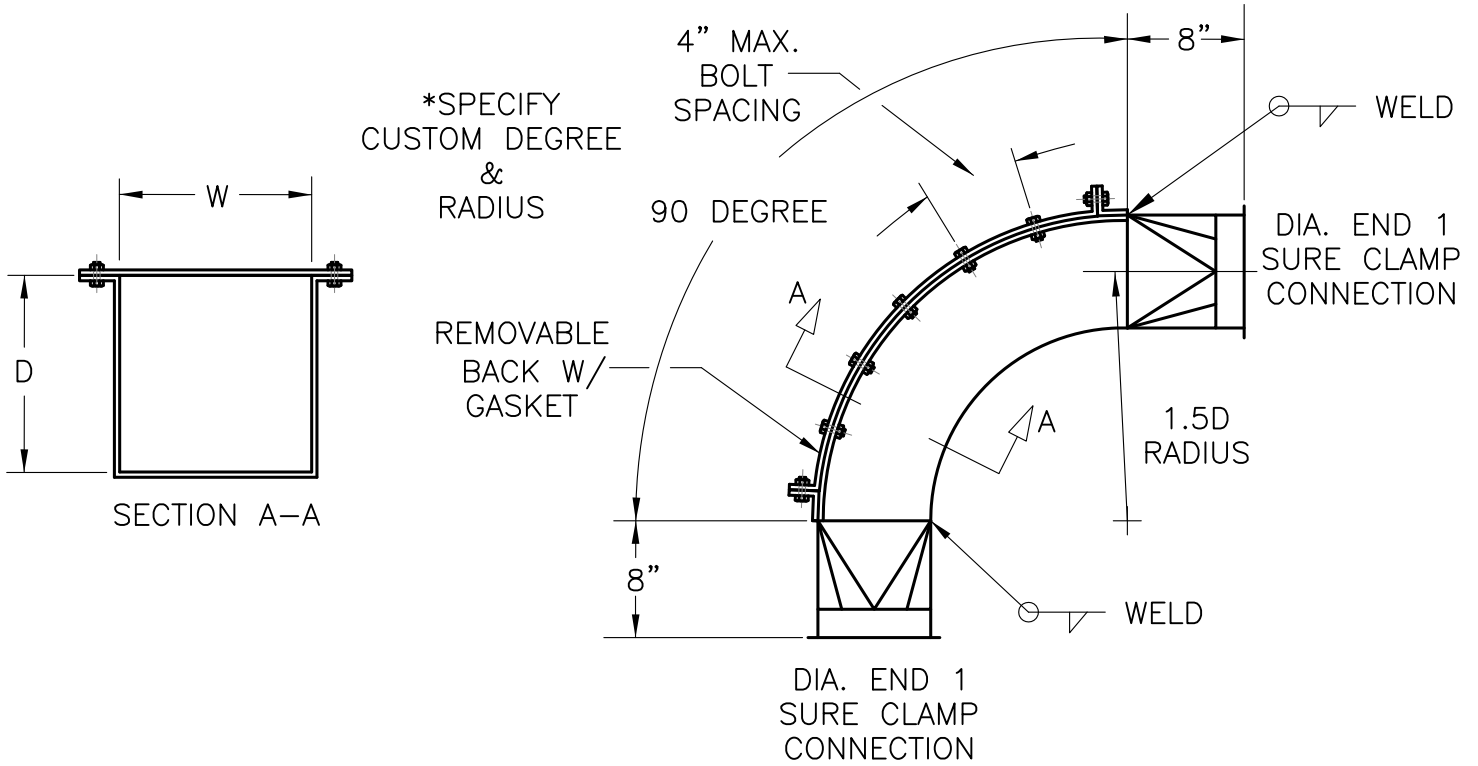
STANDARD SIZES 4"Ø THRU 22"Ø

www.langdonsheetmetal.com

SUBMITTAL

SURE • CLAMP 14 GA. GALVANIZED FITTINGS (PATENTED)

ELBOW FLATBACK



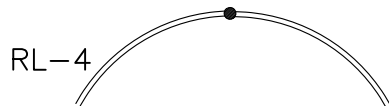
SYSTEM NUMBER/AREA : _____
 MATERIAL : 14 GA. GALVANIZED

TAG QTY. DEGREE DIA. END 1

FABRICATE IN ACCORDANCE WITH
 LANGDON'S DUCT CONSTRUCTION STANDARDS

TRANSVERSE JOINT
 SURE CLAMP

LONGITUDINAL/TRANSVERSE SEAMS
 ANSI/AWS D9.1-90 MIG WELDED (GMAW)



W = DIA END 1
 D = DIA END 1

STANDARD SIZES 4"ϕ THRU 22"ϕ

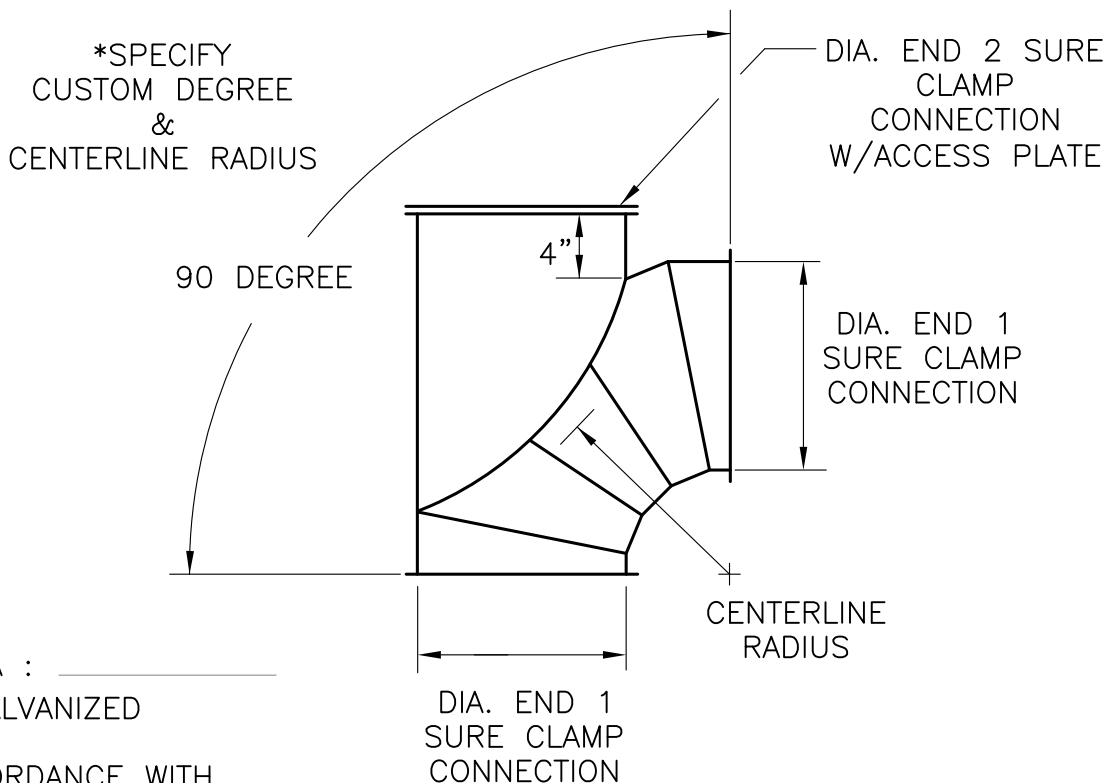
<u>TAG</u>	<u>QTY.</u>	<u>DEGREE</u>	<u>DIA. END 1</u>
_____	_____	_____	_____
_____	_____	_____	_____
_____	_____	_____	_____
_____	_____	_____	_____
_____	_____	_____	_____
_____	_____	_____	_____
_____	_____	_____	_____
_____	_____	_____	_____
_____	_____	_____	_____
_____	_____	_____	_____
_____	_____	_____	_____
_____	_____	_____	_____
_____	_____	_____	_____
_____	_____	_____	_____
_____	_____	_____	_____
_____	_____	_____	_____
_____	_____	_____	_____
_____	_____	_____	_____
_____	_____	_____	_____
_____	_____	_____	_____
_____	_____	_____	_____
_____	_____	_____	_____
_____	_____	_____	_____
_____	_____	_____	_____
_____	_____	_____	_____

SUBMITTAL

SURE • CLAMP 14 GA. GALVANIZED FITTINGS

(PATENTED)

#52 ELBOWS/CLEANOUT DOOR



SYSTEM NUMBER/AREA : _____

MATERIAL : 14 GA. GALVANIZED

FABRICATE IN ACCORDANCE WITH
LANGDON'S DUCT CONSTRUCTION STANDARDS

TRANSVERSE JOINT
SURE CLAMP

TAG

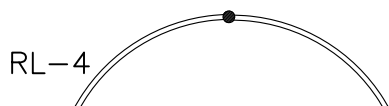
QTY.

DIA.
END 1

DIA.
END 2

LONGITUDINAL/TRANSVERSE SEAMS

ANSI/AWS D9.1-90 MIG WELDED (GMAW)



CENTERLINE RADIUS
1.5 X DIAMETER

GORE AMOUNT
90 DEG. = 5 GORE

STANDARD SIZES 4"Ø THRU 22"Ø

<u>TAG</u>	<u>QTY.</u>	<u>DIA.</u> <u>END 1</u>	<u>DIA.</u> <u>END 2</u>
_____	_____	_____	_____
_____	_____	_____	_____
_____	_____	_____	_____
_____	_____	_____	_____
_____	_____	_____	_____
_____	_____	_____	_____
_____	_____	_____	_____
_____	_____	_____	_____
_____	_____	_____	_____
_____	_____	_____	_____

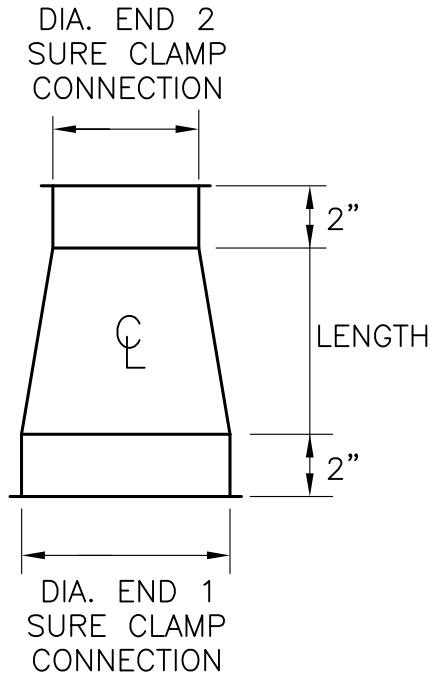
www.langdonsheetmetal.com

SUBMITTAL

SURE • CLAMP 14 GA. GALVANIZED FITTINGS

(PATENTED)

#57 CONCENTRIC REDUCER



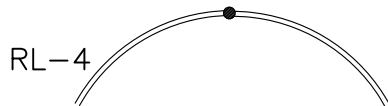
SYSTEM NUMBER/AREA : _____
 MATERIAL : 14 GA. GALVANIZED

TAG QTY. DIA. END 1 DIA END 2

FABRICATE IN ACCORDANCE WITH
 LANGDON'S DUCT CONSTRUCTION STANDARDS

TRANSVERSE JOINT
 SURE CLAMP

LONGITUDINAL/TRANSVERSE SEAMS
 ANSI/AWS D9.1-90 MIG WELDED (GMAW)



LENGTH (4" MINIMUM)
 END 1 - END 2

STANDARD SIZES 4"Ø THRU 22"Ø

_____	_____	_____	_____	_____
_____	_____	_____	_____	_____
_____	_____	_____	_____	_____
_____	_____	_____	_____	_____
_____	_____	_____	_____	_____
_____	_____	_____	_____	_____
_____	_____	_____	_____	_____
_____	_____	_____	_____	_____
_____	_____	_____	_____	_____
_____	_____	_____	_____	_____

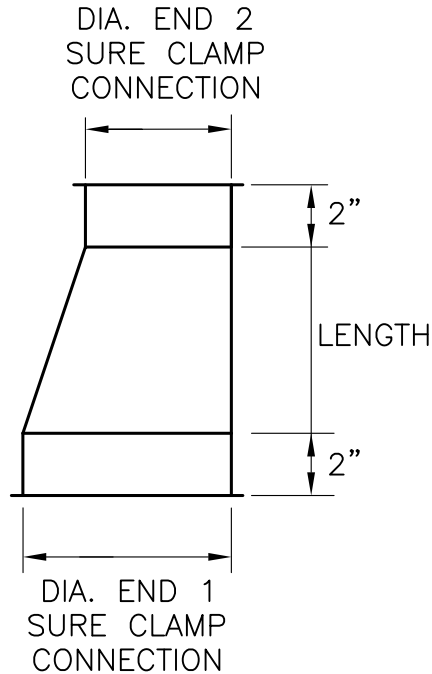
www.langdonsheetmetal.com

SUBMITTAL

SURE • CLAMP 14 GA. GALVANIZED FITTINGS

(PATENTED)

#69 ECENTRIC REDUCER



SYSTEM NUMBER/AREA : _____
 MATERIAL : 14 GA. GALVANIZED

TAG QTY. DIA. END 1 DIA END 2

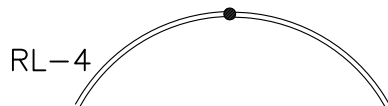
FABRICATE IN ACCORDANCE WITH
 LANGDON'S DUCT CONSTRUCTION STANDARDS

TRANSVERSE JOINT

SURE CLAMP

LONGITUDINAL/TRANSVERSE SEAMS

ANSI/AWS D9.1-90 MIG WELDED (GMAW)



LENGTH (4" MINIMUM)

(END 1 - END 2) x 2

STANDARD SIZES 4"Ø THRU 22"Ø

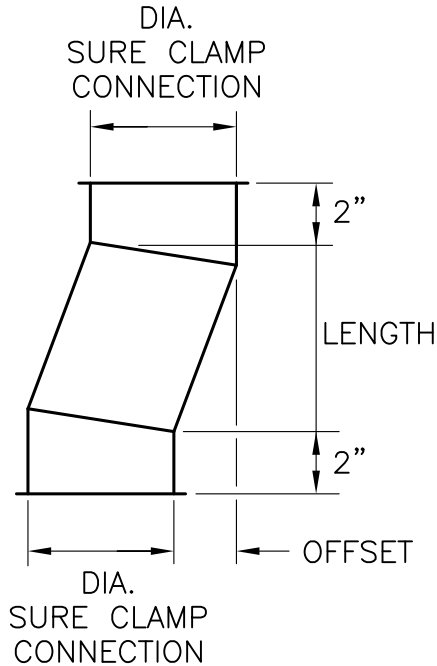
www.langdonsheetmetal.com

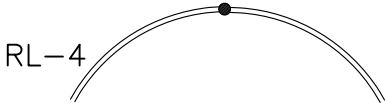
SUBMITTAL

SURE • CLAMP 14 GA. GALVANIZED FITTINGS

(PATENTED)

#53 OFFSET



	<u>TAG</u>	<u>QTY.</u>	<u>DIA.</u>	<u>OFFSET</u>
SYSTEM NUMBER/AREA : _____				
MATERIAL : 14 GA. GALVANIZED	_____	_____	_____	_____
FABRICATE IN ACCORDANCE WITH LANGDON'S DUCT CONSTRUCTION STANDARDS	_____	_____	_____	_____
<u>TRANSVERSE JOINT</u> SURE CLAMP	_____	_____	_____	_____
<u>LONGITUDINAL/TRANSVERSE SEAMS</u> ANSI/AWS D9.1-90 MIG WELDED (GMAW)	_____	_____	_____	_____
RL-4 	_____	_____	_____	_____
<u>LENGTH (6" MINIMUM)</u> OFFSET X 2	_____	_____	_____	_____

STANDARD SIZES 4"Ø THRU 22"Ø

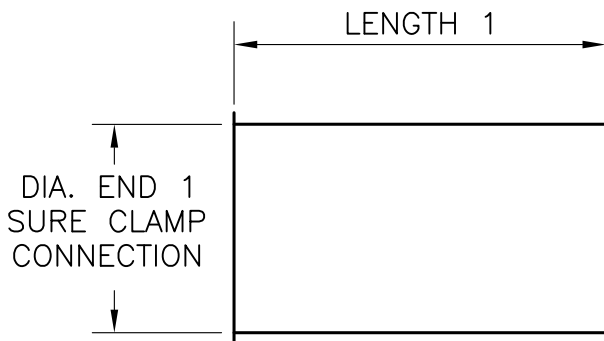
www.langdonsheetmetal.com

SUBMITTAL

SURE • CLAMP 14 GA. GALVANIZED FITTINGS

(PATENTED)

#100S STRAIGHT DUCTWORK

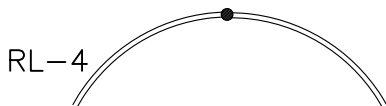


SYSTEM NUMBER/AREA : _____
 MATERIAL : 14 GA. GALVANIZED

FABRICATE IN ACCORDANCE WITH
 LANGDON'S DUCT CONSTRUCTION STANDARDS

TRANSVERSE JOINT
 SURE CLAMP

LONGITUDINAL/TRANSVERSE SEAMS
 ANSI/AWS D9.1-90 MIG WELDED (GMAW)



STANDARD SIZES 4"φ THRU 22"φ

LENGTH 1 = 10' MAX.

SPECIAL LENGTHS AVAILABLE UPON REQUEST

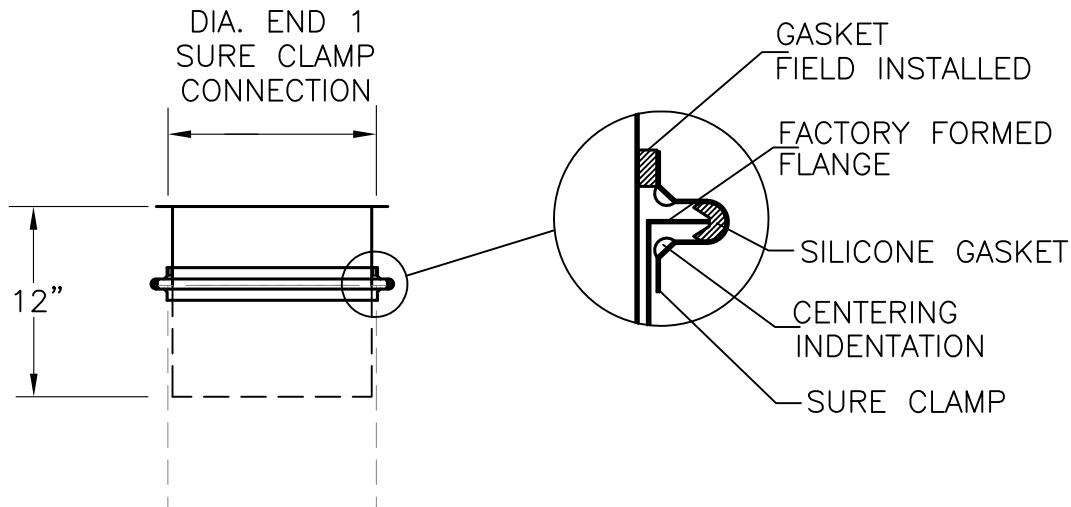
<u>TAG</u>	<u>QTY.</u>	<u>DIA. END 1</u>	<u>LENGTH 1</u>
_____	_____	_____	_____
_____	_____	_____	_____
_____	_____	_____	_____
_____	_____	_____	_____
_____	_____	_____	_____
_____	_____	_____	_____
_____	_____	_____	_____
_____	_____	_____	_____
_____	_____	_____	_____
_____	_____	_____	_____
_____	_____	_____	_____
_____	_____	_____	_____
_____	_____	_____	_____
_____	_____	_____	_____
_____	_____	_____	_____
_____	_____	_____	_____
_____	_____	_____	_____
_____	_____	_____	_____
_____	_____	_____	_____
_____	_____	_____	_____
_____	_____	_____	_____
_____	_____	_____	_____
_____	_____	_____	_____

SUBMITTAL

SURE • CLAMP 14 GA. GALVANIZED FITTINGS

(PATENTED)

#100 ADJ-12 DUCTWORK 12" ADJUSTABLE LENGTH END



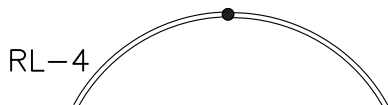
MECHANICAL FASTENERS
MAY BE REQUIRED

SYSTEM NUMBER/AREA : _____
MATERIAL : 14 GA. GALVANIZED

FABRICATE IN ACCORDANCE WITH
LANGDON'S DUCT CONSTRUCTION STANDARDS

TRANSVERSE JOINT
SURE CLAMP

LONGITUDINAL/TRANSVERSE SEAMS
ANSI/AWS D9.1-90 MIG WELDED (GMAW)



STANDARD SIZES 4"Ø THRU 22"Ø

NOTE: NOT RECOMMENDED FOR
VERTICAL DUCTWORK.

<u>TAG</u>	<u>QTY.</u>	<u>DIA. END 1</u>
_____	_____	_____
_____	_____	_____
_____	_____	_____
_____	_____	_____
_____	_____	_____
_____	_____	_____
_____	_____	_____
_____	_____	_____
_____	_____	_____
_____	_____	_____
_____	_____	_____
_____	_____	_____
_____	_____	_____
_____	_____	_____
_____	_____	_____
_____	_____	_____
_____	_____	_____
_____	_____	_____
_____	_____	_____
_____	_____	_____
_____	_____	_____

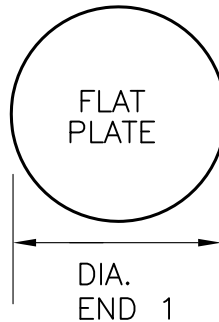
www.langdonsheetmetal.com

SUBMITTAL

SURE • CLAMP 14 GA. GALVANIZED FITTINGS

(PATENTED)

#02 END CAP

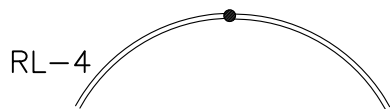


SYSTEM NUMBER/AREA : _____
 MATERIAL : 14 GA. GALVANIZED

FABRICATE IN ACCORDANCE WITH
 LANGDON'S DUCT CONSTRUCTION STANDARDS

TRANSVERSE JOINT
 SURE CLAMP

LONGITUDINAL/TRANSVERSE SEAMS
 ANSI/AWS D9.1-90 MIG WELDED (GMAW)



STANDARD SIZES 4"Ø THRU 22"Ø

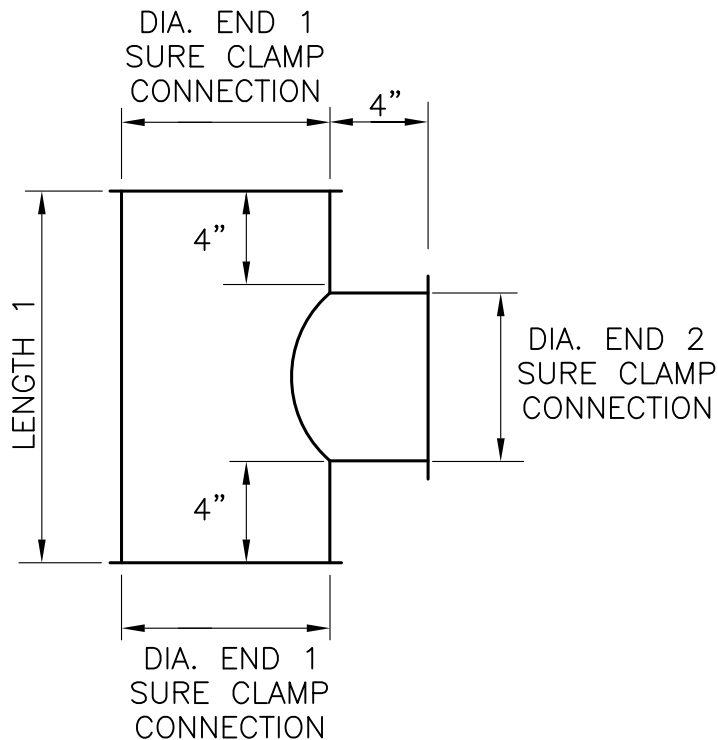
<u>TAG</u>	<u>QTY.</u>	<u>DIA. END 1</u>
_____	_____	_____
_____	_____	_____
_____	_____	_____
_____	_____	_____
_____	_____	_____
_____	_____	_____
_____	_____	_____
_____	_____	_____
_____	_____	_____
_____	_____	_____
_____	_____	_____
_____	_____	_____
_____	_____	_____
_____	_____	_____
_____	_____	_____
_____	_____	_____
_____	_____	_____
_____	_____	_____
_____	_____	_____
_____	_____	_____
_____	_____	_____
_____	_____	_____
_____	_____	_____

SUBMITTAL

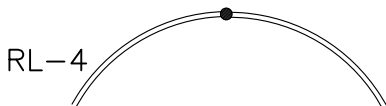
SURE • CLAMP 14 GA. GALVANIZED FITTINGS

(PATENTED)

#55 STRAIGHT 90 DEGREE TEE



SYSTEM NUMBER/AREA : _____	<u>TAG</u>	<u>QTY.</u>	<u>DIA. END 1</u>	<u>DIA. END 2</u>
MATERIAL : 14 GA. GALVANIZED	_____	_____	_____	_____
FABRICATE IN ACCORDANCE WITH LANGDON'S DUCT CONSTRUCTION STANDARDS	_____	_____	_____	_____
<u>TRANSVERSE JOINT</u> SURE CLAMP	_____	_____	_____	_____
<u>LONGITUDINAL/TRANSVERSE SEAMS</u> ANSI/AWS D9.1-90 MIG WELDED (GMAW)	_____	_____	_____	_____
<u>RL-4</u>	_____	_____	_____	_____
<u>LENGTH 1</u>	_____	_____	_____	_____
END 2 + 8"	_____	_____	_____	_____



STANDARD SIZES 4"Ø THRU 22"Ø

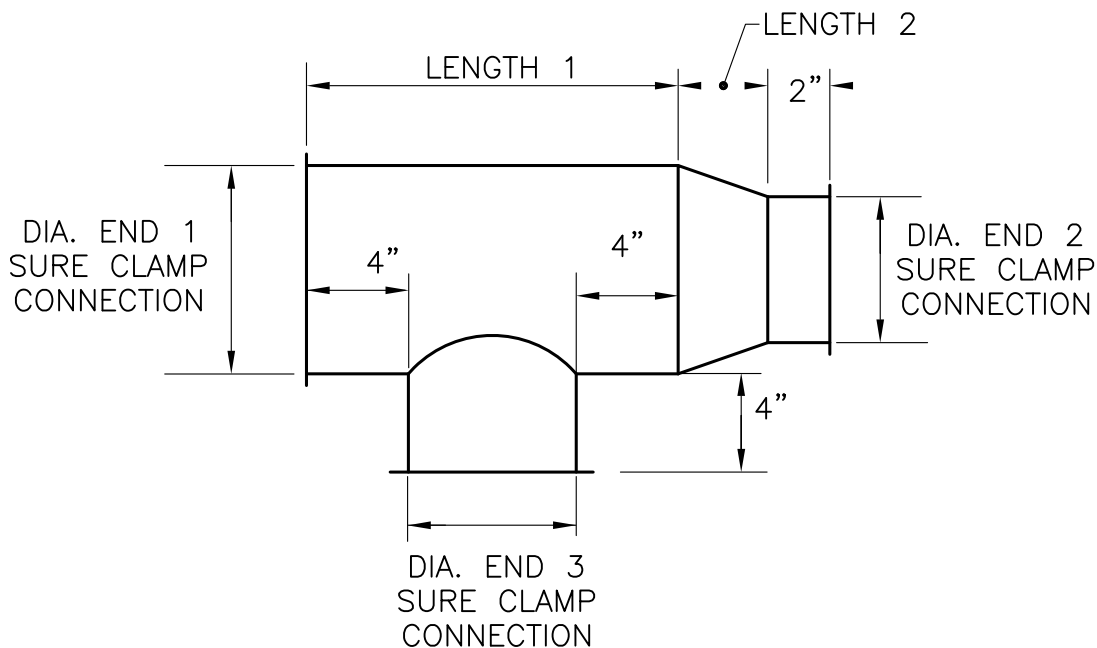
www.langdonsheetmetal.com

SUBMITTAL

SURE • CLAMP 14 GA. GALVANIZED FITTINGS

(PATENTED)

#65 CONCENTRIC REDUCING TEE 90 DEGREE

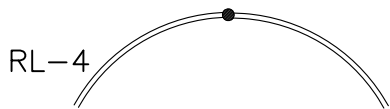


SYSTEM NUMBER/AREA : _____ MATERIAL : 14 GA. GALVANIZED	<u>TAG</u>	<u>QTY.</u>	<u>DIA.</u> <u>END 1</u>	<u>DIA.</u> <u>END 2</u>	<u>DIA.</u> <u>END 3</u>

FABRICATE IN ACCORDANCE WITH
LANGDON'S DUCT CONSTRUCTION STANDARDS

TRANSVERSE JOINT
SURE CLAMP

LONGITUDINAL/TRANSVERSE SEAMS
ANSI/AWS D9.1-90 MIG WELDED (GMAW)



LENGTH 1
END 3 + 8"

LENGTH 2 (4" MINIMUM)
END 1 - END 2

STANDARD SIZES 4"Ø THRU 22"Ø

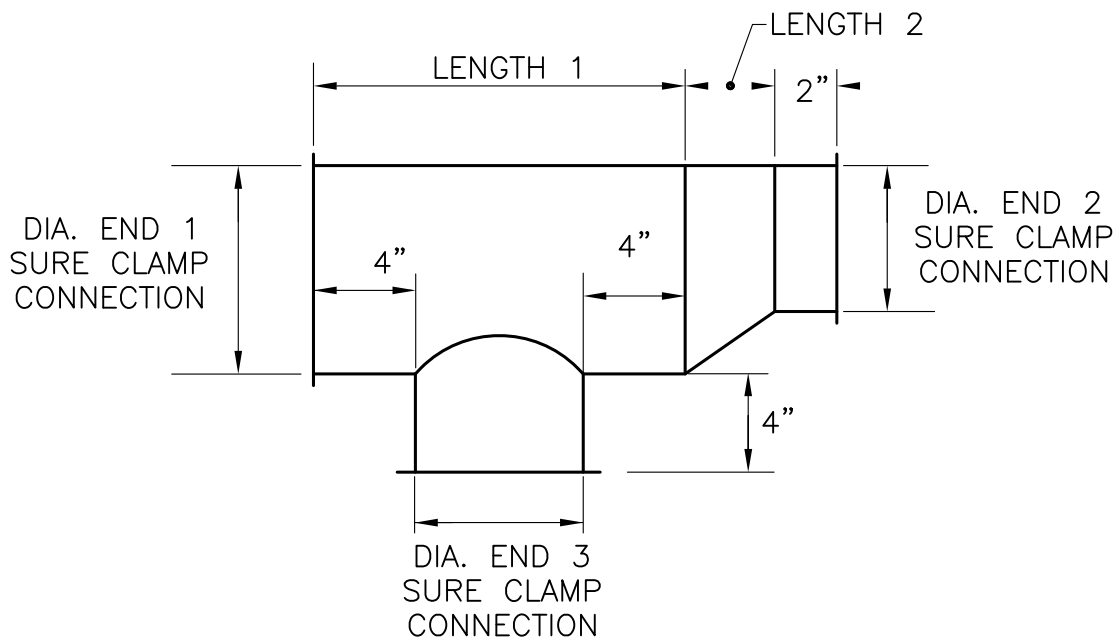
www.langdonsheetmetal.com

SUBMITTAL

SURE • CLAMP 14 GA. GALVANIZED FITTINGS

(PATENTED)

#65F ECCENTRIC REDUCING TEE 90 DEGREE

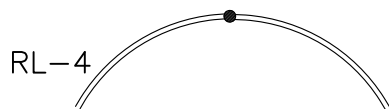


SYSTEM NUMBER/AREA : _____	<u>TAG</u>	<u>QTY.</u>	<u>DIA.</u> <u>END 1</u>	<u>DIA.</u> <u>END 2</u>	<u>DIA.</u> <u>END 3</u>
MATERIAL : 14 GA. GALVANIZED	_____	_____	_____	_____	_____

FABRICATE IN ACCORDANCE WITH
LANGDON'S DUCT CONSTRUCTION STANDARDS

TRANSVERSE JOINT
SURE CLAMP

LONGITUDINAL/TRANSVERSE SEAMS
ANSI/AWS D9.1-90 MIG WELDED (GMAW)



LENGTH 1
END 3 + 8"

LENGTH 2 (4" MINIMUM)
(END 1 - END 2) X 2

STANDARD SIZES 4"Ø THRU 22"Ø

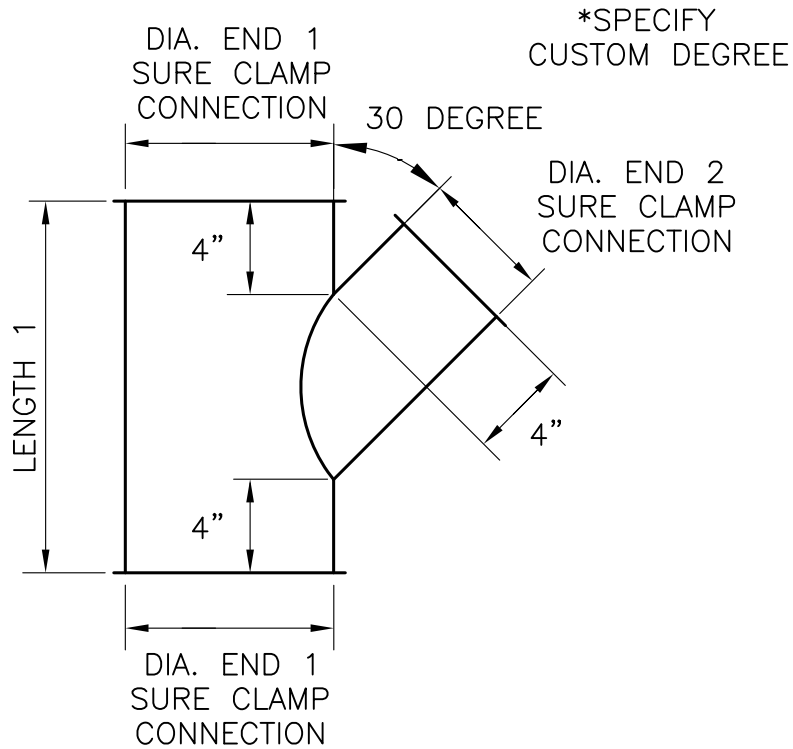
www.langdonsheetmetal.com

SUBMITTAL

SURE • CLAMP 14 GA. GALVANIZED FITTINGS

(PATENTED)

#54 LATERAL



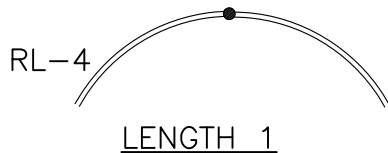
SYSTEM NUMBER/AREA : _____
 MATERIAL : 14 GA. GALVANIZED

TAG QTY. DIA. END 1 DIA. END 2

FABRICATE IN ACCORDANCE WITH
 LANGDON'S DUCT CONSTRUCTION STANDARDS

TRANSVERSE JOINT
 SURE CLAMP

LONGITUDINAL/TRANSVERSE SEAMS
 ANSI/AWS D9.1-90 MIG WELDED (GMAW)



30 DEGREE: DIA. END 2 X (2) + 8
 15 DEGREE: DIA. END 2 X (3.86) + 8
 STANDARD SIZES 4"Ø THRU 22"Ø

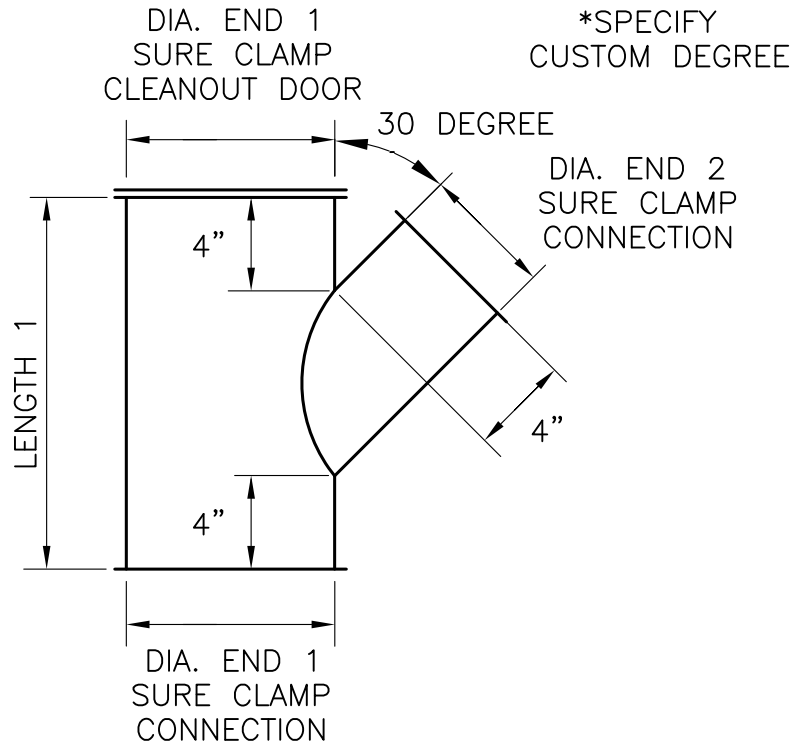
www.langdonsheetmetal.com

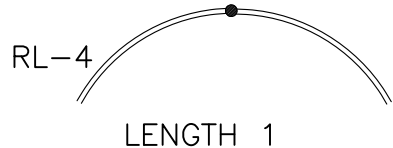
SUBMITTAL

SURE • CLAMP 14 GA. GALVANIZED FITTINGS

(PATENTED)

#54 LATERAL/CLEANOUT DOOR



	<u>TAG</u>	<u>QTY.</u>	<u>DIA.</u> <u>END 1</u>	<u>DIA.</u> <u>END 2</u>
SYSTEM NUMBER/AREA : _____	_____	_____	_____	_____
MATERIAL : 14 GA. GALVANIZED	_____	_____	_____	_____
FABRICATE IN ACCORDANCE WITH	_____	_____	_____	_____
LANGDON'S DUCT CONSTRUCTION STANDARDS	_____	_____	_____	_____
<u>TRANSVERSE JOINT</u>	_____	_____	_____	_____
SURE CLAMP	_____	_____	_____	_____
<u>LONGITUDINAL/TRANSVERSE SEAMS</u>	_____	_____	_____	_____
ANSI/AWS D9.1-90 MIG WELDED (GMAW)	_____	_____	_____	_____
	_____	_____	_____	_____
30 DEGREE: DIA. END 2 X (2) + 8	_____	_____	_____	_____
15 DEGREE: DIA. END 2 X (3.86) + 8	_____	_____	_____	_____
STANDARD SIZES 4"Ø THRU 22"Ø	_____	_____	_____	_____

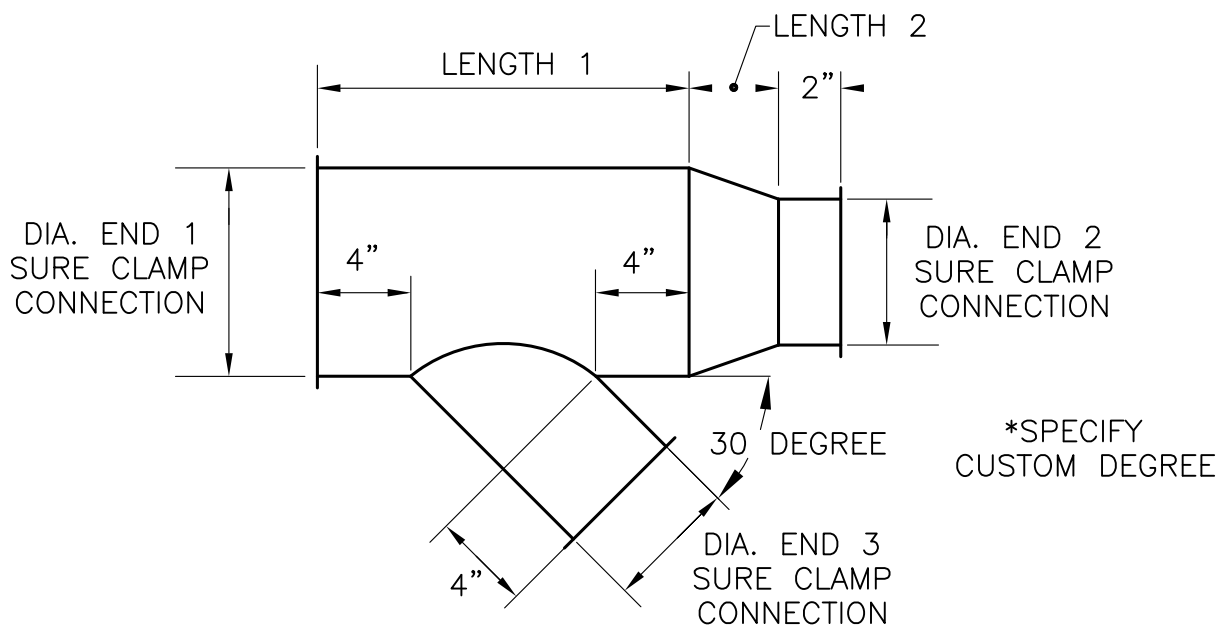
www.langdonsheetmetal.com

SUBMITTAL

SURE • CLAMP 14 GA. GALVANIZED FITTINGS

(PATENTED)

#63 REDUCING LATERAL

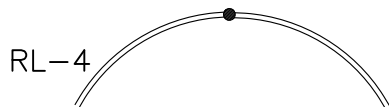


SYSTEM NUMBER/AREA : _____	TAG	QTY.	DIA. END 1	DIA. END 2	DIA. END 3
MATERIAL : 14 GA. GALVANIZED	_____	_____	_____	_____	_____

FABRICATE IN ACCORDANCE WITH
LANGDON'S DUCT CONSTRUCTION STANDARDS

TRANSVERSE JOINT
SURE CLAMP

LONGITUDINAL/TRANSVERSE SEAMS
ANSI/AWS D9.1-90 MIG WELDED (GMAW)



30 DEGREE: DIA. END 3 X (2) + 8
15 DEGREE: DIA. END 3 X (3.86) + 8

LENGTH 2 (4" MINIMUM)
END 1 - END 2

STANDARD SIZES 4"Ø THRU 22"Ø

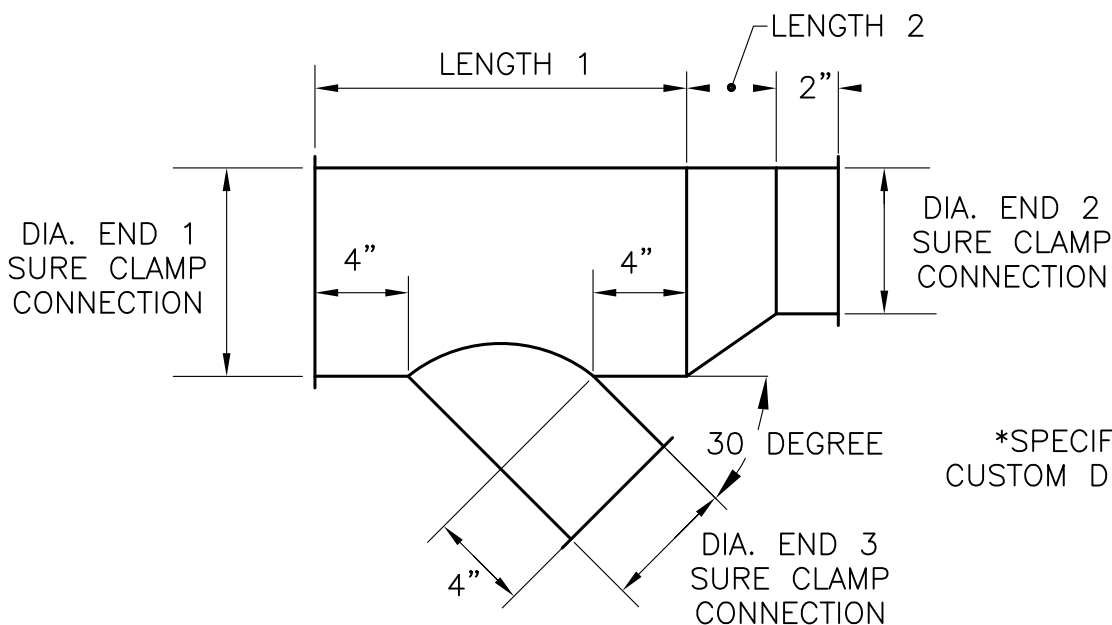
www.langdonsheetmetal.com

SUBMITTAL

SURE • CLAMP 14 GA. GALVANIZED FITTINGS

(PATENTED)

#63F ECCENTRIC REDUCING LATERAL



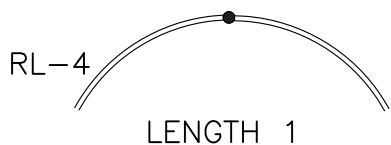
*SPECIFY
CUSTOM DEGREE

SYSTEM NUMBER/AREA : _____	<u>TAG</u>	<u>QTY.</u>	<u>DIA.</u> <u>END 1</u>	<u>DIA.</u> <u>END 2</u>	<u>DIA.</u> <u>END 3</u>
MATERIAL : 14 GA. GALVANIZED	_____	_____	_____	_____	_____

FABRICATE IN ACCORDANCE WITH
LANGDON'S DUCT CONSTRUCTION STANDARDS

TRANSVERSE JOINT
SURE CLAMP

LONGITUDINAL/TRANSVERSE SEAMS
ANSI/AWS D9.1-90 MIG WELDED (GMAW)



30 DEGREE: DIA. END 3 X (2) + 8
15 DEGREE: DIA. END 3 X (3.86) + 8

LENGTH 2 (4" MINIMUM)
(END 1 - END 2) X 2

STANDARD SIZES 4"Ø THRU 22"Ø

www.langdonsheetmetal.com

SUBMITTAL

SURE • CLAMP 14 GA. GALVANIZED FITTINGS

(PATENTED)

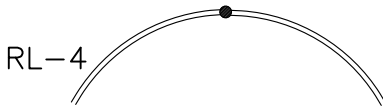
#73 LATERAL CROSS

SYSTEM NUMBER/AREA : _____
 MATERIAL : 14 GA. GALVANIZED

FABRICATE IN ACCORDANCE WITH
 LANGDON'S DUCT CONSTRUCTION STANDARDS

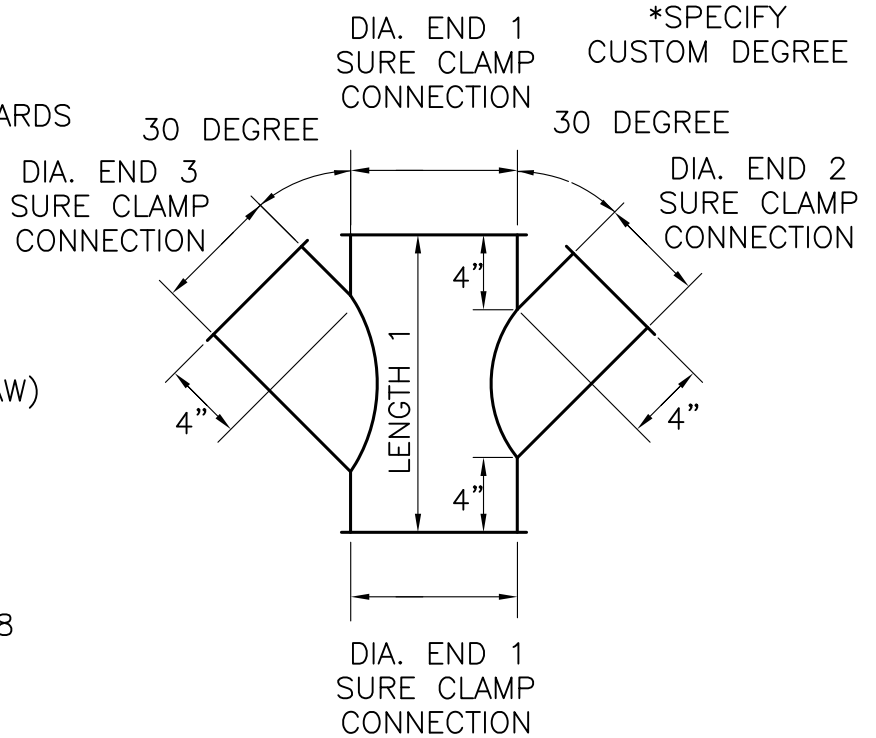
TRANSVERSE JOINT
 SURE CLAMP

LONGITUDINAL/TRANSVERSE SEAMS
 ANSI/AWS D9.1-90 MIG WELDED (GMAW)



LENGTH 1
 30 DEGREE: DIA. END 3 X (2) + 8

STANDARD SIZES 4"Ø THRU 22"Ø



*SPECIFY
 CUSTOM DEGREE

<u>TAG</u>	<u>QTY.</u>	<u>DIA. END 1</u>	<u>DIA END 2</u>	<u>DIA END 3</u>
_____	_____	_____	_____	_____
_____	_____	_____	_____	_____
_____	_____	_____	_____	_____
_____	_____	_____	_____	_____
_____	_____	_____	_____	_____
_____	_____	_____	_____	_____
_____	_____	_____	_____	_____
_____	_____	_____	_____	_____
_____	_____	_____	_____	_____
_____	_____	_____	_____	_____

www.langdonsheetmetal.com

SUBMITTAL

SURE • CLAMP 14 GA. GALVANIZED FITTINGS

(PATENTED)

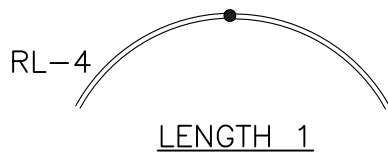
#64 REDUCING LATERAL CROSS

SYSTEM NUMBER/AREA : _____
 MATERIAL : 14 GA. GALVANIZED

FABRICATE IN ACCORDANCE WITH
 LANGDON'S DUCT CONSTRUCTION STANDARDS

TRANSVERSE JOINT
 SURE CLAMP

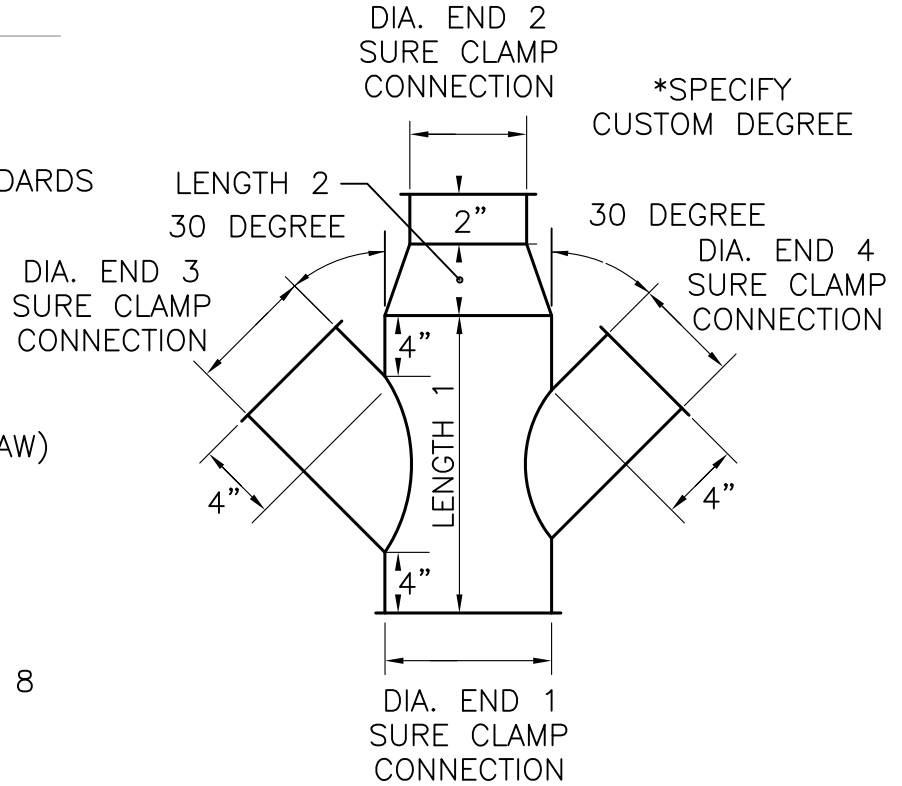
LONGITUDINAL/TRANSVERSE SEAMS
 ANSI/AWS D9.1-90 MIG WELDED (GMAW)



30 DEGREE: DIA. END 3 X (2) + 8

LENGTH 2 (4" MINIMUM)
 END 1 - END 2

STANDARD SIZES 4"Ø THRU 22"Ø



<u>TAG</u>	<u>QTY.</u>	<u>DIA. END 1</u>	<u>DIA END 2</u>	<u>DIA END 3</u>	<u>DIA END 4</u>

www.langdonsheetmetal.com

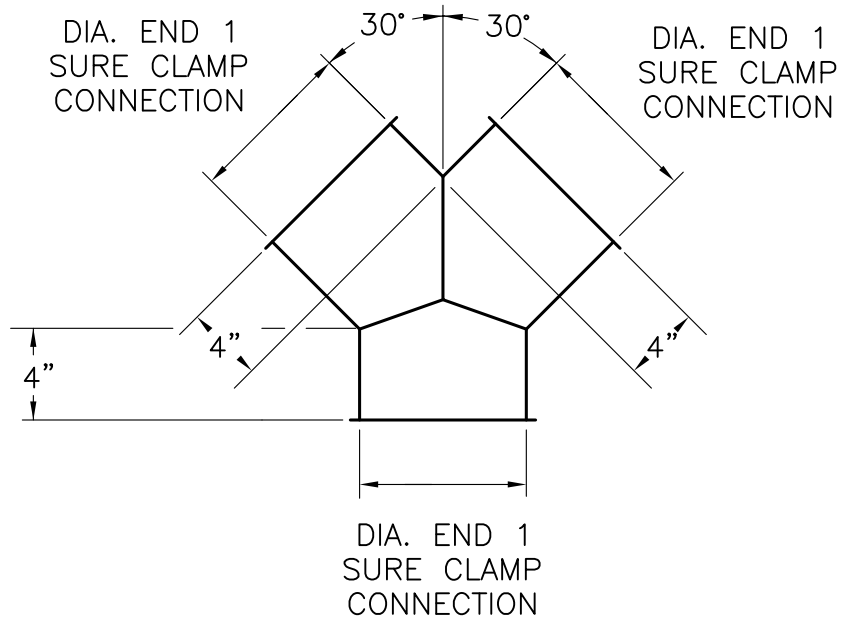
SUBMITTAL

SURE • CLAMP 14 GA. GALVANIZED FITTINGS

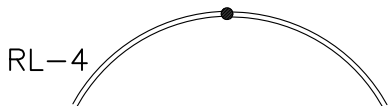
(PATENTED)

#132A 30° Y BRANCH

*SPECIFY CUSTOM DEGREE



SYSTEM NUMBER/AREA : _____ MATERIAL : 14 GA. GALVANIZED FABRICATE IN ACCORDANCE WITH LANGDON'S DUCT CONSTRUCTION STANDARDS <u>TRANSVERSE JOINT</u> SURE CLAMP <u>LONGITUDINAL/TRANSVERSE SEAMS</u> ANSI/AWS D9.1-90 MIG WELDED (GMAW)	<u>TAG</u> _____ _____ _____ _____ _____ _____ _____ _____ _____ _____ _____ _____	<u>QTY.</u> _____ _____ _____ _____ _____ _____ _____ _____ _____ _____ _____ _____ _____	<u>DIA. END 1</u> _____ _____ _____ _____ _____ _____ _____ _____ _____ _____ _____ _____ _____
--	--	--	--



STANDARD SIZES 4"Ø THRU 22"Ø

www.langdonsheetmetal.com

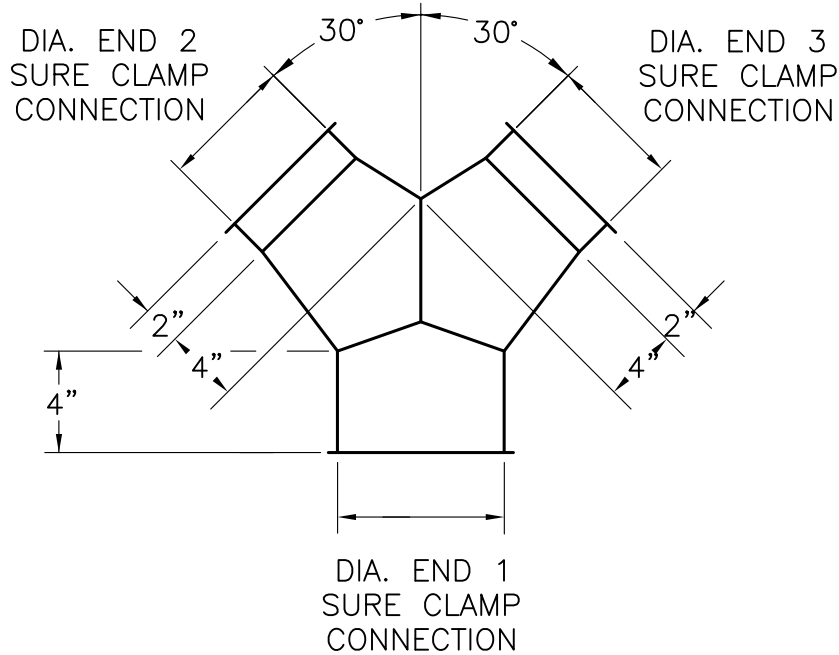
SUBMITTAL

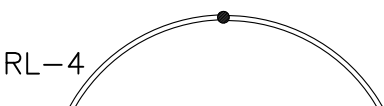
SURE • CLAMP 14 GA. GALVANIZED FITTINGS

(PATENTED)

#132 30° Y BRANCH REDUCING

*SPECIFY CUSTOM DEGREE



	<u>TAG</u>	<u>QTY.</u>	<u>DIA.</u> <u>END 1</u>	<u>DIA.</u> <u>END 2</u>	<u>DIA.</u> <u>END 3</u>
SYSTEM NUMBER/AREA : _____	_____	_____	_____	_____	_____
MATERIAL : 14 GA. GALVANIZED	_____	_____	_____	_____	_____
FABRICATE IN ACCORDANCE WITH LANGDON'S DUCT CONSTRUCTION STANDARDS	_____	_____	_____	_____	_____
<u>TRANSVERSE JOINT</u> SURE CLAMP	_____	_____	_____	_____	_____
<u>LONGITUDINAL/TRANSVERSE SEAMS</u> ANSI/AWS D9.1-90 MIG WELDED (GMAW)	_____	_____	_____	_____	_____
RL-4 	_____	_____	_____	_____	_____
STANDARD SIZES 4"Ø THRU 22"Ø	_____	_____	_____	_____	_____

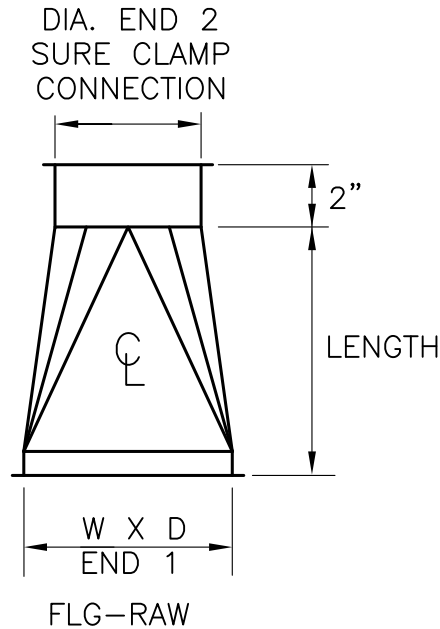
www.langdonsheetmetal.com

SUBMITTAL

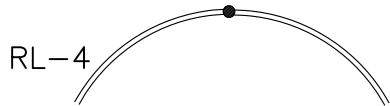
SURE • CLAMP 14 GA. GALVANIZED FITTINGS

(PATENTED)

#50 CENTER LINE SQUARE TO ROUND



	<u>TAG</u>	<u>QTY.</u>	<u>W X D</u> <u>END 1</u> <u>CENTERLINE</u>	<u>CONN.</u> <u>TYPE</u> <u>END 1</u>	<u>DIA.</u> <u>END 2</u> <u>CENTERLINE</u>
SYSTEM NUMBER/AREA : _____					
MATERIAL : 14 GA. GALVANIZED			X		
FABRICATE IN ACCORDANCE WITH			X		
LANGDON'S DUCT CONSTRUCTION STANDARDS			X		
<u>END 1 TRANSVERSE JOINT</u>			X		
<u>FLG-RAW</u>			X		
<u>END 2 TRANSVERSE JOINT</u>			X		
<u>SURE CLAMP</u>			X		
<u>LONGITUDINAL/TRANSVERSE SEAMS</u>			X		
<u>ANSI/AWS D9.1-90 MIG WELDED (GMAW)</u>			X		
<u>RL-4</u>			X		
<u>LENGTH (6" MINIMUM)</u>			X		
<u>END 1 (W OR D LARGEST ONE)</u>			X		
<u>- END 2</u>					
STANDARD SIZES 4"Ø THRU 22"Ø					



LENGTH (6" MINIMUM)

END 1 (W OR D LARGEST ONE)

- END 2

STANDARD SIZES 4"Ø THRU 22"Ø

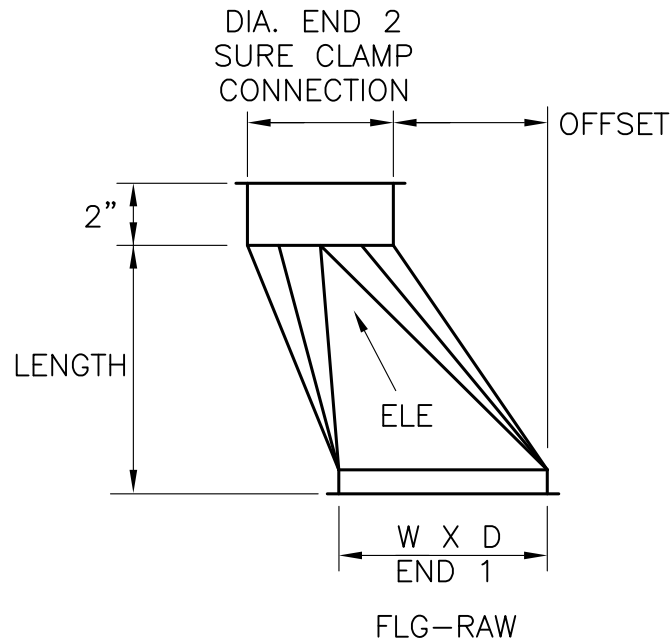
www.langdonsheetmetal.com

SUBMITTAL

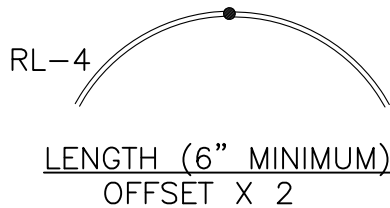
SURE • CLAMP 14 GA. GALVANIZED FITTINGS

(PATENTED)

#74 OFFSET SQUARE TO ROUND



SYSTEM NUMBER/AREA : _____	TAG	QTY.	<u>W X D</u> END 1	<u>CONN.</u> TYPE END 1	<u>DIA</u> END 2	<u>OFF.</u>	<u>ELE.</u> TU/TD
MATERIAL : 14 GA. GALVANIZED			X				
FABRICATE IN ACCORDANCE WITH LANGDON'S DUCT CONSTRUCTION STANDARDS			X				
<u>END 1 TRANSVERSE JOINT</u> FLG-RAW			X				
<u>END 2 TRANSVERSE JOINT</u> SURE CLAMP			X				
<u>LONGITUDINAL/TRANSVERSE SEAMS</u> ANSI/AWS D9.1-90 MIG WELDED (GMAW)			X				
			X				
			X				
			X				



STANDARD SIZES 4"Ø THRU 22"Ø

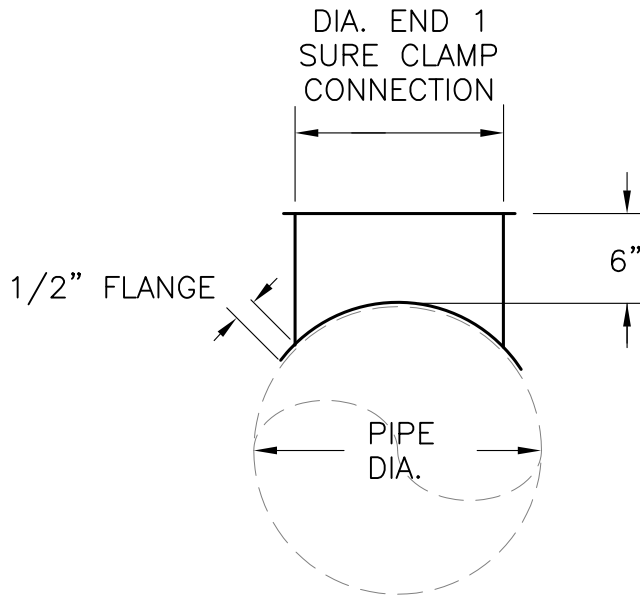
www.langdonsheetmetal.com

SUBMITTAL

SURE • CLAMP 14 GA. GALVANIZED FITTINGS

(PATENTED)

#67-90 FIELD MOUNTED STRAIGHT TAP ON ROUND



SYSTEM NUMBER/AREA : _____

TAG

QTY.

DIA. END 1

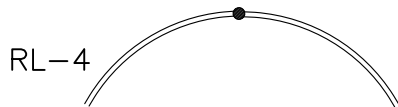
PIPE DIA.

MATERIAL : 14 GA. GALVANIZED

FABRICATE IN ACCORDANCE WITH
LANGDON'S DUCT CONSTRUCTION STANDARDS

TRANSVERSE JOINT
SURE CLAMP

LONGITUDINAL/TRANSVERSE SEAMS
ANSI/AWS D9.1-90 MIG WELDED (GMAW)



STANDARD SIZES 4"Ø THRU 22"Ø

www.langdonsheetmetal.com

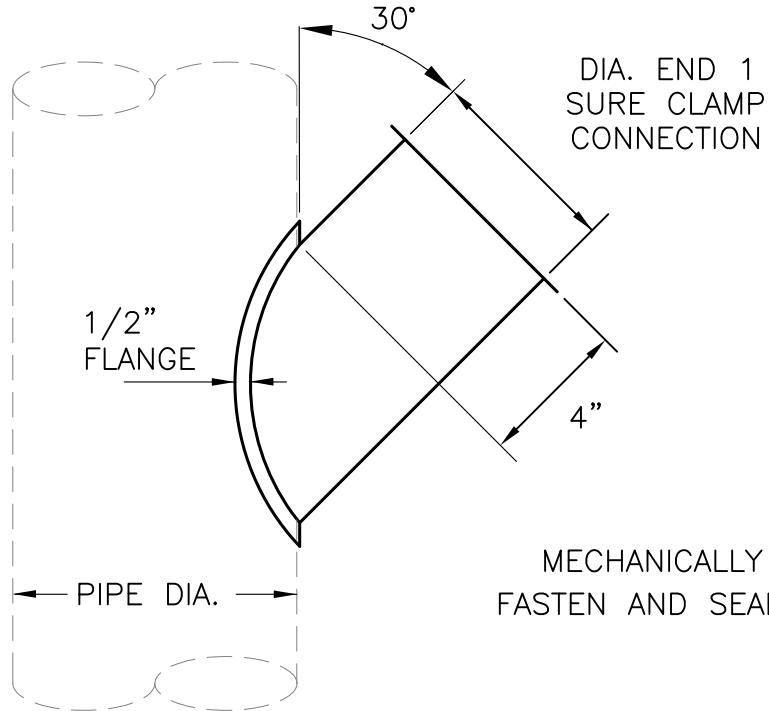
SUBMITTAL

SURE • CLAMP 14 GA. GALVANIZED FITTINGS

(PATENTED)

#67 FIELD MOUNTED LATERAL TAP

*SPECIFY
CUSTOM DEGREE



SYSTEM NUMBER/AREA : _____

MATERIAL : 14 GA. GALVANIZED

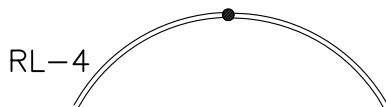
FABRICATE IN ACCORDANCE WITH
LANGDON'S DUCT CONSTRUCTION STANDARDS

TRANSVERSE JOINT

SURE CLAMP

LONGITUDINAL/TRANSVERSE SEAMS

ANSI/AWS D9.1-90 MIG WELDED (GMAW)



STANDARD SIZES 4"Ø THRU 22"Ø

TAG	QTY.	DIA. END 1	PIPE DIA.
_____	_____	_____	_____
_____	_____	_____	_____
_____	_____	_____	_____
_____	_____	_____	_____
_____	_____	_____	_____
_____	_____	_____	_____
_____	_____	_____	_____
_____	_____	_____	_____
_____	_____	_____	_____
_____	_____	_____	_____

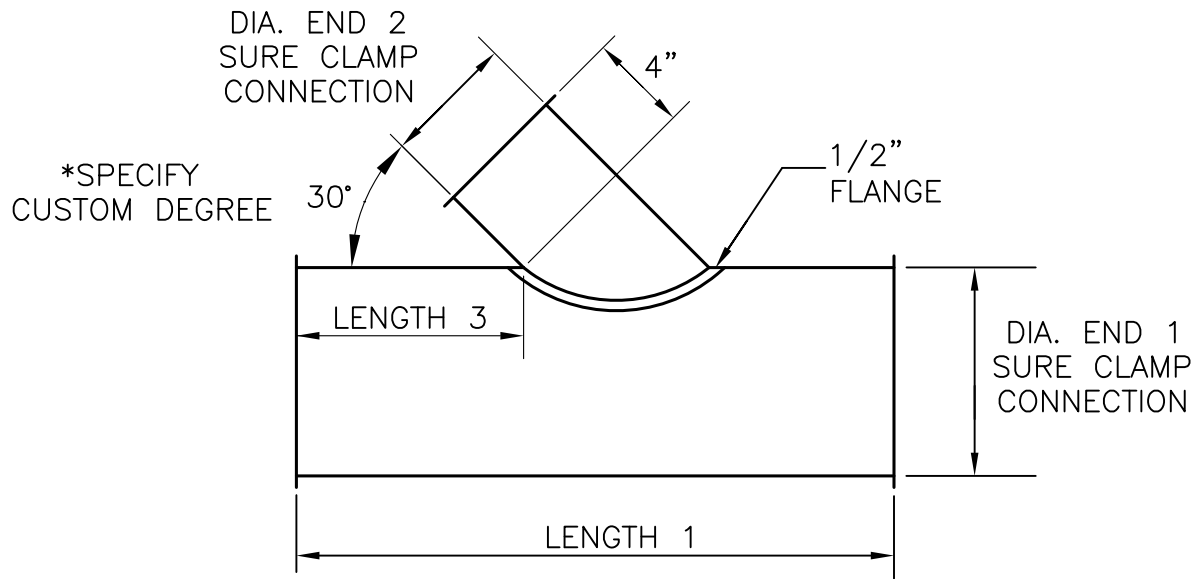
www.langdonsheetmetal.com

SUBMITTAL

SURE • CLAMP 14 GA. GALVANIZED FITTINGS

(PATENTED)

#54S LATERAL SHOP MOUNTED

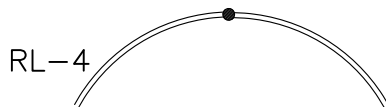


SYSTEM NUMBER/AREA : _____	<u>TAG</u>	<u>QTY.</u>	<u>DIA. END 1</u>	<u>DIA. END 2</u>	<u>LENGTH 1</u>	<u>LENGTH 3</u>
MATERIAL : 14 GA. GALVANIZED	_____	_____	_____	_____	_____	_____

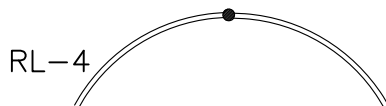
FABRICATE IN ACCORDANCE WITH
LANGDON'S DUCT CONSTRUCTION STANDARDS

TRANSVERSE JOINT
SURE CLAMP

LONGITUDINAL/TRANSVERSE SEAMS
ANSI/AWS D9.1-90 MIG WELDED (GMAW)



BODY LONGITUDINAL SEAM
ANSI/AWS D9.1-90 MIG WELDED (GMAW)



STANDARD SIZES 4"Ø THRU 22"Ø

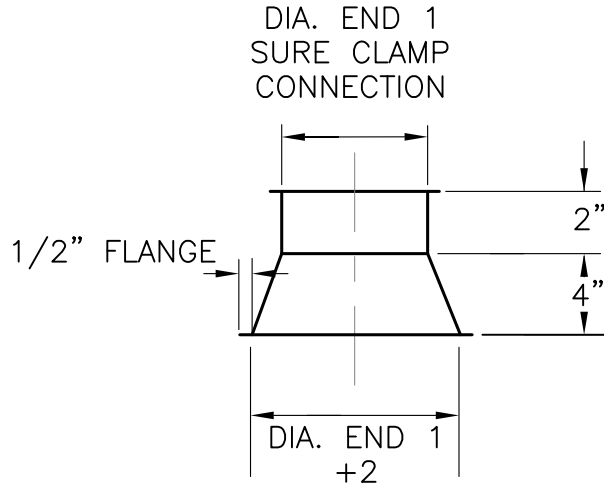
www.langdonsheetmetal.com

SUBMITTAL

SURE • CLAMP 14 GA. GALVANIZED FITTINGS

(PATENTED)

#57T CONICAL TAP ON RECTANGULAR DUCTWORK

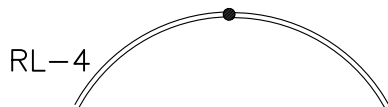


SYSTEM NUMBER/AREA : _____
MATERIAL : 14 GA. GALVANIZED

FABRICATE IN ACCORDANCE WITH
LANGDON'S DUCT CONSTRUCTION STANDARDS

TRANSVERSE JOINT
SURE CLAMP

LONGITUDINAL/TRANSVERSE SEAMS
ANSI/AWS D9.1-90 MIG WELDED (GMAW)



STANDARD SIZES 4"φ THRU 22"φ

<u>TAG</u>	<u>QTY.</u>	<u>DIA. END 1</u>
_____	_____	_____
_____	_____	_____
_____	_____	_____
_____	_____	_____
_____	_____	_____
_____	_____	_____
_____	_____	_____
_____	_____	_____
_____	_____	_____
_____	_____	_____
_____	_____	_____
_____	_____	_____
_____	_____	_____
_____	_____	_____
_____	_____	_____
_____	_____	_____

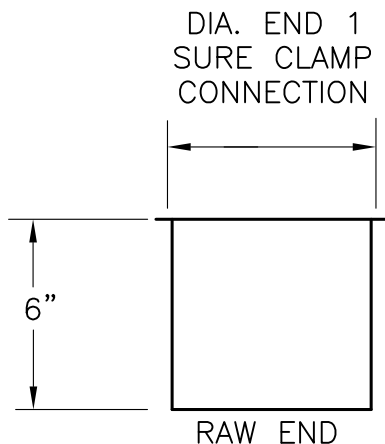
www.langdonsheetmetal.com

SUBMITTAL

SURE • CLAMP 14 GA. GALVANIZED FITTINGS

(PATENTED)

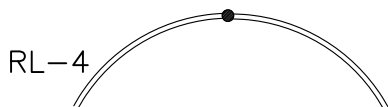
#100C EQUIPMENT COLLAR-(HOODS, AIR VALVES, ECT.)



SYSTEM NUMBER/AREA : _____
 MATERIAL : 14 GA. GALVANIZED
 FABRICATE IN ACCORDANCE WITH
 LANGDON'S DUCT CONSTRUCTION STANDARDS

TRANSVERSE JOINT
 SURE CLAMP

LONGITUDINAL/TRANSVERSE SEAMS
 ANSI/AWS D9.1-90 MIG WELDED (GMAW)



STANDARD SIZES 4"Ø THRU 22"Ø

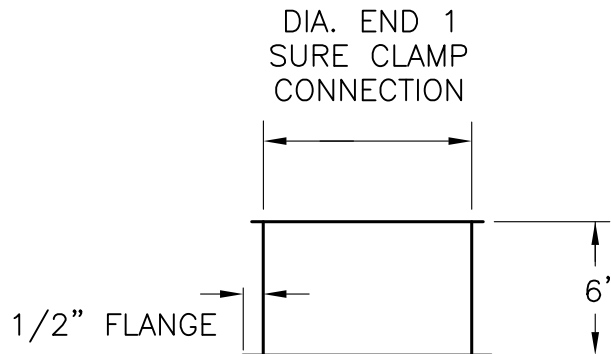
<u>TAG</u>	<u>QTY.</u>	<u>DIA. END 1</u>
_____	_____	_____
_____	_____	_____
_____	_____	_____
_____	_____	_____
_____	_____	_____
_____	_____	_____
_____	_____	_____
_____	_____	_____
_____	_____	_____
_____	_____	_____

SUBMITTAL

SURE • CLAMP 14 GA. GALVANIZED FITTINGS

(PATENTED)

#100T FIELD MOUNTED STRAIGHT TAP ON RECTANGULAR



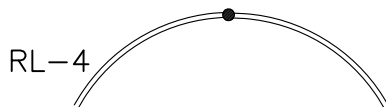
SYSTEM NUMBER/AREA : _____
 MATERIAL : 14 GA. GALVANIZED

TAG QTY. DIA. END 1

FABRICATE IN ACCORDANCE WITH
 LANGDON'S DUCT CONSTRUCTION STANDARDS

TRANSVERSE JOINT
 SURE CLAMP

LONGITUDINAL/TRANSVERSE SEAMS
 ANSI/AWS D9.1-90 MIG WELDED (GMAW)



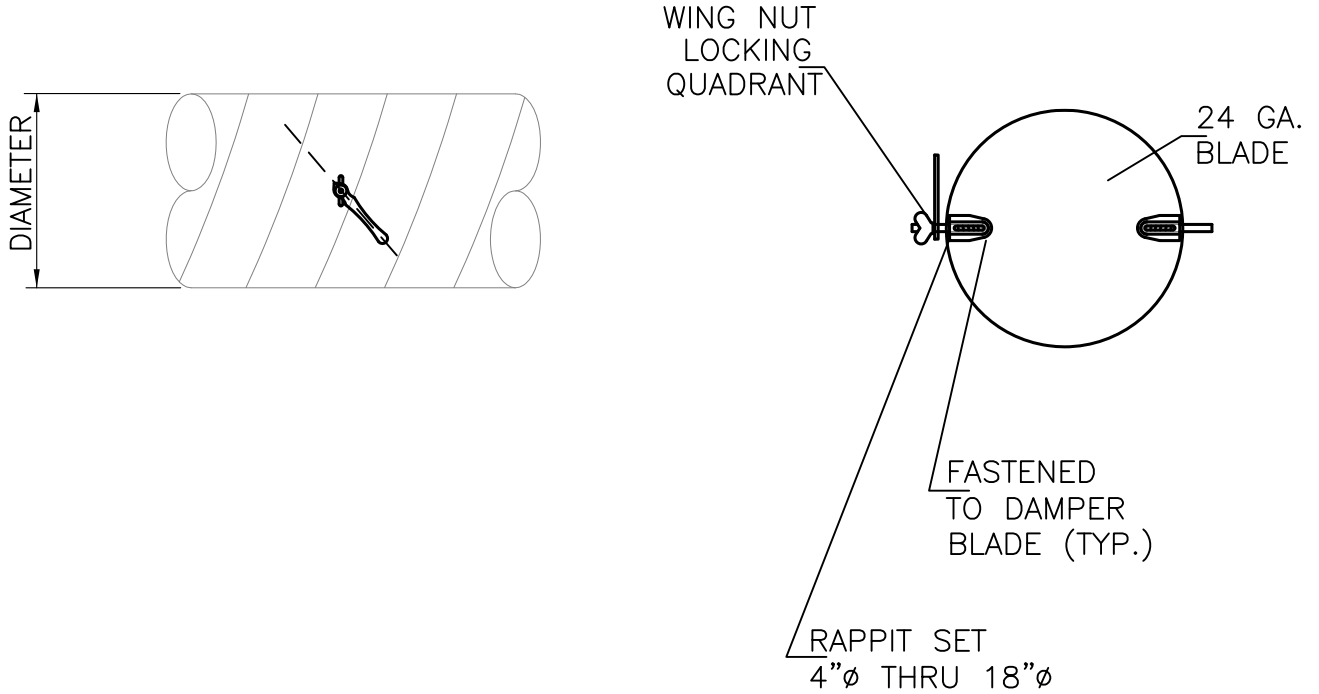
STANDARD SIZES 4"Ø THRU 22"Ø

_____	_____	_____
_____	_____	_____
_____	_____	_____
_____	_____	_____
_____	_____	_____
_____	_____	_____
_____	_____	_____
_____	_____	_____
_____	_____	_____
_____	_____	_____

www.langdonsheetmetal.com

SUBMITTAL SPIRAL FITTINGS

MANUAL VOLUME DAMPER 4"Ø TO 18"Ø



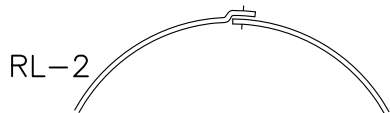
SYSTEM NUMBER/AREA : _____
 MATERIAL/STATIC WG : _____

TAG QTY. DIAMETER

FABRICATE IN ACCORDANCE WITH
 SMACNA DUCT CONSTRUCTION STANDARDS

TRANSVERSE JOINT
 SMALL END SLIP CONNECTION

LONGITUDINAL SEAMS
 LAP, SPOTWELD AND SEAL



STANDARD SIZES 4"Ø THRU 18"Ø

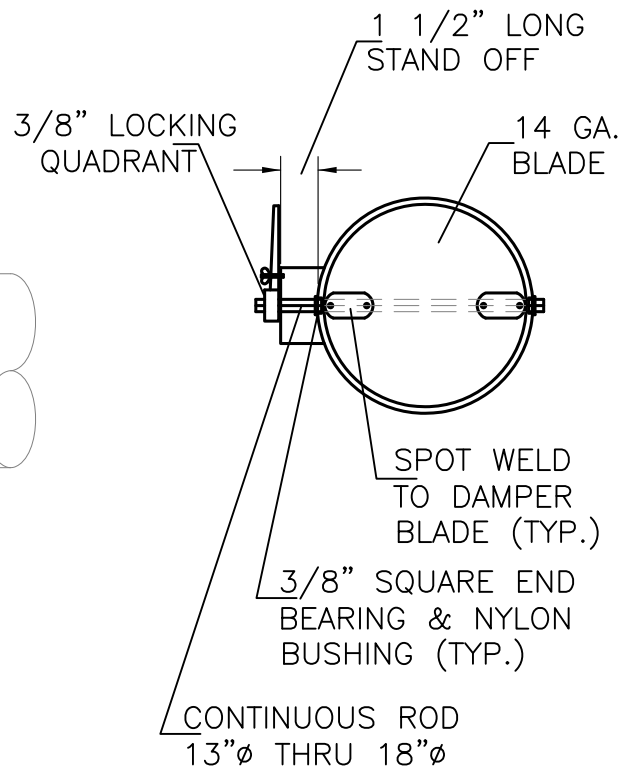
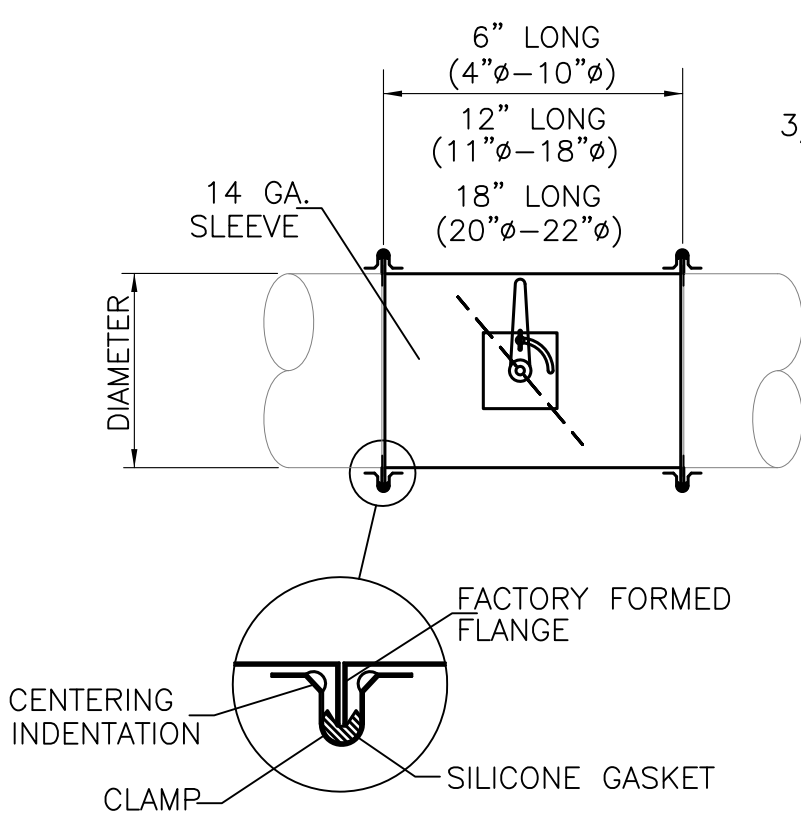
<u>TAG</u>	<u>QTY.</u>	<u>DIAMETER</u>
_____	_____	_____
_____	_____	_____
_____	_____	_____
_____	_____	_____
_____	_____	_____
_____	_____	_____
_____	_____	_____
_____	_____	_____
_____	_____	_____
_____	_____	_____
_____	_____	_____

SUBMITTAL

SURE • CLAMP 14 GA. GALVANIZED FITTINGS

(PATENTED)

#100VD MANUAL VOLUME DAMPER 4"Ø TO 18"Ø

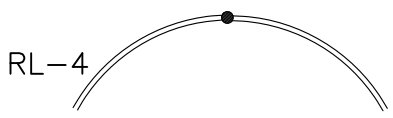


SYSTEM NUMBER/AREA : _____
 MATERIAL : 14 GA. GALVANIZED

FABRICATE IN ACCORDANCE WITH
 LANGDON'S DUCT CONSTRUCTION STANDARDS

TRANSVERSE JOINT
 SURE CLAMP

LONGITUDINAL/TRANSVERSE SEAMS
 ANSI/AWS D9.1-90 MIG WELDED (GMAW)



STANDARD SIZES 4"Ø THRU 22"Ø

TAG	QTY.	DIAMETER
_____	_____	_____
_____	_____	_____
_____	_____	_____
_____	_____	_____
_____	_____	_____
_____	_____	_____
_____	_____	_____
_____	_____	_____
_____	_____	_____
_____	_____	_____

www.langdonsheetmetal.com