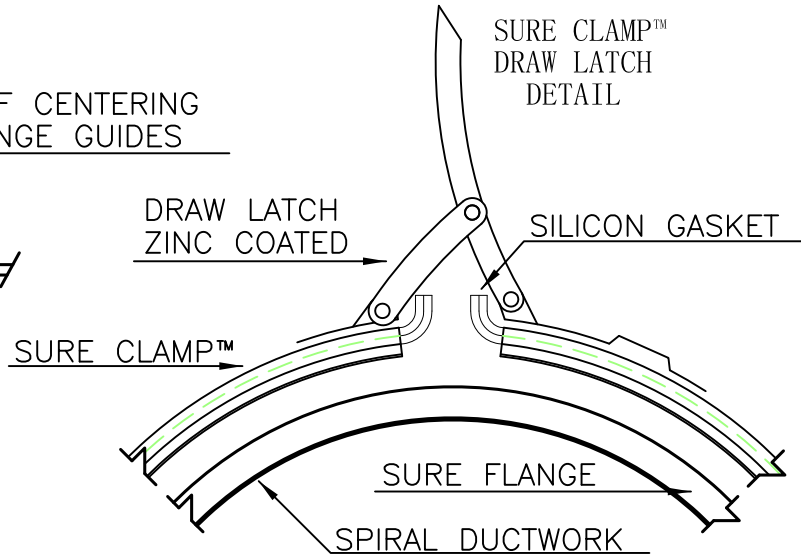
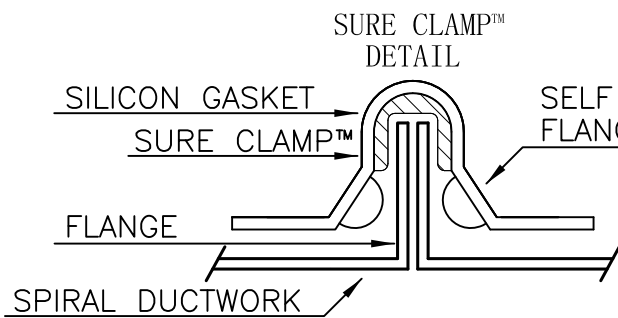
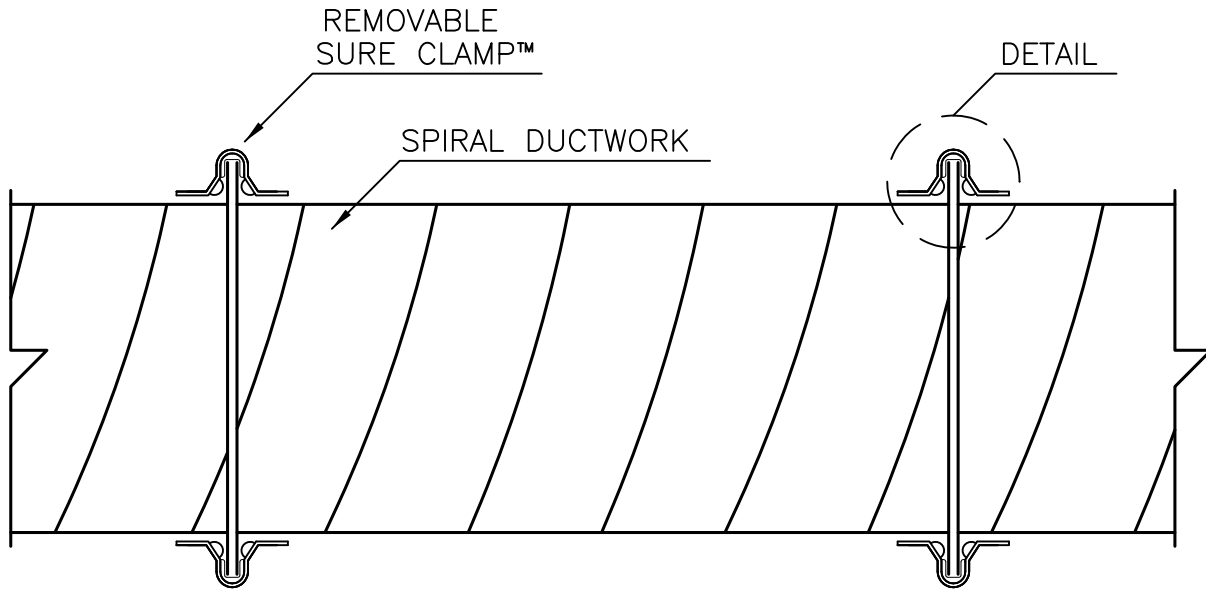


SUBMITTAL

SURE • CLAMP™

(PATENTED)



CONTINUOUS WELDED

CONTINUOUS WELDED SURE CLAMP
DUCTWORK IS AVAILABLE ON REQUEST
18-16-14 GAUGE

**GALVANIZED SPIRAL & FITTING GAUGE CHART
UNREINFORCED**

NEGATIVE PRESSURE TO 20" W.G.		
DIAMETER	FITTING	SPIRAL
4"-12"	22 GAUGE	22 GAUGE
13"-22"	20 GAUGE	20 GAUGE

**STAINLESS STEEL SPIRAL & FITTING GAUGE CHART
REINFORCE PER SMACNA STANDARDS**

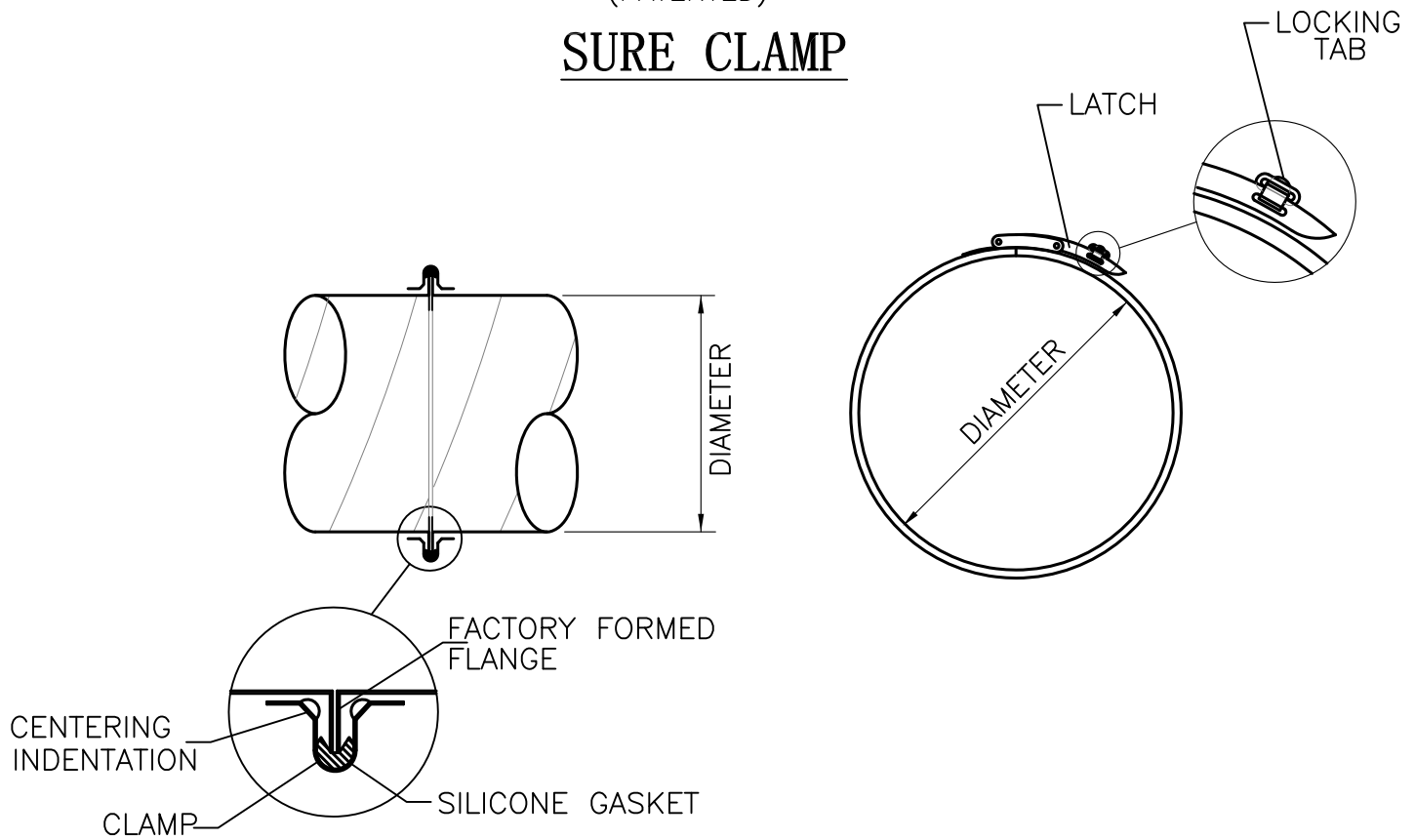
NEGATIVE PRESSURE TO 10" W.G.		
DIAMETER	FITTING	SPIRAL
4"-12"	24 GAUGE	24 GAUGE
13"-22"	22 GAUGE	22 GAUGE

www.langdonsheetmetal.com

Cincinnati, Ohio. 45215
The above mentioned product, is protected by patents and trade marks
All Rights Reserved updated 2/15/13

SUBMITTAL SURE • CLAMP (PATENTED)

SURE CLAMP



SYSTEM NUMBER/AREA : _____
 MATERIAL TYPE : _____

QTY. DIAMETER

_____	_____
_____	_____
_____	_____
_____	_____
_____	_____
_____	_____
_____	_____
_____	_____
_____	_____
_____	_____

FABRICATE IN ACCORDANCE WITH
 LANGDONS CONSTRUCTION STANDARDS

ZINC COATED LATCHES ARE PROVIDED
 FOR GALVANIZED AND STAINLESS
 STEEL CLAMPS.

INSTALL LOCKING TABS TO SECURE
 SURE CLAMP HANDLE



STANDARD SIZES 4"Ø THRU 22"Ø

www.langdonsheetmetal.com

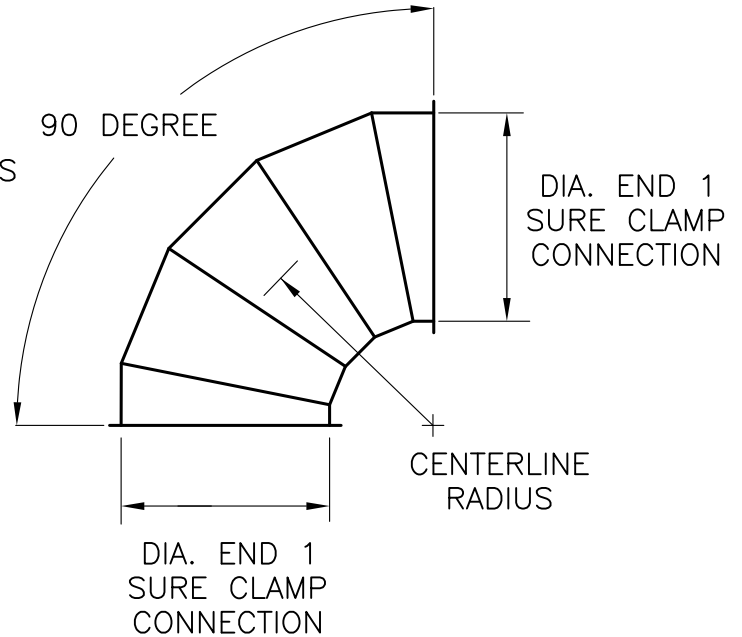
SUBMITTAL

SURE • CLAMP SPIRAL FITTINGS

(PATENTED)

#52 ELBOWS

*SPECIFY
CUSTOM DEGREE
&
CENTERLINE RADIUS

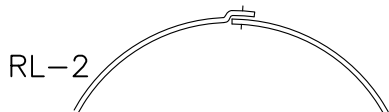


SYSTEM NUMBER/AREA : _____
MATERIAL/STATIC WG : _____

FABRICATE IN ACCORDANCE WITH
SMACNA DUCT CONSTRUCTION STANDARDS

TRANSVERSE JOINT
SURE CLAMP

LONGITUDINAL SEAMS
LAP, SPOTWELD AND SEAL



GORE LOCK
14" DIA. AND LARGER



CENTERLINE RADIUS
1-1/2 X DIAMETER

GORE AMOUNT

- 0-22 DEG. = 2 GORE
- 23-45 DEG. = 3 GORE
- 46-60 DEG. = 4 GORE
- 61-90 DEG. = 5 GORE

<u>TAG</u>	<u>QTY.</u>	<u>DEGREE</u>	<u>DIA END 1</u>
_____	_____	_____	_____
_____	_____	_____	_____
_____	_____	_____	_____
_____	_____	_____	_____
_____	_____	_____	_____
_____	_____	_____	_____
_____	_____	_____	_____
_____	_____	_____	_____
_____	_____	_____	_____
_____	_____	_____	_____

STANDARD SIZES 4"Ø THRU 22"Ø

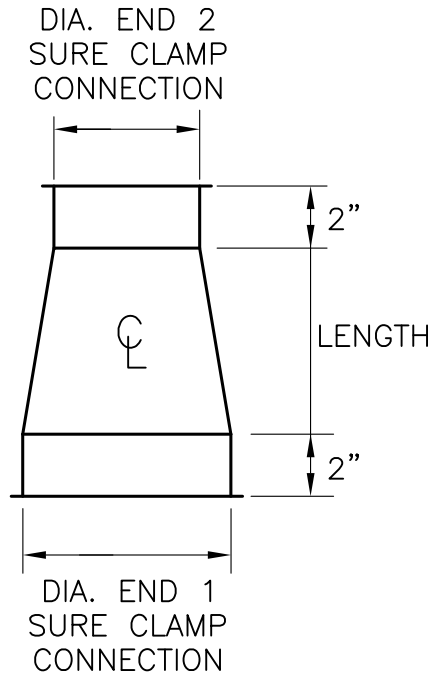
www.langdonsheetmetal.com

SUBMITTAL

SURE • CLAMP SPIRAL FITTINGS

(PATENTED)

#57 CONCENTRIC REDUCER



SYSTEM NUMBER/AREA : _____
 MATERIAL/STATIC WG : _____

TAG

QTY.

DIA. END 1

DIA END 2

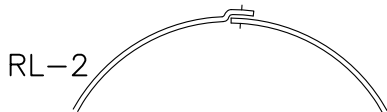
FABRICATE IN ACCORDANCE WITH
 SMACNA DUCT CONSTRUCTION STANDARDS

TRANSVERSE JOINT

SURE CLAMP

LONGITUDINAL SEAMS

LAP, SPOTWELD AND SEAL



LENGTH (4" MINIMUM)
 END 1 - END 2

STANDARD SIZES 4"Ø THRU 22"Ø

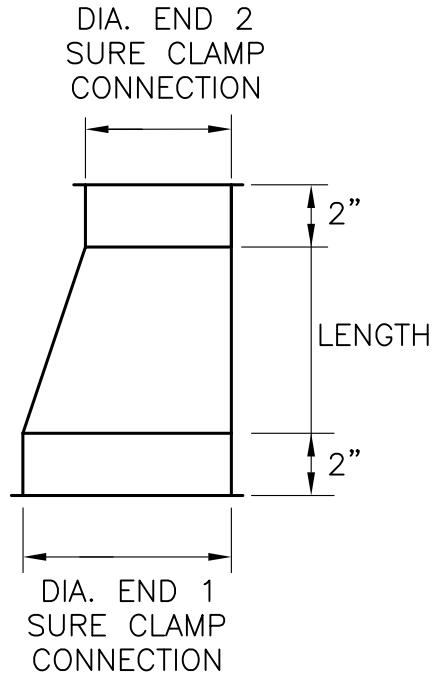
www.langdonsheetmetal.com

SUBMITTAL

SURE • CLAMP SPIRAL FITTINGS

(PATENTED)

#69 ECENTRIC REDUCER



SYSTEM NUMBER/AREA : _____
 MATERIAL/STATIC WG : _____

TAG

QTY.

DIA. END 1

DIA END 2

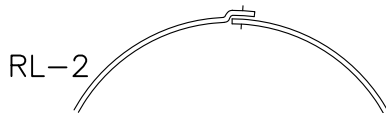
FABRICATE IN ACCORDANCE WITH
 SMACNA DUCT CONSTRUCTION STANDARDS

TRANSVERSE JOINT

SURE CLAMP

LONGITUDINAL SEAMS

LAP, SPOTWELD AND SEAL



LENGTH (4" MINIMUM)

(END 1 - END 2) x 2

STANDARD SIZES 4"Ø THRU 22"Ø

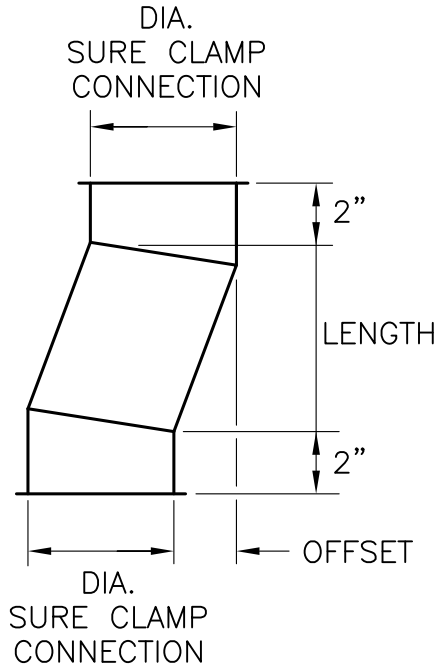
www.langdonsheetmetal.com

SUBMITTAL

SURE • CLAMP SPIRAL FITTINGS

(PATENTED)

#53 OFFSET



	<u>TAG</u>	<u>QTY.</u>	<u>DIA.</u>	<u>OFFSET</u>
SYSTEM NUMBER/AREA : _____				
MATERIAL/STATIC WG : _____				
FABRICATE IN ACCORDANCE WITH SMACNA DUCT CONSTRUCTION STANDARDS				
<u>TRANSVERSE JOINT</u> SURE CLAMP				
<u>LONGITUDINAL SEAMS</u> LAP, SPOTWELD AND SEAL				
RL-2				
<u>LENGTH (6" MINIMUM)</u> OFFSET X 2				

STANDARD SIZES 4"Ø THRU 22"Ø

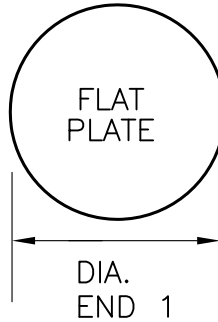
www.langdonsheetmetal.com

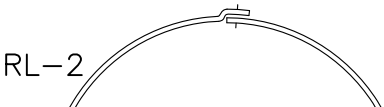
SUBMITTAL

SURE • CLAMP SPIRAL FITTINGS

(PATENTED)

#02 END CAP



	<u>TAG</u>	<u>QTY.</u>	<u>DIA. END 1</u>
SYSTEM NUMBER/AREA : _____	_____	_____	_____
MATERIAL/STATIC WG : _____	_____	_____	_____
FABRICATE IN ACCORDANCE WITH SMACNA DUCT CONSTRUCTION STANDARDS			
<u>TRANSVERSE JOINT</u>	_____	_____	_____
SURE CLAMP	_____	_____	_____
<u>LONGITUDINAL SEAMS</u>	_____	_____	_____
LAP, SPOTWELD AND SEAL	_____	_____	_____
RL-2 	_____	_____	_____
STANDARD SIZES 4"Ø THRU 22"Ø	_____	_____	_____

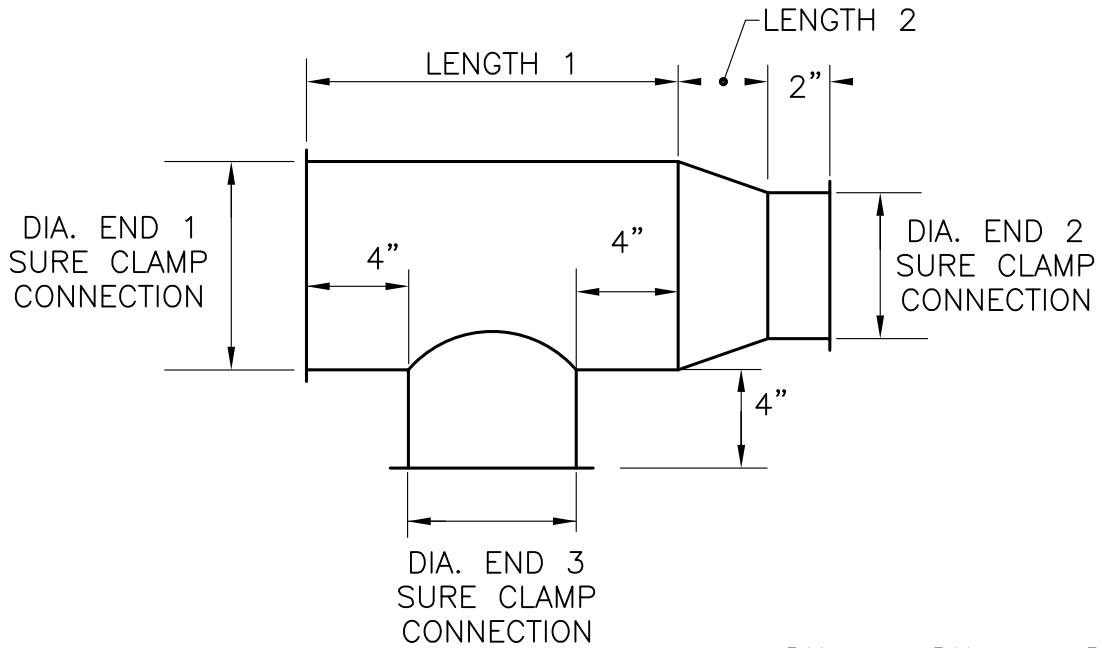
www.langdonsheetmetal.com

SUBMITTAL

SURE • CLAMP SPIRAL FITTINGS

(PATENTED)

#65 CONCENTRIC REDUCING TEE 90 DEGREE

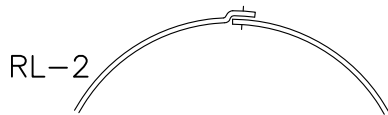


SYSTEM NUMBER/AREA :	TAG	QTY.	DIA. END 1	DIA. END 2	DIA. END 3
MATERIAL/STATIC WG :					

FABRICATE IN ACCORDANCE WITH
SMACNA DUCT CONSTRUCTION STANDARDS

TRANSVERSE JOINT
SURE CLAMP

LONGITUDINAL SEAMS
LAP, SPOTWELD AND SEAL



LENGTH 1
END 3 + 8"

LENGTH 2 (4" MINIMUM)
END 1 - END 2

STANDARD SIZES 4"Ø THRU 22"Ø

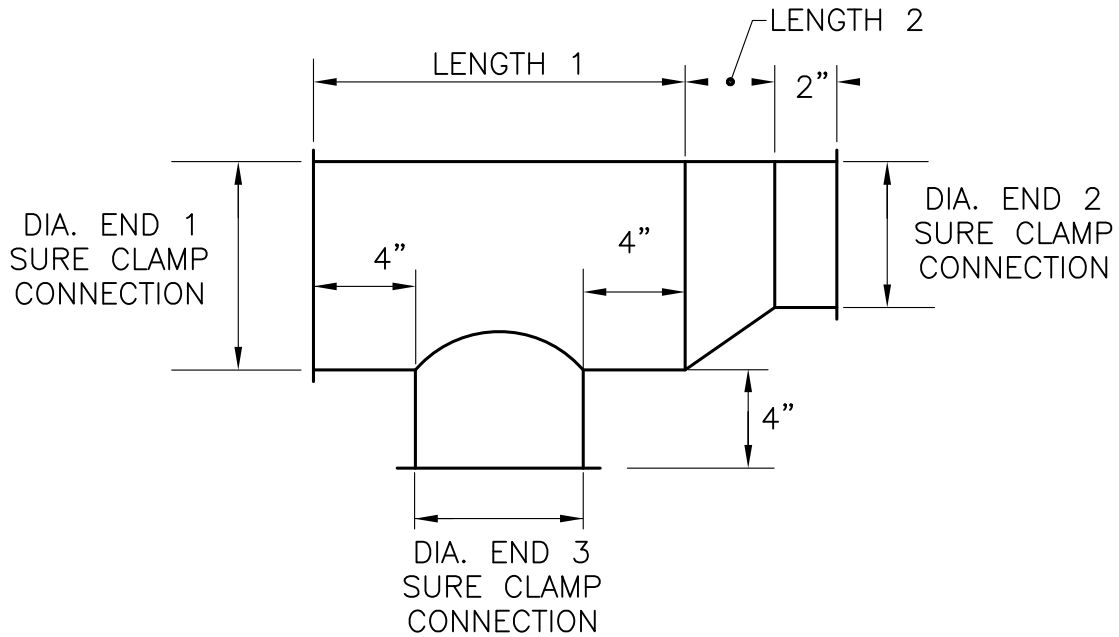
www.langdonsheetmetal.com

SUBMITTAL

SURE • CLAMP SPIRAL FITTINGS

(PATENTED)

#65F ECCENTRIC REDUCING TEE 90 DEGREE

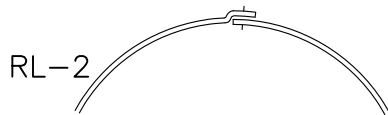


SYSTEM NUMBER/AREA : _____	TAG	QTY.	DIA. END 1	DIA. END 2	DIA. END 3
MATERIAL/STATIC WG : _____	_____	_____	_____	_____	_____

FABRICATE IN ACCORDANCE WITH
SMACNA DUCT CONSTRUCTION STANDARDS

TRANSVERSE JOINT
SURE CLAMP

LONGITUDINAL SEAMS
LAP, SPOTWELD AND SEAL



LENGTH 1
END 3 + 8"

LENGTH 2 (4" MINIMUM)
(END 1 - END 2) X 2

STANDARD SIZES 4"Ø THRU 22"Ø

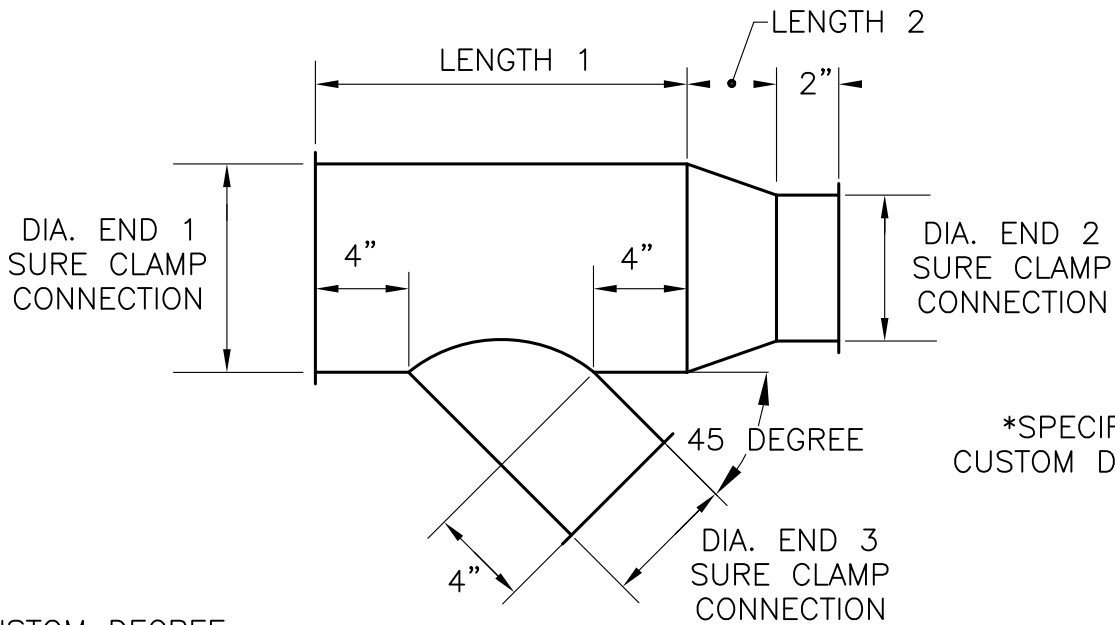
www.langdonsheetmetal.com

SUBMITTAL

SURE • CLAMP SPIRAL FITTINGS

(PATENTED)

#63 REDUCING LATERAL



*SPECIFY CUSTOM DEGREE

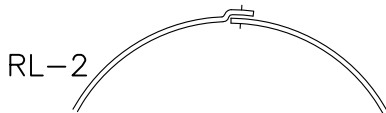
*SPECIFY CUSTOM DEGREE

SYSTEM NUMBER/AREA :	TAG	QTY.	DIA. END 1	DIA. END 2	DIA. END 3
MATERIAL/STATIC WG :					

FABRICATE IN ACCORDANCE WITH
SMACNA DUCT CONSTRUCTION STANDARDS

TRANSVERSE JOINT
SURE CLAMP

LONGITUDINAL SEAMS
LAP, SPOTWELD AND SEAL



LENGTH 1

45 DEGREE: DIA. END 3 X (1.41) + 8
30 DEGREE: DIA. END 3 X (2) + 8

LENGTH 2 (4" MINIMUM)
END 1 - END 2

STANDARD SIZES 4"Ø THRU 22"Ø

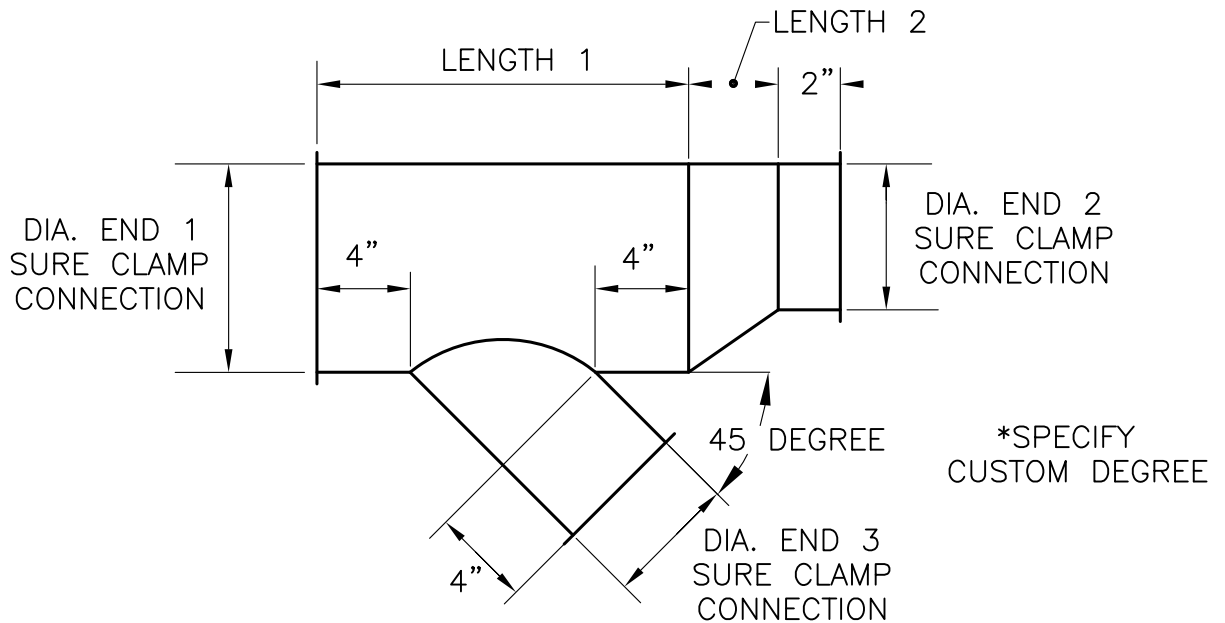
www.langdonsheetmetal.com

SUBMITTAL

SURE • CLAMP SPIRAL FITTINGS

(PATENTED)

#63F ECCENTRIC REDUCING LATERAL

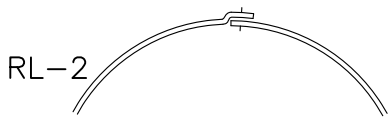


SYSTEM NUMBER/AREA : _____	<u>TAG</u>	<u>QTY.</u>	<u>DIA.</u> <u>END 1</u>	<u>DIA.</u> <u>END 2</u>	<u>DIA.</u> <u>END 3</u>
MATERIAL/STATIC WG : _____	_____	_____	_____	_____	_____

FABRICATE IN ACCORDANCE WITH
SMACNA DUCT CONSTRUCTION STANDARDS

TRANSVERSE JOINT
SURE CLAMP

LONGITUDINAL SEAMS
LAP, SPOTWELD AND SEAL



LENGTH 1

45 DEGREE: DIA. END 3 X (1.41) + 8
30 DEGREE: DIA. END 3 X (2) + 8

LENGTH 2 (4" MINIMUM)
(END 1 - END 2) X 2

STANDARD SIZES 4"Ø THRU 22"Ø

www.langdonsheetmetal.com

SUBMITTAL

SURE • CLAMP SPIRAL FITTINGS

(PATENTED)

#73 LATERAL CROSS

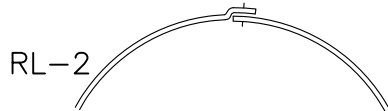
SYSTEM NUMBER/AREA : _____

MATERIAL/STATIC WG : _____

FABRICATE IN ACCORDANCE WITH
SMACNA DUCT CONSTRUCTION STANDARDS

TRANSVERSE JOINT
SURE CLAMP

LONGITUDINAL SEAMS
LAP, SPOTWELD AND SEAL

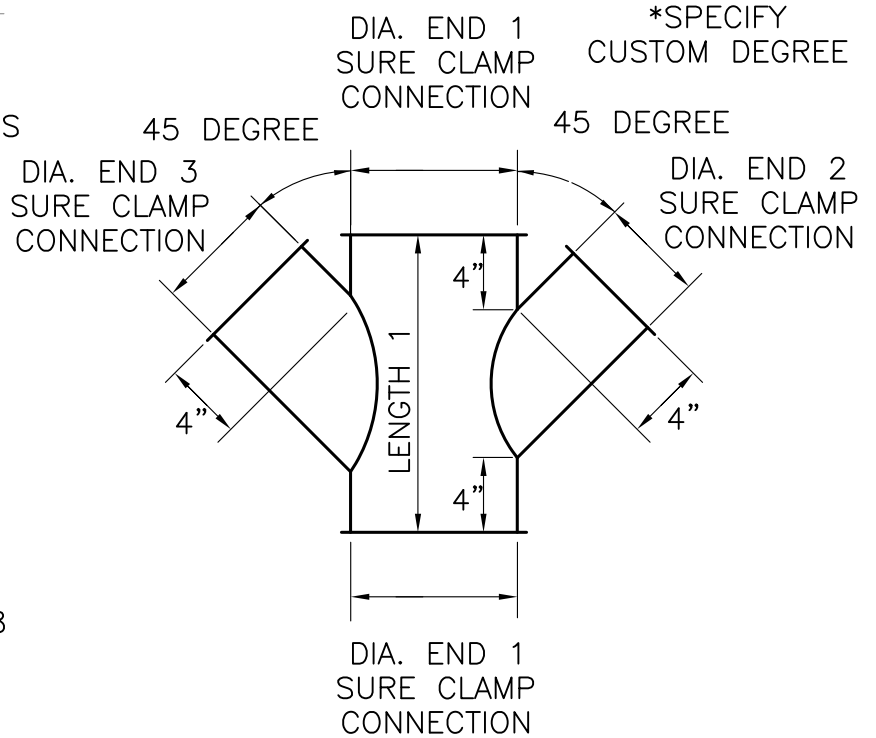


LENGTH 1

45 DEGREE: DIA. END 3 X (1.41) + 8

30 DEGREE: DIA. END 3 X (2) + 8

STANDARD SIZES 4"Ø THRU 22"Ø



<u>TAG</u>	<u>QTY.</u>	<u>DIA. END 1</u>	<u>DIA. END 2</u>	<u>DIA. END 3</u>

www.langdonsheetmetal.com

SUBMITTAL

SURE • CLAMP SPIRAL FITTINGS

(PATENTED)

#64 REDUCING LATERAL CROSS

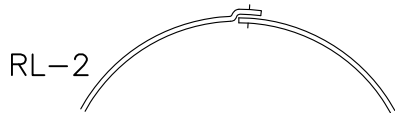
SYSTEM NUMBER/AREA : _____

MATERIAL/STATIC WG : _____

FABRICATE IN ACCORDANCE WITH
SMACNA DUCT CONSTRUCTION STANDARDS

TRANSVERSE JOINT
SURE CLAMP

LONGITUDINAL SEAMS
LAP, SPOTWELD AND SEAL



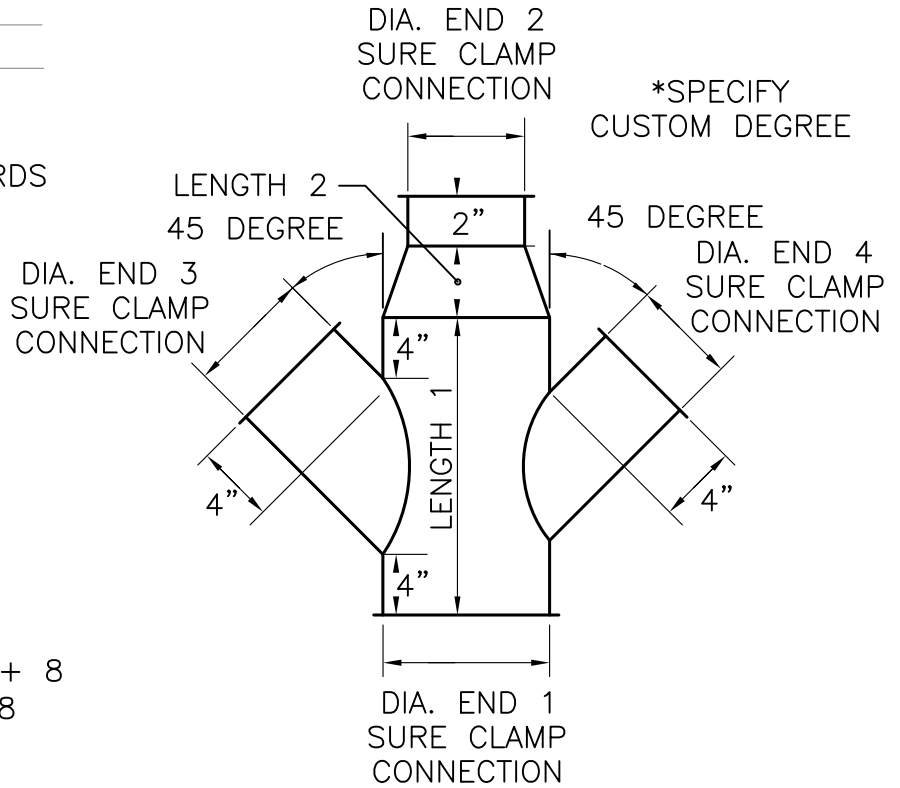
LENGTH 1

45 DEGREE: DIA. END 3 X (1.41) + 8

30 DEGREE: DIA. END 3 X (2) + 8

LENGTH 2 (4" MINIMUM)
END 1 - END 2

STANDARD SIZES 4"Ø THRU 22"Ø



*SPECIFY
CUSTOM DEGREE

<u>TAG</u>	<u>QTY.</u>	<u>DIA. END 1</u>	<u>DIA END 2</u>	<u>DIA END 3</u>	<u>DIA END 4</u>
_____	_____	_____	_____	_____	_____
_____	_____	_____	_____	_____	_____
_____	_____	_____	_____	_____	_____
_____	_____	_____	_____	_____	_____
_____	_____	_____	_____	_____	_____
_____	_____	_____	_____	_____	_____
_____	_____	_____	_____	_____	_____
_____	_____	_____	_____	_____	_____
_____	_____	_____	_____	_____	_____
_____	_____	_____	_____	_____	_____

www.langdonsheetmetal.com

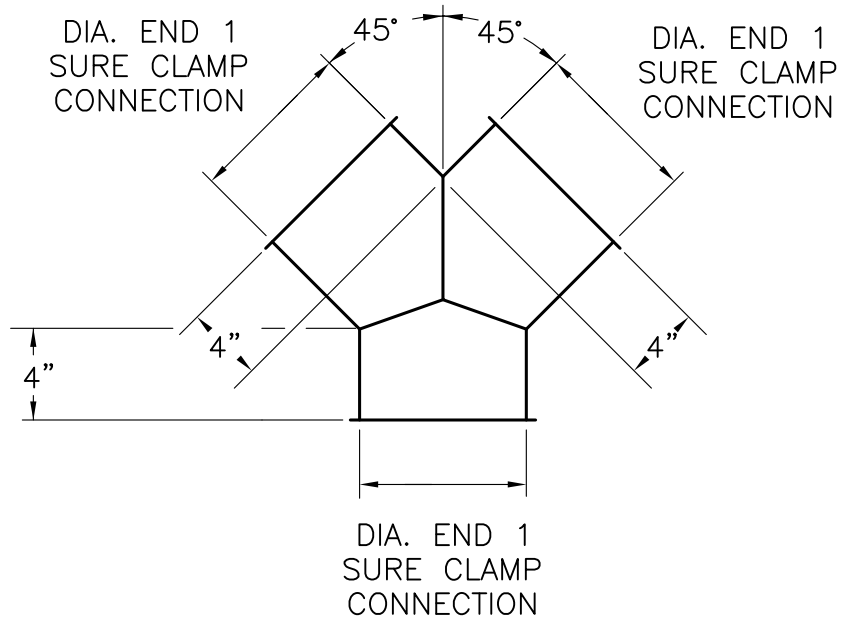
SUBMITTAL

SURE • CLAMP SPIRAL FITTINGS

(PATENTED)

#132A 45° Y BRANCH

*SPECIFY CUSTOM DEGREE



SYSTEM NUMBER/AREA : _____
MATERIAL/STATIC WG : _____

TAG QTY. DIA. END 1

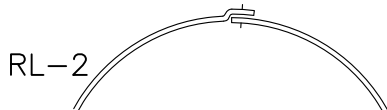
FABRICATE IN ACCORDANCE WITH
SMACNA DUCT CONSTRUCTION STANDARDS

TRANSVERSE JOINT

SURE CLAMP

LONGITUDINAL SEAMS

LAP, SPOTWELD AND SEAL



STANDARD SIZES 4"Ø THRU 22"Ø

<u>TAG</u>	<u>QTY.</u>	<u>DIA. END 1</u>
_____	_____	_____
_____	_____	_____
_____	_____	_____
_____	_____	_____
_____	_____	_____
_____	_____	_____
_____	_____	_____
_____	_____	_____
_____	_____	_____
_____	_____	_____

www.langdonsheetmetal.com

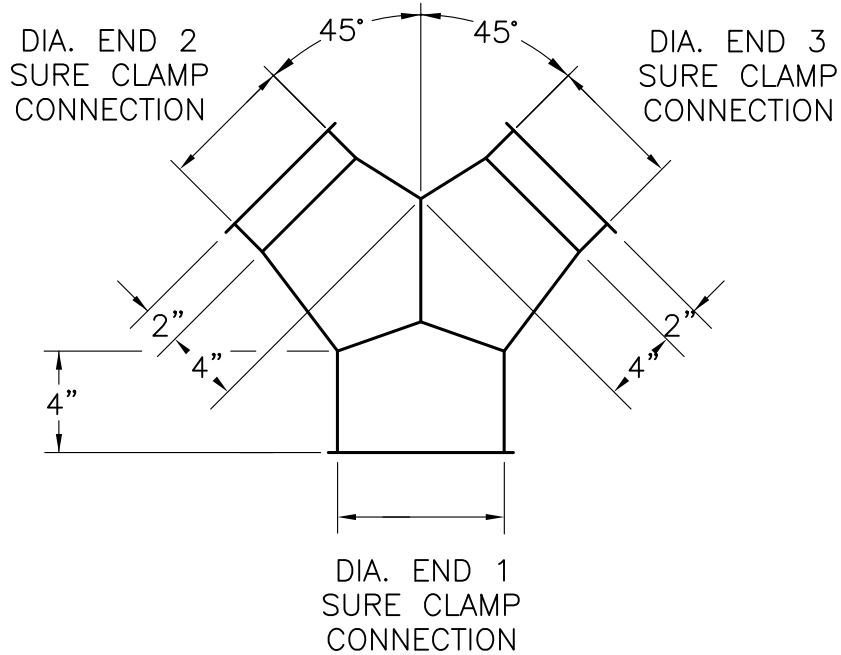
SUBMITTAL

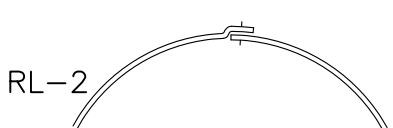
SURE • CLAMP SPIRAL FITTINGS

(PATENTED)

#132 45° Y BRANCH REDUCING

*SPECIFY CUSTOM DEGREE



	<u>TAG</u>	<u>QTY.</u>	<u>DIA.</u> <u>END 1</u>	<u>DIA.</u> <u>END 2</u>	<u>DIA.</u> <u>END 3</u>
SYSTEM NUMBER/AREA : _____	_____	_____	_____	_____	_____
MATERIAL/STATIC WG : _____	_____	_____	_____	_____	_____
FABRICATE IN ACCORDANCE WITH SMACNA DUCT CONSTRUCTION STANDARDS	_____	_____	_____	_____	_____
<u>TRANSVERSE JOINT</u> SURE CLAMP	_____	_____	_____	_____	_____
<u>LONGITUDINAL SEAMS</u> LAP, SPOTWELD AND SEAL	_____	_____	_____	_____	_____
	_____	_____	_____	_____	_____
STANDARD SIZES 4"Ø THRU 22"Ø	_____	_____	_____	_____	_____

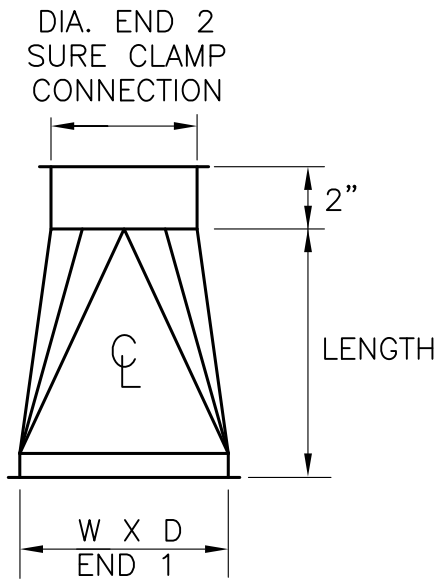
www.langdonsheetmetal.com

SUBMITTAL

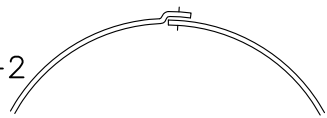
SURE • CLAMP SPIRAL FITTINGS

(PATENTED)

#50 CENTER LINE SQUARE TO ROUND



S & D-TDC-FLG-RAW

	<u>TAG</u>	<u>QTY.</u>	<u>W X D END 1 CENTERLINE</u>	<u>CONN. TYPE END 1</u>	<u>DIA. END 2 CENTERLINE</u>
SYSTEM NUMBER/AREA : _____	_____	_____	X	_____	_____
MATERIAL/STATIC WG : _____	_____	_____	X	_____	_____
FABRICATE IN ACCORDANCE WITH SMACNA DUCT CONSTRUCTION STANDARDS	_____	_____	X	_____	_____
<u>END 1 TRANSVERSE JOINT</u> S & D-TDC-FLG-RAW	_____	_____	X	_____	_____
<u>END 2 TRANSVERSE JOINT</u> SURE CLAMP	_____	_____	X	_____	_____
<u>LONGITUDINAL SEAMS</u> LAP, SPOTWELD AND SEAL	_____	_____	X	_____	_____
RL-2 	_____	_____	X	_____	_____
<u>LENGTH (6" MINIMUM)</u>	_____	_____	X	_____	_____
END 1 (W OR D LARGEST ONE) - END 2	_____	_____	X	_____	_____

STANDARD SIZES 4"Ø THRU 22"Ø

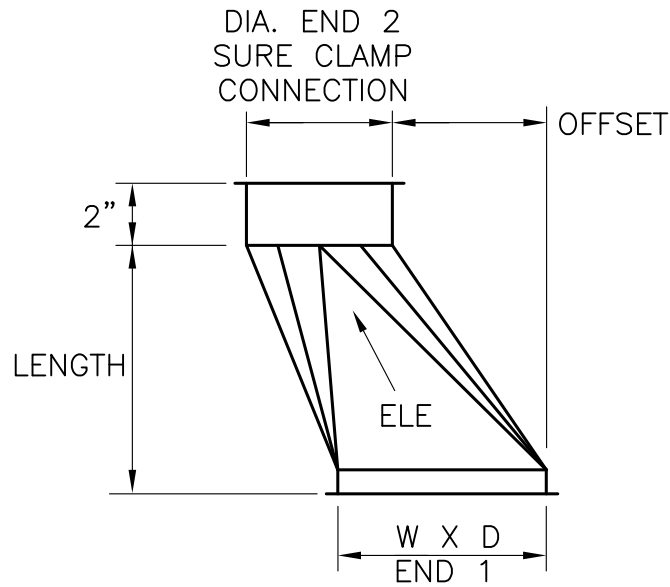
www.langdonsheetmetal.com

SUBMITTAL

SURE • CLAMP SPIRAL FITTINGS

(PATENTED)

#74 OFFSET SQUARE TO ROUND



S & D-TDC-FLG-RAW

	<u>TAG</u>	<u>QTY.</u>	<u>W X D</u> <u>END 1</u>	<u>CONN.</u> <u>TYPE</u> <u>END 1</u>	<u>DIA</u> <u>END 2</u>	<u>OFFSET</u>	<u>ELE.</u> <u>TU/TD</u>
SYSTEM NUMBER/AREA : _____	_____	_____	_____	_____	_____	_____	_____
MATERIAL/STATIC WG : _____	_____	_____	X	_____	_____	_____	_____
FABRICATE IN ACCORDANCE WITH	_____	_____	X	_____	_____	_____	_____
SMACNA DUCT CONSTRUCTION STANDARDS	_____	_____	X	_____	_____	_____	_____
<u>END 1 TRANSVERSE JOINT</u>	_____	_____	X	_____	_____	_____	_____
S & D-TDC-FLG-RAW	_____	_____	X	_____	_____	_____	_____
<u>END 2 TRANSVERSE JOINT</u>	_____	_____	X	_____	_____	_____	_____
SURE CLAMP	_____	_____	X	_____	_____	_____	_____
<u>LONGITUDINAL SEAMS</u>	_____	_____	X	_____	_____	_____	_____
LAP, SPOTWELD AND SEAL	_____	_____	X	_____	_____	_____	_____
RL-2	_____	_____	X	_____	_____	_____	_____
<u>LENGTH (6" MINIMUM)</u>	_____	_____	X	_____	_____	_____	_____
OFFSET X 2	_____	_____	X	_____	_____	_____	_____

STANDARD SIZES 4"φ THRU 22"φ

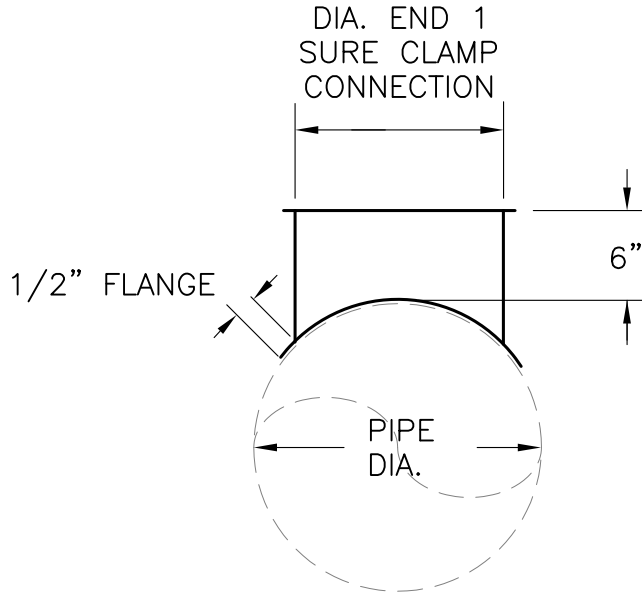
www.langdonsheetmetal.com

SUBMITTAL

SURE • CLAMP SPIRAL FITTINGS

(PATENTED)

#67-90 FIELD MOUNTED STRAIGHT TAP ON ROUND

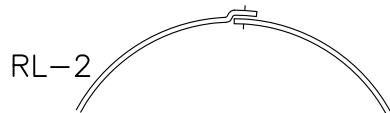


SYSTEM NUMBER/AREA : _____	<u>TAG</u>	<u>QTY.</u>	<u>DIA. END 1</u>	<u>PIPE DIA.</u>
MATERIAL/STATIC WG : _____	_____	_____	_____	_____

FABRICATE IN ACCORDANCE WITH
SMACNA DUCT CONSTRUCTION STANDARDS

TRANSVERSE JOINT
SURE CLAMP

LONGITUDINAL SEAMS
LAP, SPOTWELD AND SEAL



STANDARD SIZES 4"Ø THRU 22"Ø

	_____	_____	_____	_____
	_____	_____	_____	_____
	_____	_____	_____	_____
	_____	_____	_____	_____
	_____	_____	_____	_____
	_____	_____	_____	_____
	_____	_____	_____	_____
	_____	_____	_____	_____
	_____	_____	_____	_____

www.langdonsheetmetal.com

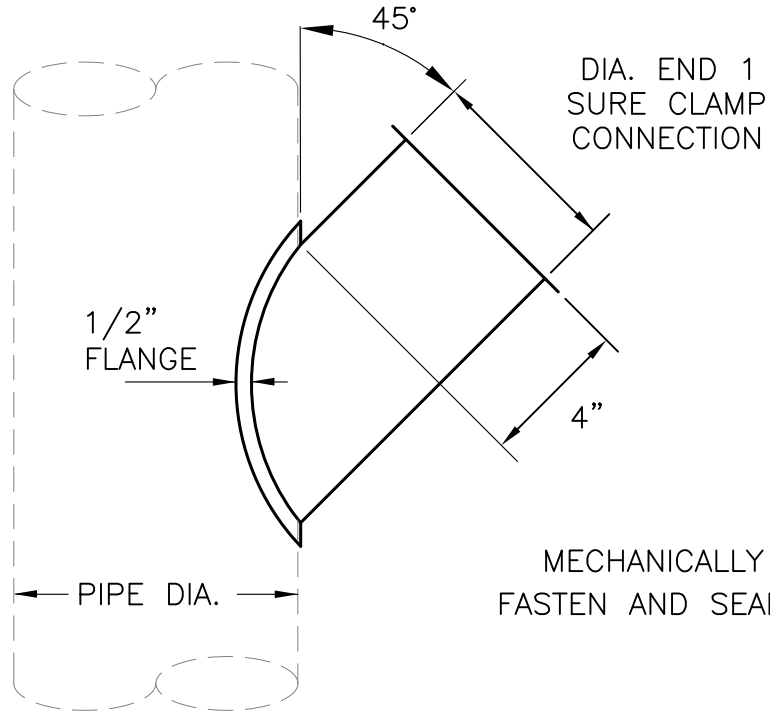
SUBMITTAL

SURE • CLAMP SPIRAL FITTINGS

(PATENTED)

#67 FIELD MOUNTED LATERAL TAP

*SPECIFY
CUSTOM DEGREE



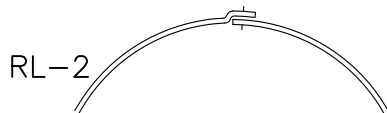
SYSTEM NUMBER/AREA : _____
MATERIAL/STATIC WG : _____

TAG	QTY.	DIA. END 1	PIPE DIA.
_____	_____	_____	_____
_____	_____	_____	_____
_____	_____	_____	_____
_____	_____	_____	_____
_____	_____	_____	_____
_____	_____	_____	_____
_____	_____	_____	_____
_____	_____	_____	_____
_____	_____	_____	_____
_____	_____	_____	_____

FABRICATE IN ACCORDANCE WITH
SMACNA DUCT CONSTRUCTION STANDARDS

TRANSVERSE JOINT
SURE CLAMP

LONGITUDINAL SEAMS
LAP, SPOTWELD AND SEAL



STANDARD SIZES 4"Ø THRU 22"Ø

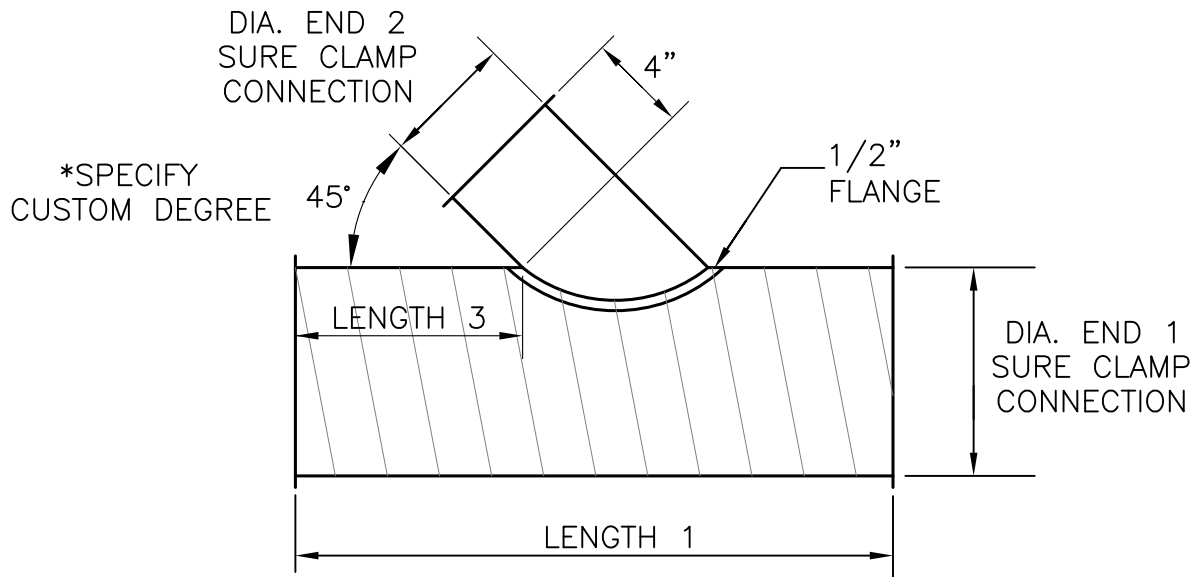
www.langdonsheetmetal.com

SUBMITTAL

SURE • CLAMP SPIRAL FITTINGS

(PATENTED)

#54S LATERAL SHOP MOUNTED

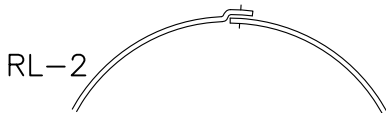


SYSTEM NUMBER/AREA :	TAG	QTY.	DIA. END 1	DIA. END 2	LENGTH 1	LENGTH 3
MATERIAL/STATIC WG :						

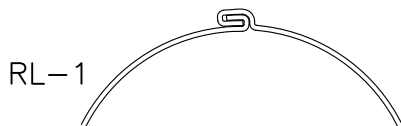
FABRICATE IN ACCORDANCE WITH
SMACNA DUCT CONSTRUCTION STANDARDS

TRANSVERSE JOINT
SURE CLAMP

LATERAL LONGITUDINAL SEAM
LAP, SPOTWELD AND SEAL



BODY LONGITUDINAL SEAM
SPIRAL SEAM

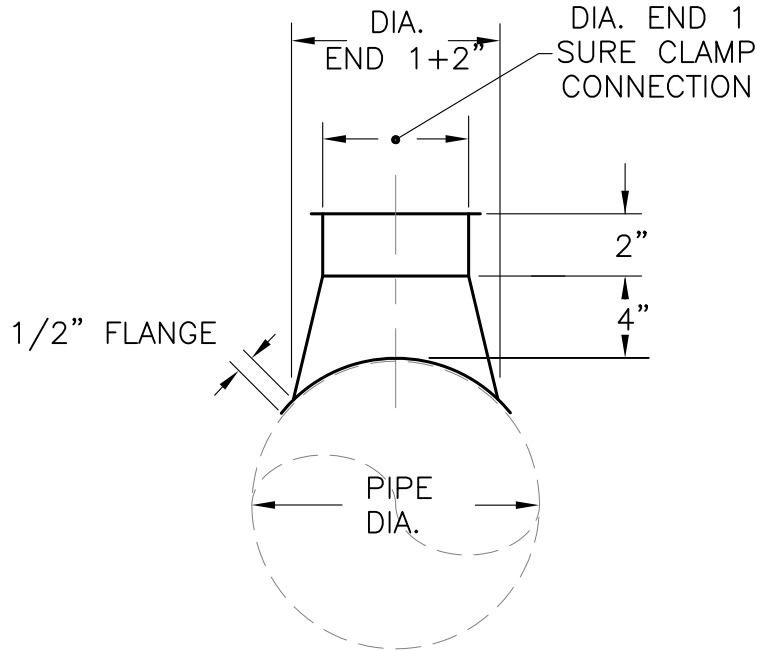


STANDARD SIZES 4"Ø THRU 22"Ø

www.langdonsheetmetal.com

SUBMITTAL SURE • CLAMP SPIRAL FITTINGS (PATENTED)

#56T CONICAL TAP ON ROUND



SYSTEM NUMBER/AREA : _____
MATERIAL/STATIC WG : _____

TAG

QTY.

DIA. END 1

PIPE DIA.

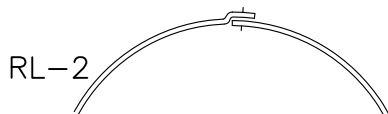
FABRICATE IN ACCORDANCE WITH
SMACNA DUCT CONSTRUCTION STANDARDS

TRANSVERSE JOINT

SURE CLAMP

LONGITUDINAL SEAMS

LAP, SPOTWELD AND SEAL



STANDARD SIZES 4"Ø THRU 22"Ø

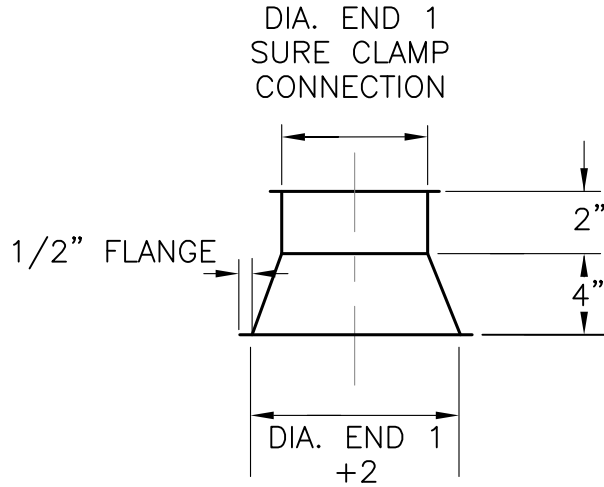
TAG	QTY.	DIA. END 1	PIPE DIA.
_____	_____	_____	_____
_____	_____	_____	_____
_____	_____	_____	_____
_____	_____	_____	_____
_____	_____	_____	_____
_____	_____	_____	_____
_____	_____	_____	_____
_____	_____	_____	_____
_____	_____	_____	_____
_____	_____	_____	_____

SUBMITTAL

SURE • CLAMP SPIRAL FITTINGS

(PATENTED)

#57T CONICAL TAP ON RECTANGULAR DUCTWORK



	<u>TAG</u>	<u>QTY.</u>	<u>DIA. END 1</u>
SYSTEM NUMBER/AREA : _____			
MATERIAL/STATIC WG : _____			
FABRICATE IN ACCORDANCE WITH SMACNA DUCT CONSTRUCTION STANDARDS			
<u>TRANSVERSE JOINT</u> SURE CLAMP			
<u>LONGITUDINAL SEAMS</u> LAP, SPOTWELD AND SEAL			
RL-2			
STANDARD SIZES 4"∅ THRU 22"∅			

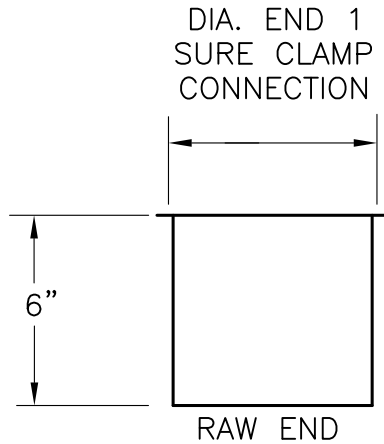
www.langdonsheetmetal.com

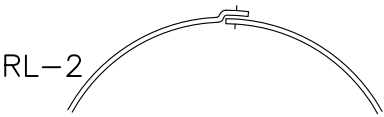
SUBMITTAL

SURE • CLAMP SPIRAL FITTINGS

(PATENTED)

#100C EQUIPMENT COLLAR-(HOODS, AIR VALVES, ECT.)



	<u>TAG</u>	<u>QTY.</u>	<u>DIA. END 1</u>
SYSTEM NUMBER/AREA : _____	_____	_____	_____
MATERIAL/STATIC WG : _____	_____	_____	_____
FABRICATE IN ACCORDANCE WITH SMACNA DUCT CONSTRUCTION STANDARDS	_____	_____	_____
<u>TRANSVERSE JOINT</u> SURE CLAMP	_____	_____	_____
<u>LONGITUDINAL SEAMS</u> LAP, SPOTWELD AND SEAL	_____	_____	_____
RL-2 	_____	_____	_____
STANDARD SIZES 4"Ø THRU 22"Ø	_____	_____	_____
	_____	_____	_____
	_____	_____	_____

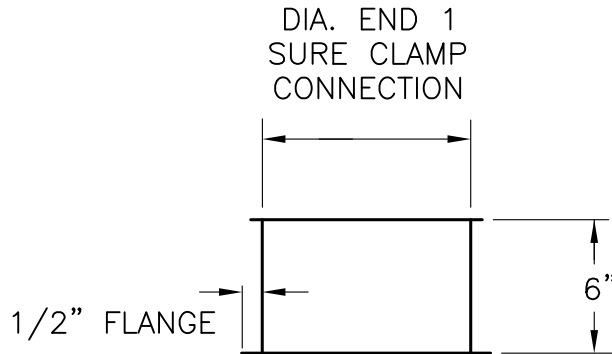
www.langdonsheetmetal.com

SUBMITTAL

SURE • CLAMP SPIRAL FITTINGS

(PATENTED)

#100T FIELD MOUNTED STRAIGHT TAP ON RECTANGULAR



SYSTEM NUMBER/AREA : _____
 MATERIAL/STATIC WG : _____

TAG QTY. DIA. END 1

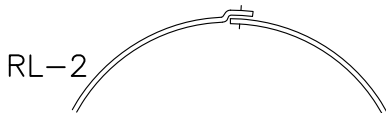
FABRICATE IN ACCORDANCE WITH
 SMACNA DUCT CONSTRUCTION STANDARDS

TRANSVERSE JOINT

SURE CLAMP

LONGITUDINAL SEAMS

LAP, SPOTWELD AND SEAL



STANDARD SIZES 4"Ø THRU 22"Ø

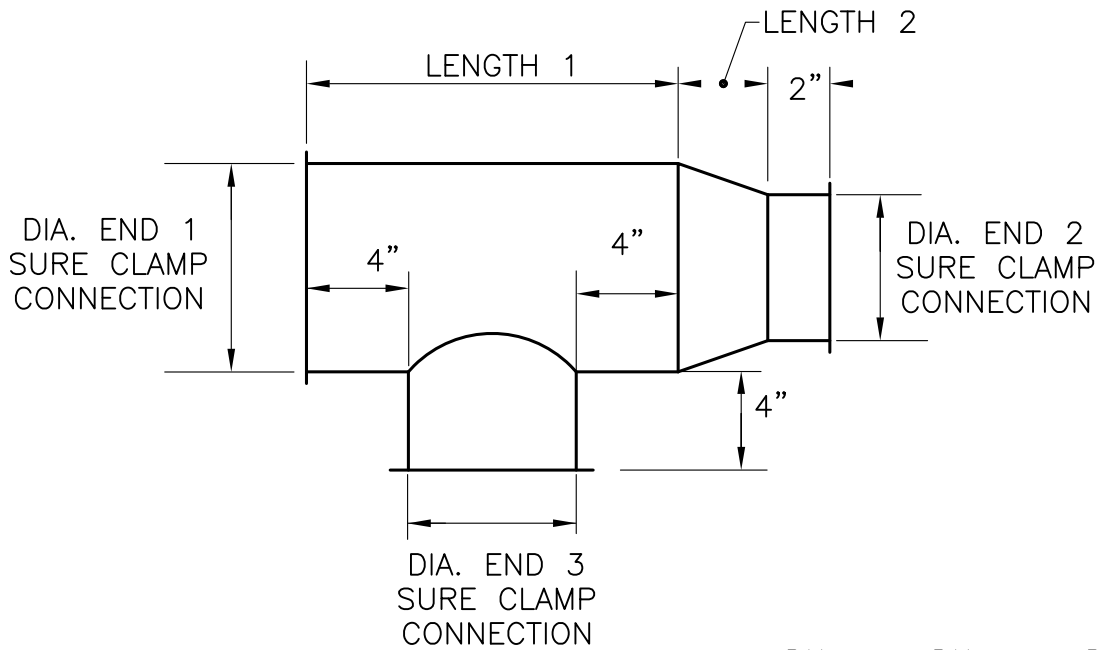
www.langdonsheetmetal.com

SUBMITTAL

SURE • CLAMP SPIRAL FITTINGS

(PATENTED)

#65 CONCENTRIC REDUCING TEE 90 DEGREE

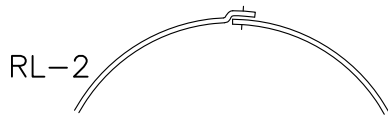


	<u>TAG</u>	<u>QTY.</u>	<u>DIA.</u> <u>END 1</u>	<u>DIA.</u> <u>END 2</u>	<u>DIA.</u> <u>END 3</u>
SYSTEM NUMBER/AREA : _____	_____	_____	_____	_____	_____
MATERIAL/STATIC WG : _____	_____	_____	_____	_____	_____

FABRICATE IN ACCORDANCE WITH
SMACNA DUCT CONSTRUCTION STANDARDS

TRANSVERSE JOINT
SURE CLAMP

LONGITUDINAL SEAMS
LAP, SPOTWELD AND SEAL



LENGTH 1
END 3 + 8"

LENGTH 2 (4" MINIMUM)
END 1 - END 2

STANDARD SIZES 4"Ø THRU 22"Ø

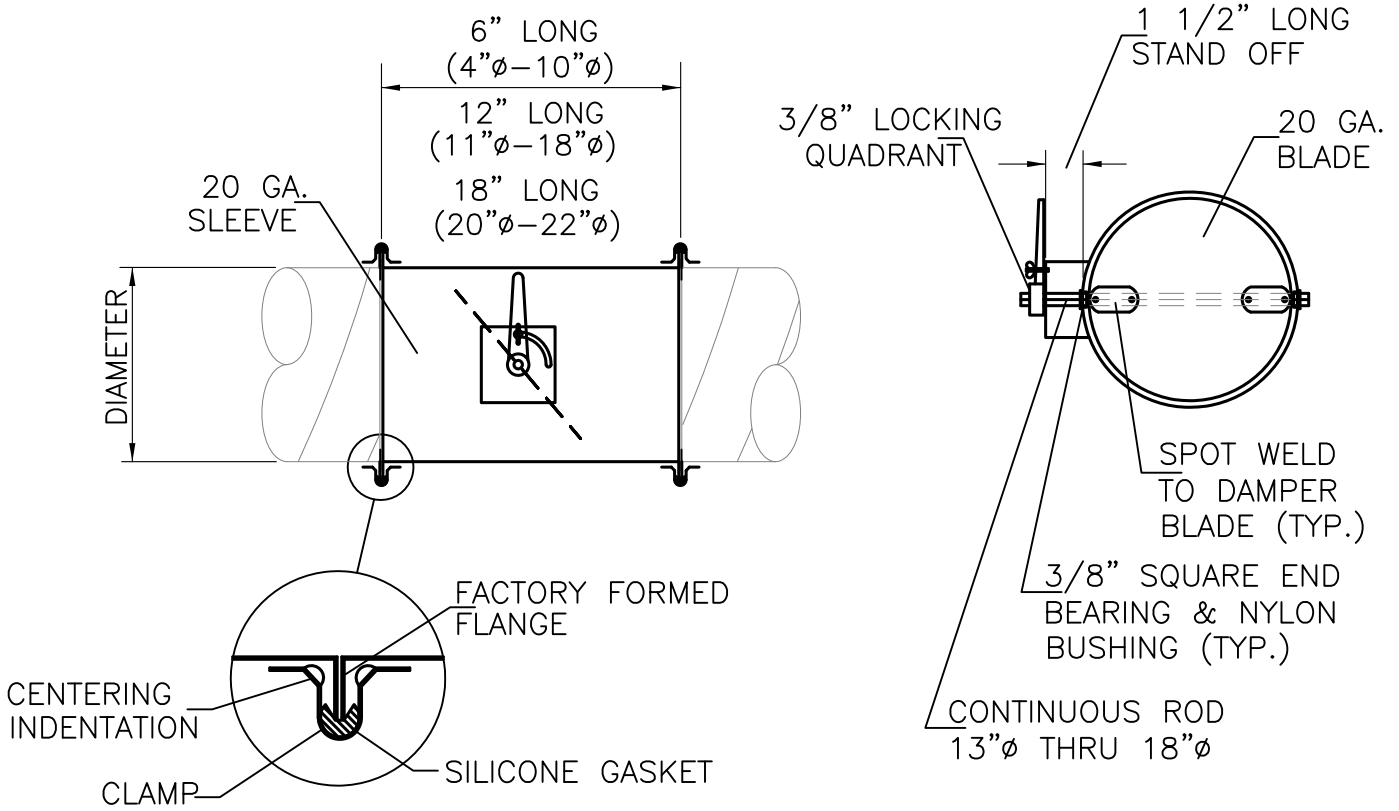
www.langdonsheetmetal.com

SUBMITTAL

SURE • CLAMP SPIRAL FITTINGS

(PATENTED)

#100VD MANUAL VOLUME DAMPER 4"φ TO 18"φ



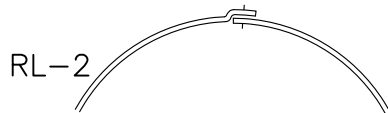
SYSTEM NUMBER/AREA : _____
 MATERIAL/STATIC WG : _____

TAG	QTY.	DIAMETER
_____	_____	_____
_____	_____	_____
_____	_____	_____
_____	_____	_____
_____	_____	_____
_____	_____	_____
_____	_____	_____
_____	_____	_____
_____	_____	_____
_____	_____	_____
_____	_____	_____
_____	_____	_____
_____	_____	_____

FABRICATE IN ACCORDANCE WITH
 SMACNA DUCT CONSTRUCTION STANDARDS

TRANSVERSE JOINT
 SURE CLAMP

LONGITUDINAL SEAMS
 LAP, SPOTWELD AND SEAL



STANDARD SIZES 4"φ THRU 22"φ

www.langdonsheetmetal.com