

# Sure-Clamp Spiral™

Part of the Solution

**REDUCES INSTALLATION COSTS • LOWERS ENERGY COSTS • HELPS MAINTAIN A SAFER, MORE COMFORTABLE AND ENERGY EFFICIENT WORK ENVIRONMENT**

## Product Overview

Our new (patent-pending) connection is constructed using a precision fabricated clamp with a silicone sponge gasket and zinc coated latch. With Sure-Clamp Spiral, complete systems can be installed with ease and taken apart and reassembled just as easy, imagine a ductwork system that can be maintained or changed at a low cost to your customer. Assembly is simple and reliable, simply place the sections together, slide the clamp in place over the flange and clamp shut. Fittings assemble just as easy and there is no messy sealer to apply. Sure-Clamp Spiral has many applications, such as HVAC, Dust, Fume and Dryer Vent systems. Langdon fabricates ductwork to SMACNA construction standards as well as specialty systems. Sure-Clamp Spiral is available in galvanized, galvalume and stainless steel in even and odd sizes from 3" to 22". Sure-Clamp is also available in longitudinal seam ductwork.

## Sure-Clamp Spiral Benefits:

- A Leaky ductwork system can reduce your efficiency. With Sure-Clamp Spiral a gasketed clamping system you can increase efficiency and lower your energy costs.
- Fumes, insulation particles and dust can enter your duct system, aggravating allergy problems. Sure-Clamp Spiral a gasketed clamping system can help improve indoor air quality by reducing the risk of pollutants entering the ductwork.

## SMACNA HVAC Duct Construction Standards

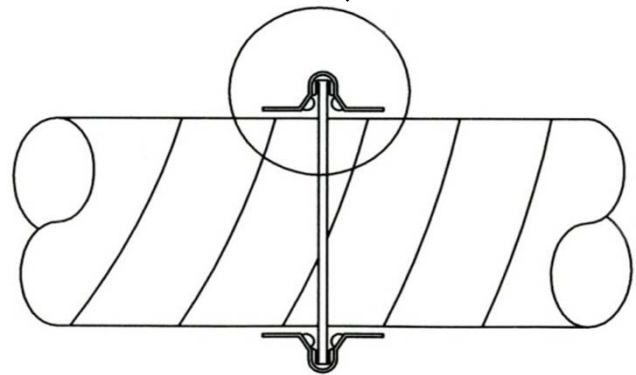
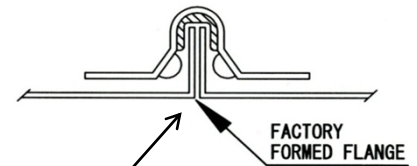
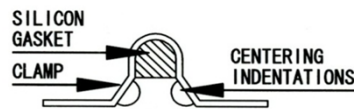
- No sealer is required on systems below 2" W.G., except for upstream of VAV systems.
- Leakage testing is not recommended for systems rated at 3" W.G. and below.

**A duct system that is properly sealed can make your work environment safer, more comfortable and energy efficient.**

Positive Pressure to 10" W.G.		
Negative Pressure to 20" W.G.		
Diameter	Galvanized	Stainless
3"	24 Gauge	24 Gauge
4" - 12"	22 Gauge	24 Gauge
13" - 22"	20 Gauge	22 Gauge



### Standard Gasketed Clamp Profile



## SPIRAL DUCTWORK

Typical HVAC spiral ductwork is fabricated with a slip connection, after field assembly of spiral pipe and fittings duct sealer is applied to the connection. *Langdon can reduce installation costs by eliminating a sometime difficult slip connection and sealing requirements, with the ease and speed of our clamping system, simply place the sections together, slide the clamp in place over the flange and clamp shut. Our gasketed clamping system will give you a sealed system, finished look for exposed areas and allow future removal of ductwork for inspection or cleaning of system.*

When power plants burn fossil fuels to make electricity, they release greenhouse gases. By using Sure-Clamp Spiral (a self-sealing ductwork system) your heating and cooling system will use less energy and can help reduce these emissions.

[www.langdonsheetmetal.com](http://www.langdonsheetmetal.com)