

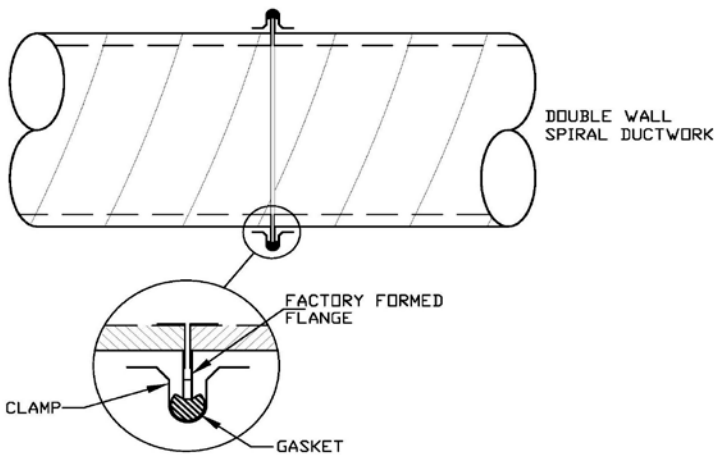
# Sure-Clamp Double Wall Spiral™

## Product Overview

Sure-Clamp Double Wall Spiral, a clamp together ductwork system that reduces installation cost. Our new (patent-pending) connection is constructed using a precision fabricated clamp with a neoprene sponge gasket. With Sure-Clamp Double Wall Spiral, complete systems can be installed with ease and taken apart and reassembled just as easy, imagine a ductwork system that can be maintained or changed at a low cost to your customer. Langdon fabricates ductwork to SMACNA construction standards. Sure-Clamp Double Wall Spiral is available in galvanized, galvanneal, stainless steel and aluminum in even and odd sizes from 3" to 22".

## Assembly is simple and reliable.

Simply place the sections together, slide the clamp in place over the flange and clamp shut. Fittings assemble just as easy and there is no messy sealer to apply, simply nothing else to do except move on to the next piece.



Galvanized  
Spiral Gauge Chart

Spiral Size	Solid Outer Shell	Solid or Perforated Inner Liner
3"	26-24 Gauge	26 Gauge
4" to 12"	26-22 Gauge	26 Gauge
13" to 22"	26-20 Gauge	26 Gauge

## The Benefit of Sure-Clamp Double Wall Spiral is a quality product at a cost effective price.

Typical HVAC double wall spiral is fabricated with an inner and outer slip connection, after field assembly of spiral pipe and fittings duct sealer is applied to the outer connection. Langdon can reduce installation costs by eliminating a sometime difficult inner and outer connection and sealing requirements, with the ease and speed of our clamping system. Simply place the sections together, slide the clamp in place over the flange and clamp shut. Our clamping system will give you a finished look for exposed areas and allow future removal of ductwork for inspection or cleaning of system.

[www.langdonsheetmetal.com](http://www.langdonsheetmetal.com)