

Sure-Clamp Spiral™

Dust Collector and Exhaust Systems

Product Overview

Sure-Clamp Spiral, a clamp together ductwork system that reduces installation cost. Our new (patent-pending) connection is constructed using a precision fabricated clamp with a neoprene sponge gasket. With Sure-Clamp Spiral, complete systems can be installed with ease and taken apart and reassembled just as easy, imagine a ductwork system that can be maintained or changed at a low cost to your customer. Sure-Clamp Spiral has many applications, such as Dust, Fume and HVAC systems. Langdon fabricates ductwork to SMACNA construction standards as well as specialty systems. Sure-Clamp Spiral is available in galvanized, galvaneal, stainless steel and aluminum in even and odd sizes from 3" to 22". Sure-Clamp is also available in longitudinal seam ductwork.

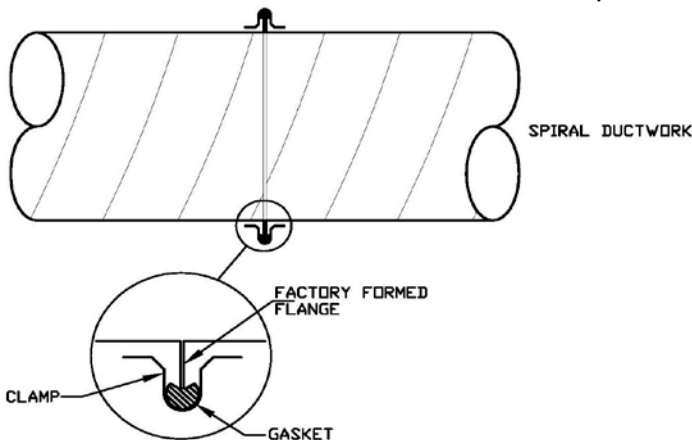
Assembly is simple and reliable.

Simply place the sections together, slide the clamp in place over the flange and clamp shut. Fittings assemble just as easy and there is no messy sealer to apply, simply nothing else to do except move on to the next piece.



Spiral Seam

Longitudinal-Seam



Galvanized
Spiral Gauge Chart

Spiral Size	Gauge
3"	26-24 Gauge
4" to 12"	26-22 Gauge
13" to 22"	26-20 Gauge

The Benefit of Sure-Clamp Spiral is a quality product at a cost effective price.

Typical ductwork clamping systems are fabricated from 5'-0" longitudinal-seam ductwork which requires more fabrication hours, clamps and heavier gauge metal than 10'-0" spiral ductwork to meet required construction pressure class. Langdon can reduce fabrication costs by utilizing 10'-0" spiral ductwork, lighter metal gauges and less clamps, installation cost is reduced by the ease and speed of clamping 10'-0" ductwork sections together. Our clamping system will give you a finished look for exposed areas and allow for future removal of ductwork for inspection or cleaning of system.

www.langdonsheetmetal.com