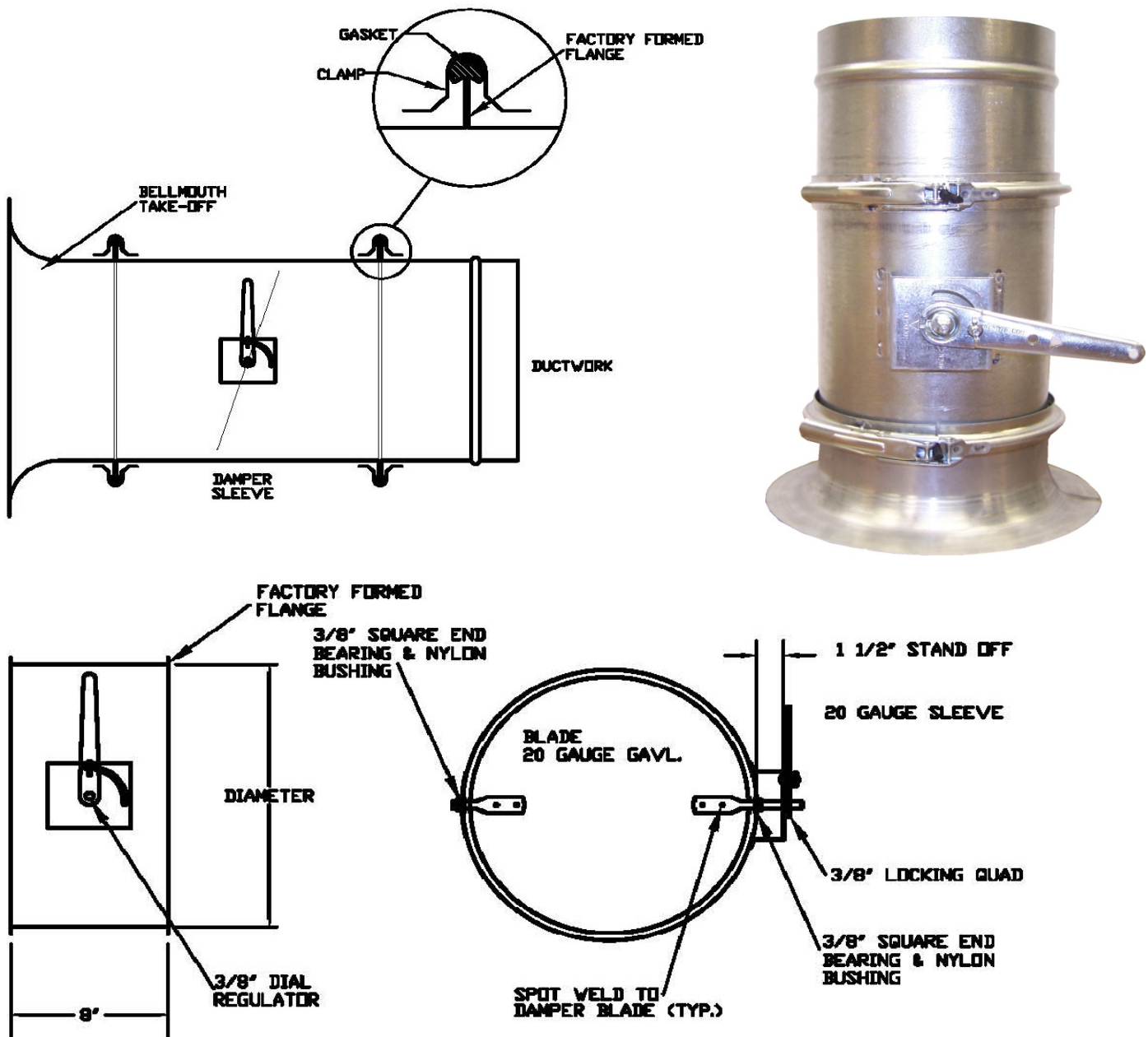


Sure-Clamp Take Off Damper

The benefits of Sure-Clamp Take Off Damper is a quality product at a cost effective price.

Product Overview

Langdon's Sure Clamp Take Off Damper is a high efficiency take off that is fabricated using a bell mouth tap collar. Our medium duty manual balancing damper and sleeve is constructed of 20 GA galvanized metal with 3/8" end bearings and nylon bushing, this will reduce air leakage and minimize damper vibration. The 1-1/2" standoff on dampers sleeve allow access to the heavy duty locking dial regulator after ductwork is externally insulated. Our clamping system will give you a finished look for exposed areas and allow future removal of the damper for inspection and or cleaning of the ductwork system. Sure-Clamp and TDC connection can also be used together for other components in the ductwork system. Sure Clamp Take Off Dampers are available in galvanized, galvalume, stainless steel and aluminum in even and odd sizes from 6" to 22"



www.langdonsheetmetal.com