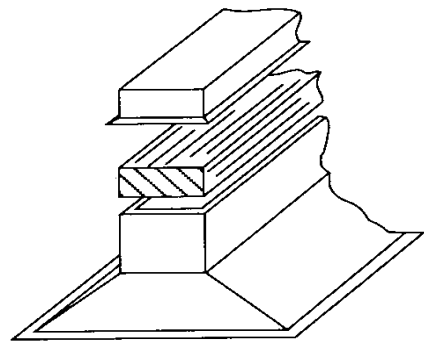
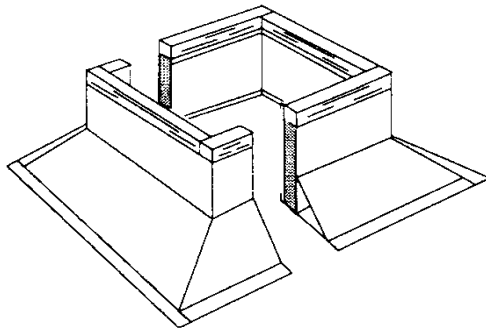
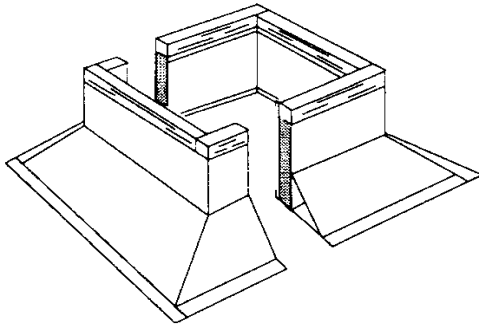




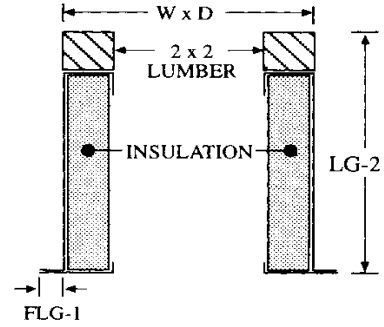
Curbs & Equipment Supports



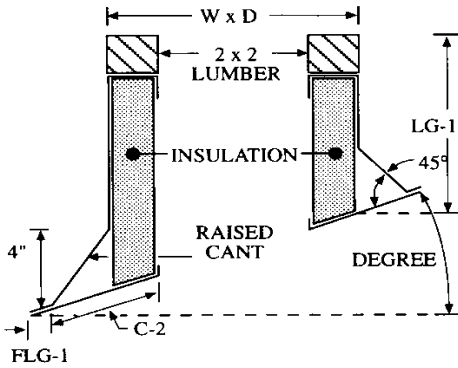
9865 WAYNE AVENUE • CINCINNATI, OHIO 45215
PHONE (513) 733-5955 FAX (513) 733-8050



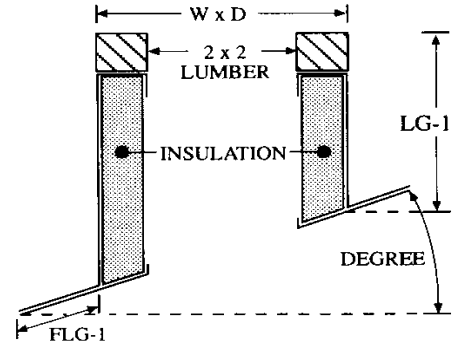
**INSULATED ROOF CURB
(ISOMETRIC VIEW)**



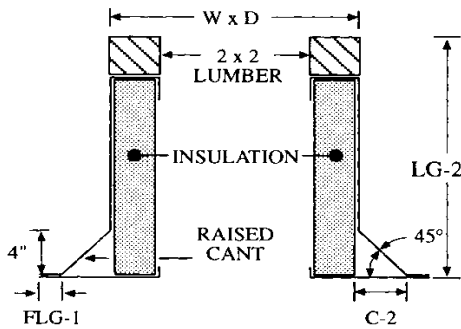
**INSULATED ROOF CURB
(NO CANT)**



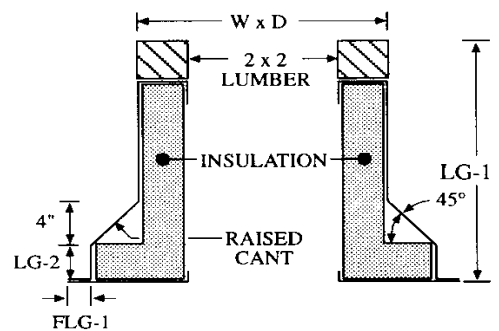
**INSULATED ROOF CURB
(FOR PITCHED ROOFS WITH CANT)**



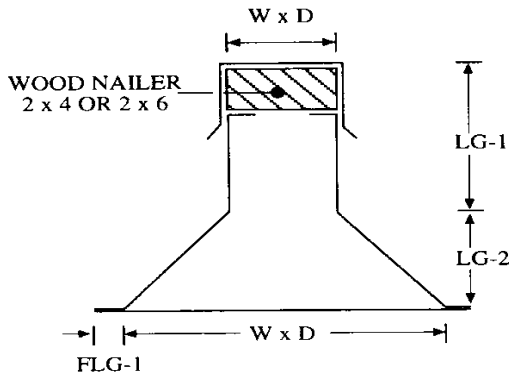
**INSULATED ROOF CURB
(FOR PITCHED ROOFS-NO CANT)**



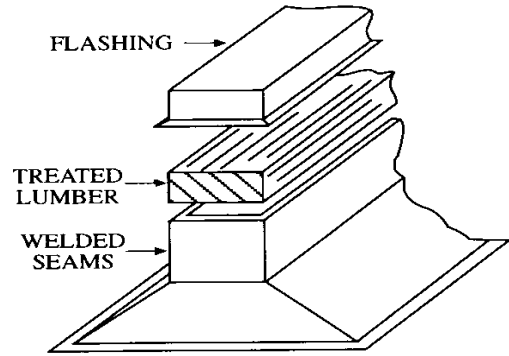
**INSULATED ROOF CURB
(FOR NON - INSULATED ROOFS)**



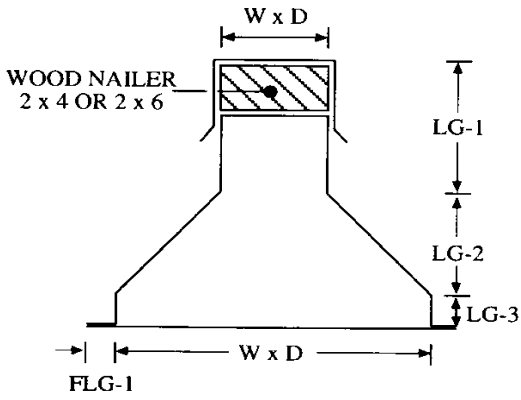
**INSULATED ROOF CURB
(FOR INSULATED ROOFS)**



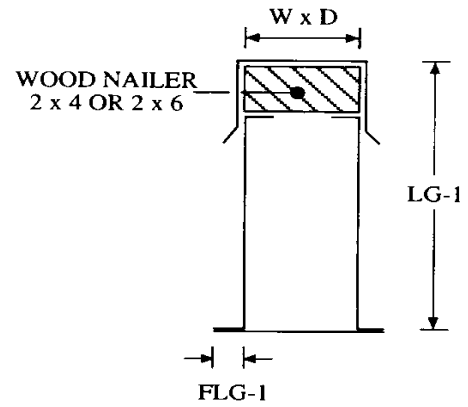
**INSULATED ROOF CURB
(NON - INSULATED ROOF DECK)**



EQUIPMENT SUPPORT



**EQUIPMENT SUPPORT
(FOR INSULATED ROOF DECKS)**



**EQUIPMENT SUPPORT
(NO CANT)**